

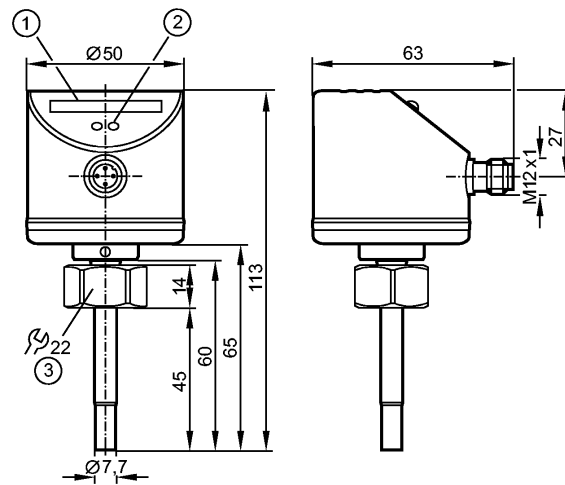


SI5000

SID10ABBFPKG/US-100



Flow sensors



- 1: LED display
- 2: setting pushbutton
- 3: tightening torque 25 Nm



Product characteristics

Flow monitor

Compact type for adapter

Process connection: internal thread M18 x 1.5 for adapter

Probe length: 45 mm

Setting range: 3...300 cm/s (liquids)

Application

Application: liquids and gases

Pressure rating [bar]: 30

Medium temperature [°C]: -25...80

Electrical data

Electrical design: DC PNP

Operating voltage [V]: 19...36 DC

Current consumption [mA]: < 60

Protection class: III

Reverse polarity protection: yes

Outputs

Output function: normally open / closed programmable

Current rating [mA]: 250

Voltage drop [V]: < 2.5

Short-circuit protection: pulsed

Overload protection: yes

Measuring / setting range

Liquids

Setting range [cm/s]: 3...300

Greatest sensitivity [cm/s]: 3...100

Gases

Setting range [cm/s]: 200...3000

Greatest sensitivity [cm/s]: 200...800



SI5000

SID10ABBFPGK/US-100



Flow sensors

Accuracy / deviations

| | | |
|-------------------------------------|--------------|----------------------|
| Switch point accuracy | [cm/s] | $\pm 2... \pm 10$ *) |
| Hysteresis | [cm/s] | 2...5 *) |
| Repeatability | [cm/s] | 1...5 *) |
| Temperature drift | [cm/s x 1/K] | 0.1 **) |
| Max. temperature gradient of medium | [K/min] | 300 |

Reaction times

| | | |
|---------------------|-----|--------|
| Power-on delay time | [s] | 10 |
| Response time | [s] | 1...10 |

Software / programming

| | | |
|--------------------------------|--|-------------|
| Adjustment of the switch point | | pushbuttons |
|--------------------------------|--|-------------|

Environment

| | | |
|---------------------|------|-----------|
| Ambient temperature | [°C] | -25...80 |
| Storage temperature | [°C] | -25...100 |
| Protection | | IP 67 |

Tests / approvals

| | | |
|----------------------|---------|--|
| EMC | | EN 61000-4-2 ESD: 4 kV CD / 8 kV AD EN 61000-4-3 HF radiated: 10 V/m EN 61000-4-4 Burst: 2 kV EN 61000-4-6 HF conducted: 10 V |
| Shock resistance | | DIN IEC 68-2-27: 50 g (11 ms) |
| Vibration resistance | | DIN EN 60068-2-6 20 g (55...2000 Hz) |
| MTTF | [Years] | 298 |

Mechanical data

| | | |
|--------------------------|------|--|
| Process connection | | internal thread M18 x 1.5 for adapter |
| Materials (wetted parts) | | stainless steel 316L / 1.4404; O-ring: FKM 8 x 1.5 gr 80° Shore A |
| Housing materials | | stainless steel 316L / 1.4404; stainless steel / 301 / 1.4310; PC (polycarbonate); PBT-GF 20; EPDM/X |
| Probe length L | [mm] | 45 |
| Weight | [kg] | 0.235 |

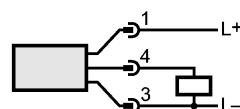
Displays / operating elements

| | | |
|------------------|-----|-----------------------|
| Function display | LED | 10 LEDs, three-colour |
|------------------|-----|-----------------------|

Electrical connection

| | | |
|------------|--|---------------|
| Connection | | M12 connector |
|------------|--|---------------|

Wiring



Remarks

| | | |
|---------------|---------|--|
| Remarks | | *) for water; 5...100 cm/s; 25°C (factory setting) **) for water; 5...100 cm/s; 10...70°C |
| Pack quantity | [piece] | 1 |



SI5000

SID10ABBFPKG/US-100



Flow sensors