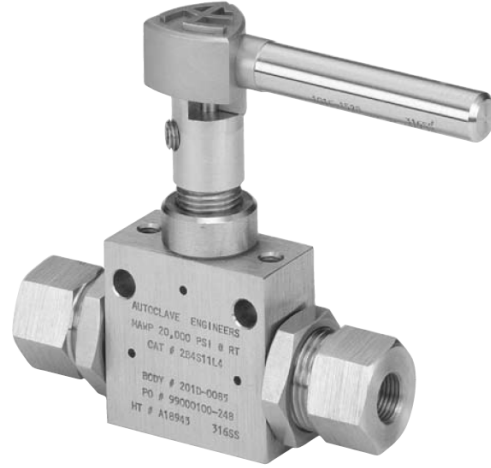


Ball Valves - 2-Way Series (1/4" Orifice)

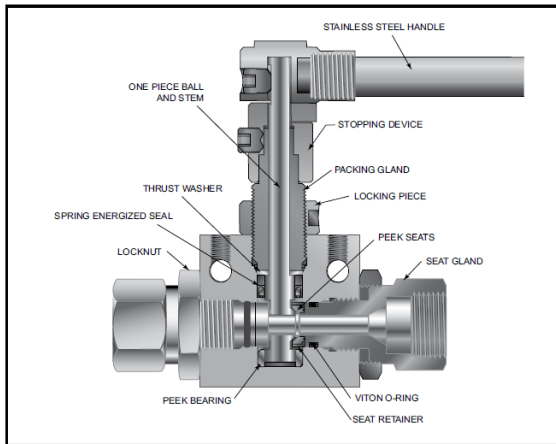
Pressures to 20,000 psi (1379 bar) .250" (6.35mm) Orifice

Connection	MAWP @ Room Temperature	Minimum Orifice inches(mm)
W125	15,000 psi (1034 bar)	.094 (2.39)
SW250	15,000 psi (1034 bar)	.128 (3.25)
SW375	15,000 psi (1034 bar)	.250 (6.35)
SW500	10,000 psi (690 bar)	.250 (6.35)
SF250CX20	20,000 psi (1379 bar)	.109 (2.77)
SF375CX20	20,000 psi (1379 bar)	.203 (5.16)
SF562CX20	20,000 psi (1379 bar)	.250 (6.35)
F250C	20,000 psi (1379 bar)	.094 (2.39)
F375C	20,000 psi (1379 bar)	.125 (3.17)
F562C	20,000 psi (1379 bar)	.188 (4.77)
1/8" NPT	15,000 psi (1034 bar)	.250 (6.35)
1/4" NPT	15,000 psi (1034 bar)	.250 (6.35)
3/8" NPT	15,000 psi (1034 bar)	.250 (6.35)
1/2" NPT	15,000 psi (1034 bar)	.250 (6.35)

Valve C_v=1.51

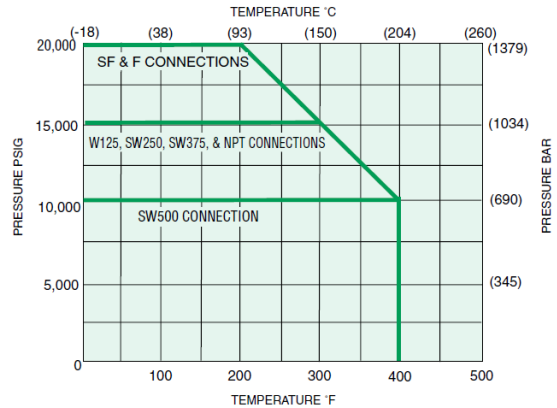


MAWP: Maximum Allowable Working Pressure
C_v listed is for maximum orifice size of .250 inches only.
Consult factory for C_v of valves with reduced orifice sizes.



NOTE: Ball valves are not recommended for critical gas applications such as Hydrogen, Helium or other small molecular gases.

PRESSURE TEMPERATURE RATINGS

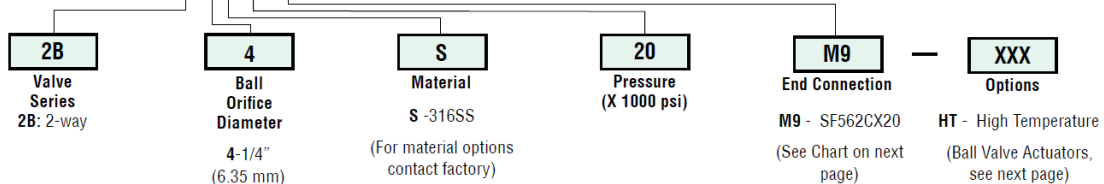


*pressure ratings are determined by the end connections chosen, see chart.

Ordering Procedure

For complete information on available end connections and material options, see next page. 2-way ball valves are furnished complete with tube or pipe connections.

Typical catalog number: **2B 4 S 20 M9**



End Connection Options

Catalog Number	End Connection Number	Connection	MAWP @ Room Temperature	Seat Gland Hex Inches(mm)
2B4S15L2	L2	W125	15,000 psi (1034 bar)	1 (25.40)
2B4S15L4	L4	SW250	15,000 psi (1034 bar)	1 (25.40)
2B4S15L6	L6	SW375	15,000 psi (1034 bar)	1 (25.40)
2B4S10L8	L8	SW500	10,000 psi (690 bar)	1 (25.40)
2B4S20M4	M4	SF250CX20	20,000 psi (1379 bar)	1 (25.40)
2B4S20M6	M6	SF375CX20	20,000 psi (1379 bar)	1 (25.40)
2B4S20M9	M9	SF562CX20	20,000 psi (1379 bar)	1 (25.40)
2B4S20H4	H4	F250C	20,000 psi (1379 bar)	1 (25.40)
2B4S20H6	H6	F375C	20,000 psi (1379 bar)	1 (25.40)
2B4S20H9	H9	F562C	20,000 psi (1379 bar)	1.38 (35.05)
2B4S15P2	P2	1/8" NPT	15,000 psi (1034 bar)	1 (25.40)
2B4S15P4	P4	1/4" NPT	15,000 psi (1034 bar)	1 (25.40)
2B4S15P6	P6	3/8" NPT	15,000 psi (1034 bar)	1 (25.40)
2B4S15P8	P8	1/2" NPT	15,000 psi (1034 bar)	1.38 (35.05)

MAWP: Maximum Allowable Working Pressure

See ball valve option/details section for end connection details, material, and high temperature options.

Ball Valve Options

Pneumatic Actuator

- AO - Air-to-open/spring to close
- AC - Air-to-close/spring to open
- AOC - Air-to-open-and-close (double action)

Electric Actuator

- EO1 - 120 volt AC 50/60 Hz
- EO2 - 220 volt AC 50/60 Hz
- EO3 - 24 VDC

Actuator Operating Temperature:

- Pneumatic: -20°F to 175°F (-29°C to 79°C)
- Electric: -20°F to 160°F (-29°C to 71°C)

High Temperature Option:

- HT - for media temperature up to 500°F (260°C)

See ball valve actuator section for full description, additional information, and options.

Valve Maintenance

Repair Kits: add "R" to the front of valve catalog first 4 numbers for proper repair kit.
(Example: **R2B4S**)

Consult your Autoclave representative for pricing on repair kits. Refer to the Operation and Maintenance manual for proper maintenance procedures.