

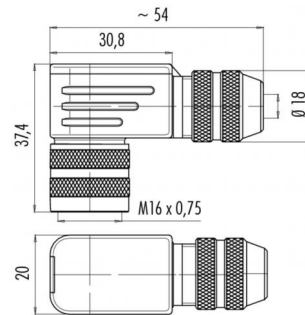
Product description **Contacts: 7, female angled connector, shieldable, cable outlet 6 - 8 mm, silver plated contacts, UL approval**

Area **M16 IP67 Series 423**  
 Order number **99 5626 75 07**

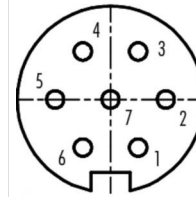
**Illustration**



**Scale drawing**

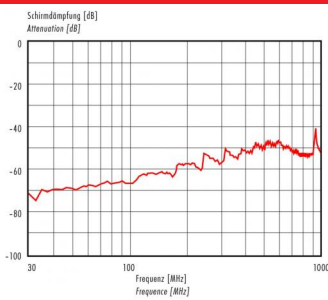


**Contact arrangement**



	X	Y
1	1,75	-3,03
2	3,50	0,00
3	1,75	3,03
4	-1,75	3,03
5	-3,50	0,00
6	-1,75	-3,03
7	0,00	0,00

**Attenuation characteristics**



**You can find the component part drawing and assembly instructions on the next page.**

**Technical data**

**General values**

Connector design female angled connector  
 Connector locking system bolted  
 Termination solder  
 Wire gauge (mm) 0,75 mm<sup>2</sup>  
 Wire gauge (AWG) 20  
 Cable outlet 6,0 - 8,0 mm  
 Upper limit temperature 95 °C  
 Lower limit temperature -30 °C

**Cable data**

Approval 1 UL

**Electrical values**

Rated voltage 125 V  
 Rated impulse voltage 800 V  
 Pollution degree 1  
 Overvoltage category I  
 Insulating material group III  
 Rated current (40 °C) 5 A  
 Volume resistivity ≤ 5 mΩ  
 EMC compliance shieldable  
 Degree of protection IP67  
 Mechanical operation > 500 Mating cycles

**Material**

Contact material CuSn (bronze)  
 Contact plating Ag (silver)  
 Contact body material PBT (UL 94 V-0)

Product description

**Contacts: 7, female angled connector, shieldable, cable outlet 6 - 8 mm, silver plated contacts, UL approval**

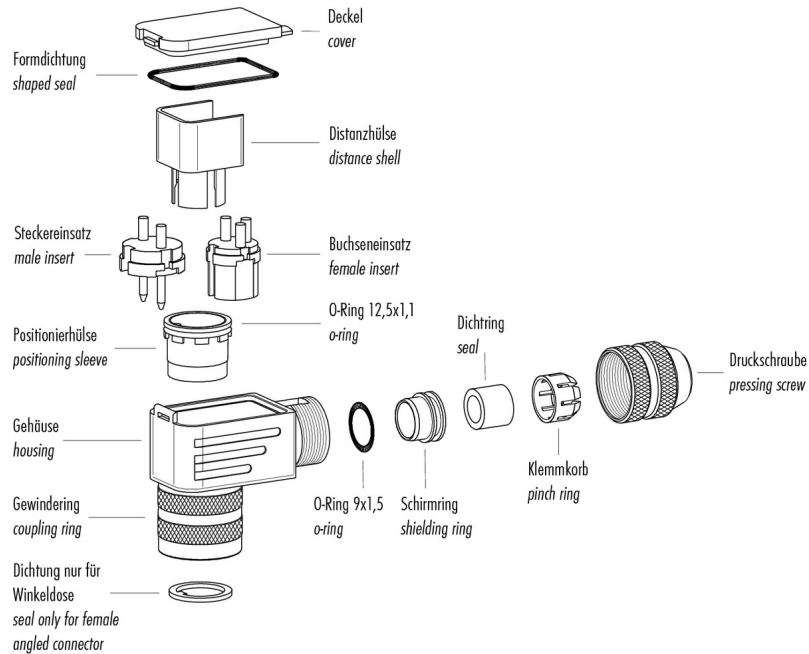
Area

**M16 IP67 Series 423**

Order number

**99 5626 75 07**

### Component part drawing



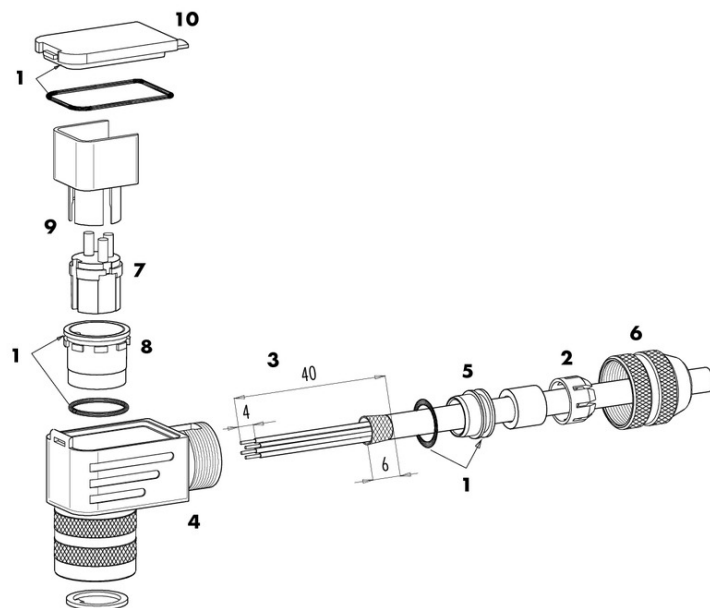
### Assembly instructions / Panel cut-out

**Winkelversion**

1. Dichtungen montieren (3x).
2. Kabelteile auffädeln.
3. Kabel und Schirm abmanteln.
4. Litzen durch das Gehäuse fädeln.
5. Schirmring, Klemmkorb montieren.
6. Druckschraube leicht andrehen.
7. Litzen an Kontakteinsatz löten.
8. Verdrehhülse in Winkelstellung montieren.
9. Kontakteinsatz, Distanzhülse einsetzen.
10. Deckel einhaken.
11. Druckschraube festziehen (100 cNm).

**Angled version**

1. Assemble sealing rings (3x).
2. Bead cable parts.
3. Dismantle cable and shielding braid.
4. Push single wires through housing.
5. Mount shielding ring and pinch ring.
6. Slightly fix pressing screw.
7. Solder wires to insert.
8. Mount positioning sleeve in angled position.
9. Put in insert and distance sleeve.
10. Mount lid.
11. Fix pressing screw (100 cNm).



Product description **Contacts: 7, female angled connector, shieldable, cable outlet 6 - 8 mm, silver plated contacts, UL approval**

Area **M16 IP67 Series 423**  
Order number **99 5626 75 07**

## Sicherheitshinweise

The connector must not be connected or separated under load. Non-observance and incorrect use can result in personal injury.

The connectors are designed for use in plant, control system and electrical equipment. The end user is responsible for checking whether the connectors are suitable for use in other applications.

Connectors used in electrical circuits containing hazardous life parts must only be assembled and used by or under the supervision of persons with the requisite electrotechnical training, taking the applicable regulations and standards into account.

Connectors with degree of protection IP 67 and IP 68 are not suitable for use under water. When used outdoors, the connectors must be separately protected against corrosion. For further information about IP degrees of protection refer to 'Technical support' in the Download Centre.

To lock the cable connector to the equipment connector, the threaded ring is tightened until it is 'finger-tight' (approx. 50 cNm).