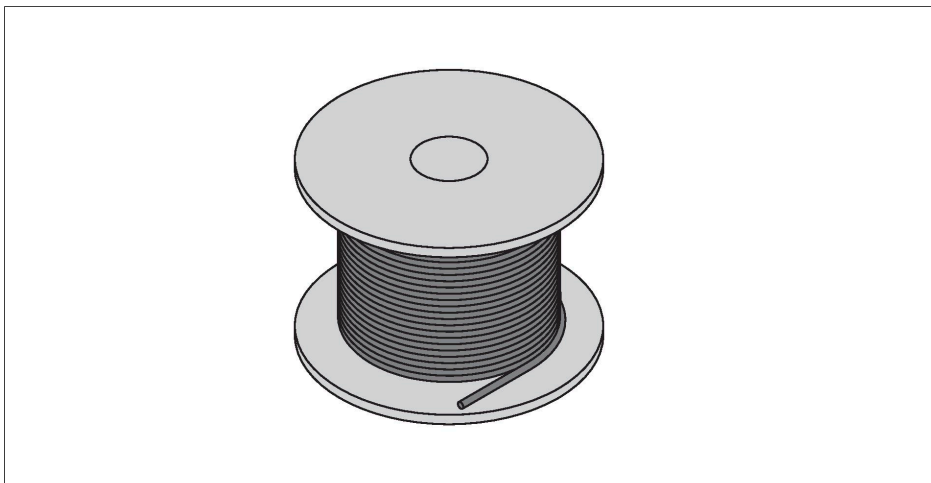


CABLE5X0.34-XX-PUR-GY-100M/TXG

Actuator and Sensor Cable, PUR – Bulk Cable



Features

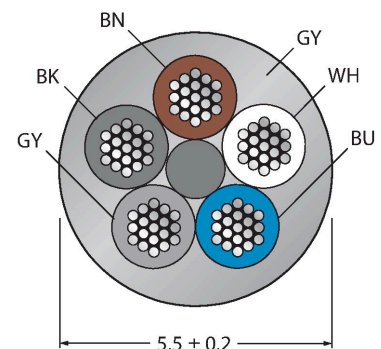


- Jacket material: PUR
- Jacket color: gray
- Suitable for drag chain use
- Resistant to chemicals, UV radiation and oils
- Flame retardant (FT2 acc. to UL 1581, IEC 60332-2-2)
- Resistant to welding sparks
- Free from halogen, silicone, PVC and LABS
- Particularly resistant to abrasion
- Approval: cULus
- RoHS compliant
- Protection class: IP67, IP69K
- Cable length: 100 m

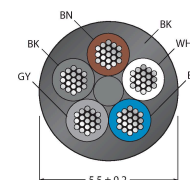
Technical data

| | |
|---|--------------------------------|
| Type | CABLE5X0.34-XX-PUR-GY-100M/TXG |
| ID | 6628638 |
| Number of Pins | 5 |
| Cable | |
| Cable diameter | Ø 5.5 mm ±0.20 |
| Cable length | 100 m |
| Cable jacket | PUR, Gray |
| Core insulation | PP |
| Core cross-section | 5 x 0.34 mm ² |
| Arrangement of strands | 42 x 0.1 mm |
| Core colors | BN, WH, BU, BK, GY |
| Electrical properties at +20 °C | |
| Test voltage | 2000 V |
| Current | 4 A |
| Insulation resistance | > 30.5 MΩ/km |
| forward resistance | max. 57 Ω/km |
| Mechanical and chemical properties | |
| Bending radius (stationary installation) | ≥ 5 x Ø |
| Bending radius (flexible use) | ≥ 10 x Ø |
| Bending cycles | ≥ 5 million |
| Admissible acceleration | max. 5 m/s ² |
| Admissible travel path, horizontal | 5 m (at 5 m/s ²) |
| Admissible travel path, vertical | 2 m (at 5 m/s ²) |
| Admissible traversing speed | 3.3 m/s |
| Torsional stress | ± 180 °/m |
| Ambient temperature range (stationary) | -50 °C...+80 °C |

Cable Cross-Section



Headline Wiring Diagram



Technical data

Ambient temperature range (In motion) -25 °C...+80 °C

Ambient temperature during drag chain operation -25 °C...+60 °C

Accessories

TORQUE-WRENCH-SET-AS

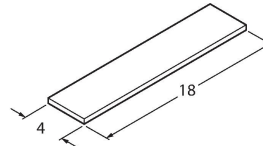
6936170



Torque wrench set; handles with adjustable torque 0.4-1.0 Nm, torque wrench for M8 (SW9), fork wrench for M12 (SW 14)

BLANK-LABEL-FOR-CORDSETS-TEL-TXL

6936206



Label for TEL and TXL cables, length: 18 mm, height: 4 mm, material: polycarbonate (PC), color: white, halogen-free and flame-retardant