

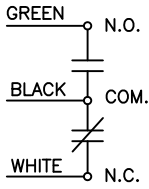
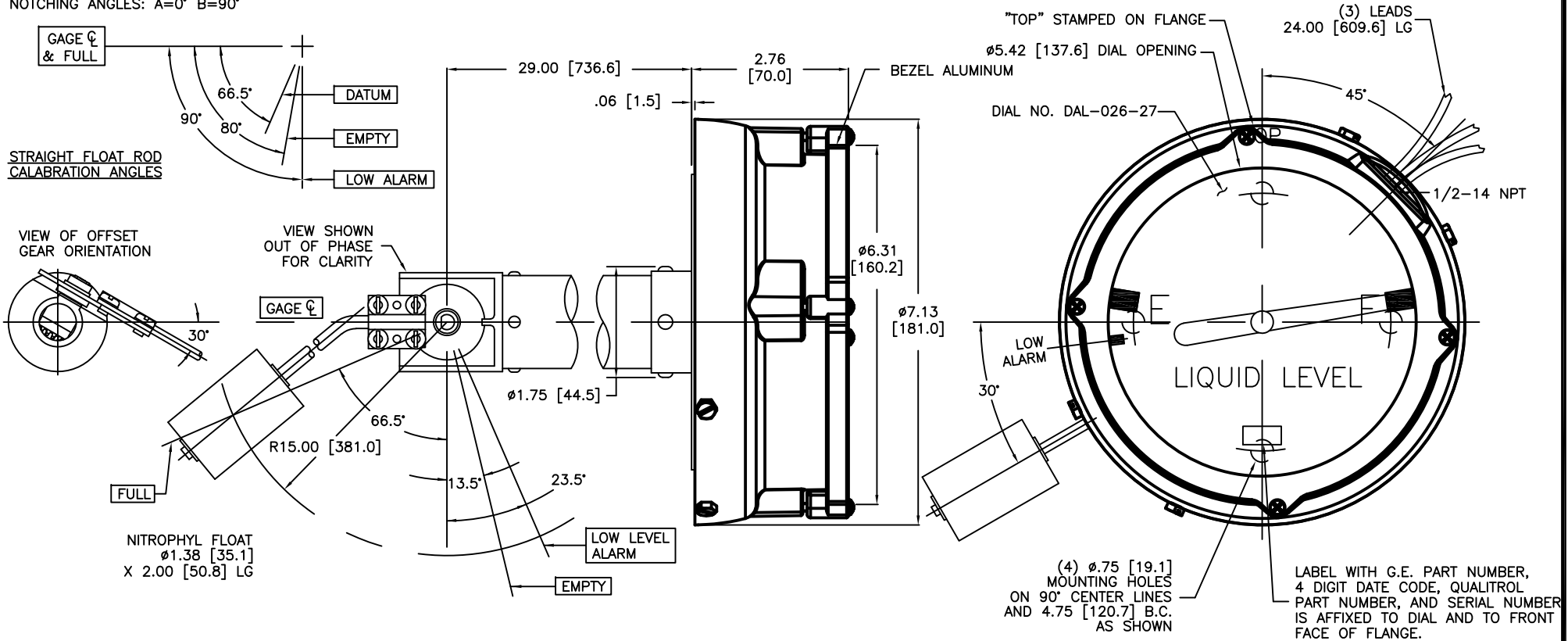
NOTICE
 THIS DRAWING IS THE PROPERTY OF QUALITROL COMPANY LLC AND IS LOANED ONLY ON THE CONDITION THAT IT WILL BE USED TO FACILITATE THE PURPOSE FOR WHICH INTENDED AND NOT BE REPRODUCED, COPIED OR OTHERWISE DISPOSED OF, AND IS NOT TO BE USED IN WHOLE OR PART FOR FURNISHING INFORMATION RELATIVE TO THE MAKING OF DRAWINGS, PARTS APPARATUS OR PARTS THEREOF, EXCEPT BY WRITTEN ORDER FROM QUALITROL COMPANY LLC.

MODEL NO. **042-60GA**

ALL DIMENSIONS FOR REFERENCE ONLY AND ARE IN INCHES [MILLIMETERS]

CASE ASSEMBLY: CASE CONFORMS TO IP65 REQUIREMENTS.
 DIAL: BLACK CHARACTERS ON A WHITE BACKGROUND
 POINTER: BLACK

LENS: ACRYLIC CRYSTAL
 CASE: ALUMINUM, PAINTED ASA 70 LIGHT GRAY EPOXY
 FLANGE: ALUMINUM
 G.E. PART NO. 256A1072-25 TO BE INK STAMPED ON SHIPPING CARTON
 NOTCHING ANGLES: A=0° B=90°



WIRING DIAGRAM
 ON LOWERING LEVEL,
 BLACK AND GREEN CLOSE
 AT LOW LEVEL ALARM

QUALITROL SWITCH RATING
 15 AMP @ 125, 250, 480 V.A.C.
 1/2 AMP @ 125 V.D.C. - NON INDUCTIVE
 1/4 AMP @ 250 V.D.C. - NON INDUCTIVE

INSULATION TEST:
 1500 VOLTS TO GROUND FOR 60 SECONDS

REVISION	MODEL NO.	DESCRIPTION
34489	042-60GA	COMPLETE GAGE
12-29-15		
34489	042-60GA-2	CASE ASSY. ONLY
12-29-15		

LET	DATE	ALTERATION	C.N.
-	12-28-15	UPDATED TO CASE/SCREW ON BEZEL DESIGN	34489
-	6-3-02	FLOAT GEARING CHANGED; REDRAWN ON CAD	22946
M	10-21-92	ADD LABEL & NOTE, REV INK STAMP NOTE	15591

QUALITROL

DIMENSIONS AND TOLERANCES IN ACCORDANCE WITH ASME Y14.5M-1994

PH. (585) 586-1515
 FAX (585) 377-0220
 1385 FAIRPORT ROAD
 FAIRPORT, NY 14450
 FORM 0-473 REV. F 04/06/06

TITLE: **6" LEVEL GAGE- GEAR TYPE**

MODEL NO. **042-60GA**