

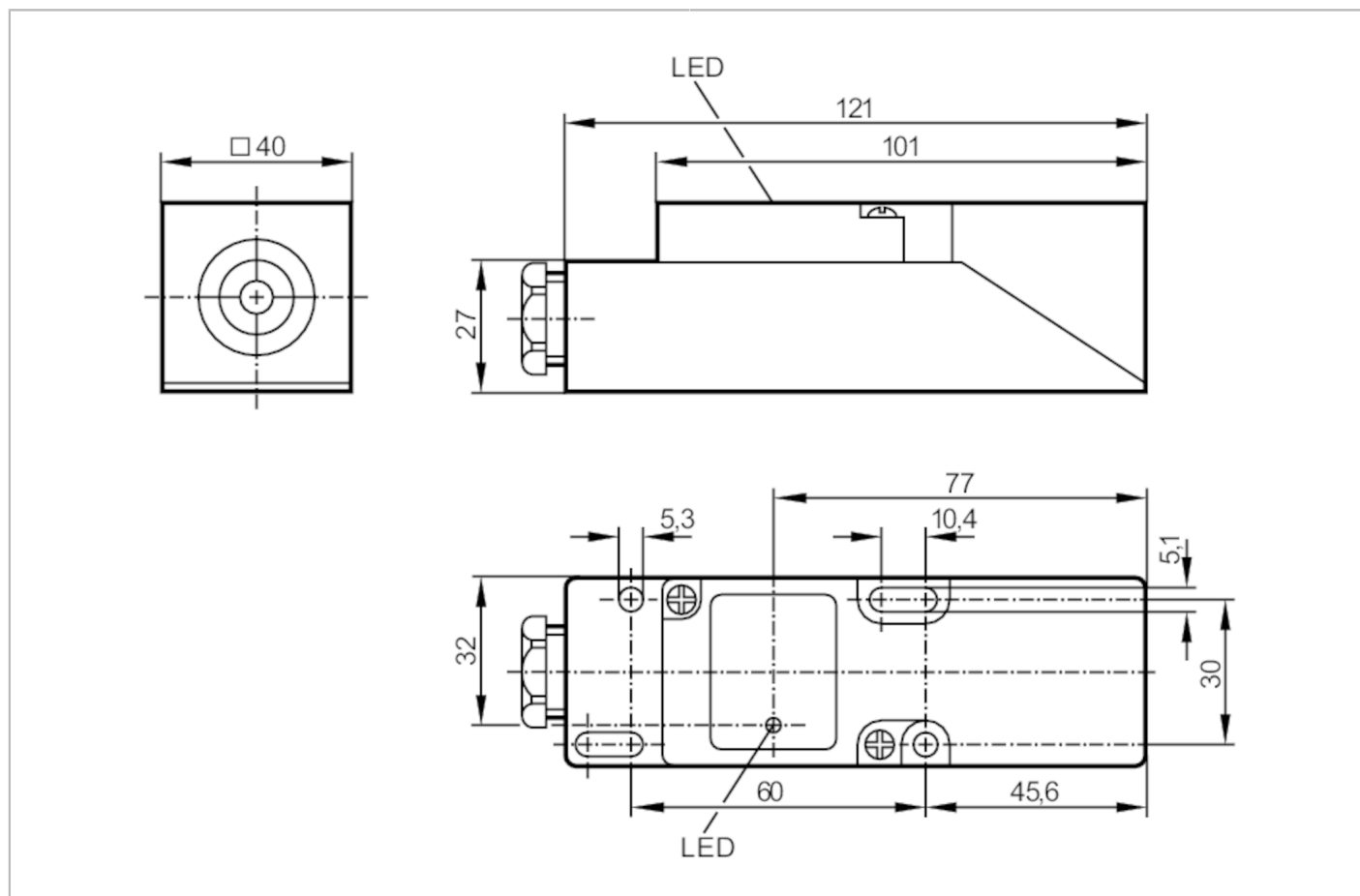
# IM9201



## Inductive sensor

IME2020-ARKG/UP

RT



### Product characteristics

Electrical design		PNP/NPN
Output function		normally open
Sensing range	[mm]	20
Housing		rectangular
Dimensions	[mm]	40 x 40 x 120

### Electrical data

Operating voltage	[V]	10...55 DC
Protection class		II
Reverse polarity protection		yes

# IM9201



## Inductive sensor

IME2020-ARKG/JP RT

Outputs		
Electrical design		PNP/NPN
Output function		normally open
Max. voltage drop switching output DC	[V]	4.6
Minimum load current	[mA]	4
Max. leakage current	[mA]	1
Permanent current rating of switching output DC	[mA]	400
Switching frequency DC	[Hz]	300
Short-circuit protection		yes
Type of short-circuit protection		yes (non-latching)
Overload protection		yes
Monitoring range		
Sensing range	[mm]	20
Real sensing range Sr	[mm]	20 ± 10 %
Operating distance	[mm]	0...16.2
Accuracy / deviations		
Correction factor		steel: 1 / stainless steel: 0.7 / brass: 0.4 / aluminum: 0.3 / copper: 0.2
Hysteresis	[% of Sr]	1...15
Switch-point drift	[% of Sr]	-10...10
Operating conditions		
Ambient temperature	[°C]	-25...80
Protection		IP 65
Tests / approvals		
EMC	EN 60947-5-2 EN 55011	class B
MTTF	[years]	1657
Mechanical data		
Weight	[g]	181
Housing		rectangular
Mounting		non-flush mountable
Dimensions	[mm]	40 x 40 x 120
Material		PPE modified
Displays / operating elements		
Display	Switching status	1 x LED, yellow
Remarks		
Remarks		5 positions of the active zone possible
Pack quantity		1 pcs.

# IM9201



## Inductive sensor

IME2020-ARKG/UP RT

### Electrical connection

terminals: ...2.5 mm<sup>2</sup>; Cable sheath: Ø 7...13 mm; Cable gland: M20 X 1.5

### Connection

