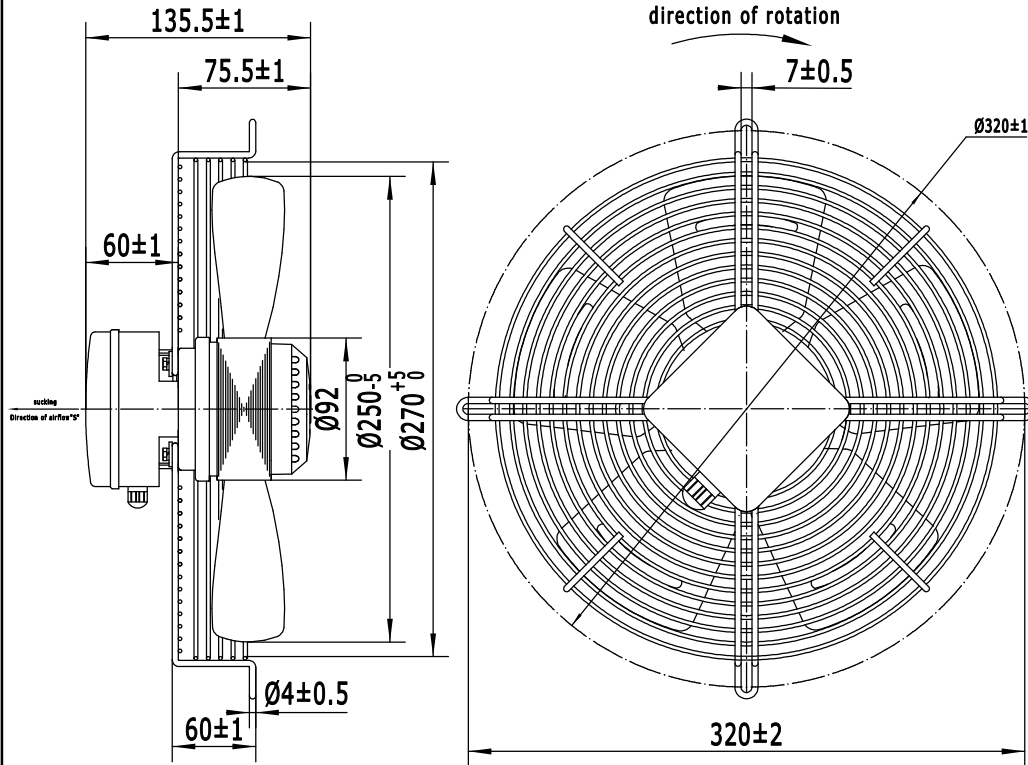


DRAWING NO



# WEIGUANG® Axial fan motor

HANGZHOU WEIGUANG ELECTRONIC CO.,LTD

Unit: axial fan motor

Type:

Motor: single phase motor with capacitor

Customer:

Motor type: YWF4E-250S-P92/25-G

Customer-type:

TYPE	Voltage v	Frequency Hz	Input power W	Current A	Speed r/min +/-5%	Air volume m <sup>3</sup> /h	noise level dBA	capacitor μ F/ VDB
YWF4E-250S-P92/25-G	220	50	50	0.23	1380	700(20Pa)	55	2 μ F/450V

Insulation class : B

Operating type: S<sub>1</sub>

Permissible ambient temperature : -30~60℃

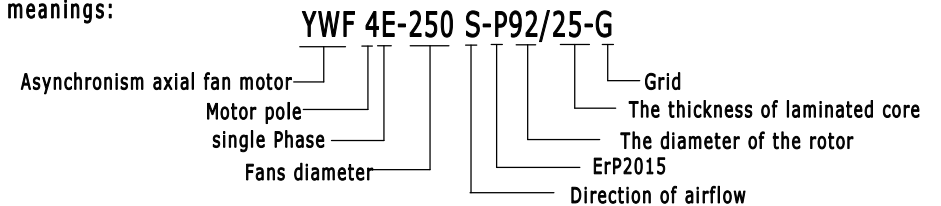
Temperature increase: ΔT≤75k

Motor protection:thermocontact 135±5℃

Bearings: ball bearings

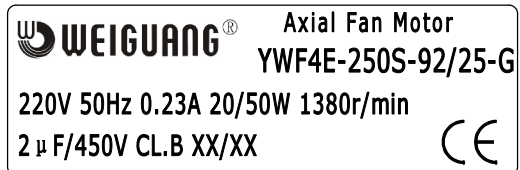
License: CE CCC

Model meanings:

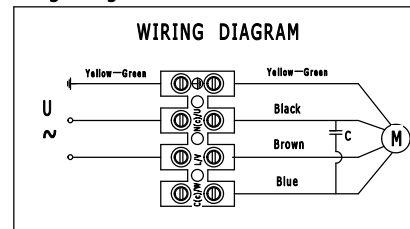
Electrical connection:lead wire Silikon 4G 0.50mm<sup>2</sup> , Length 100mm in terminal box connected

Direction of rotation: clockwise(sucking), Airflow direction:"S" looking at rotor side

LABEL:



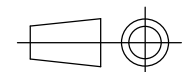
Wiring diagrams:



APPROX. WEIGHT

MEANS

REV.	DESCRIPTION	APPROVED	DATE	DECIMAL	TOLERANCE	SIGN	DATE	TITLE
				X	±0.5	DRN. BY		YWF4E-250S-P92/25-G
				X.X	±0.25	CHD. BY		
				X.XX	±0.15	ENG. BY		
				ANGLE	±3°	APP. BY		PROJECTION



A4  
SCALE  
SHEET: of