

Instructions - Parts List

VERDERAIR VA 10 Air-Operated Diaphragm Pumps

819.0154

Rev. ZAG

EN


For pumping transfer applications. For professional use only.

Only pumps with acetal fluid sections are approved for use in European explosive atmosphere locations.

7 bar Maximum Fluid Working Pressure

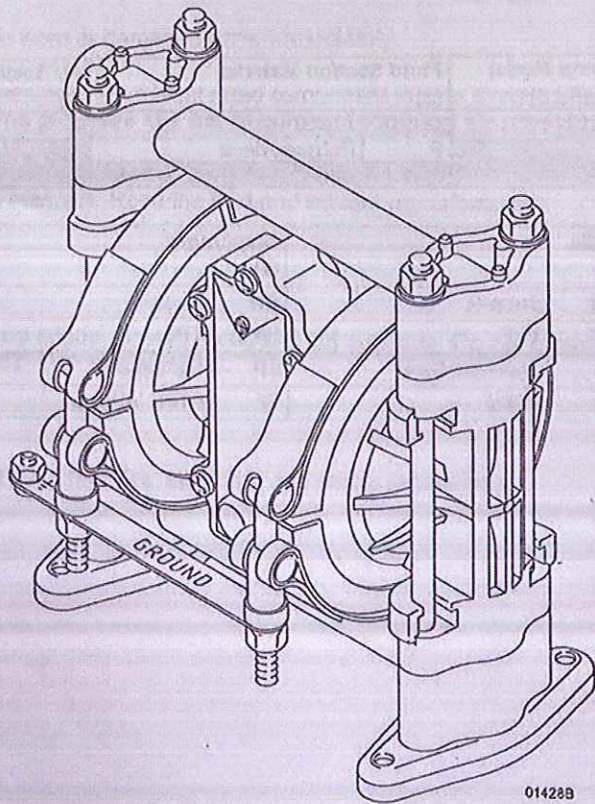
7 bar Maximum Air Input Pressure

* NOTE: Refer to the Pump Listing on page 25 to find Model No. of your pump.

** Pumps with Acetal fluid sections are  II 2 GD c IIC T4 certified.



Important Safety Instructions
Read all warnings and instructions in this manual. Save these instructions.

**CE**

01428B

Air Motor Parts List

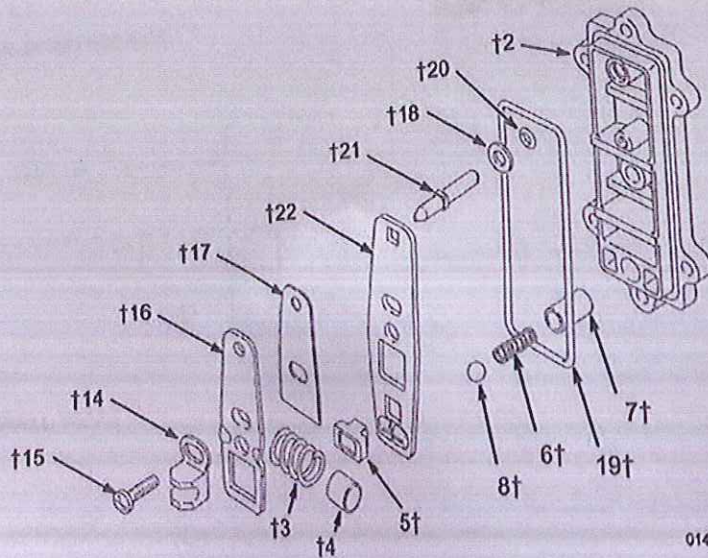
Ref. No.	Part No.	Description	Qty
1	819.0161	HOUSING, center; polypropylene	1
2†	819.0162	COVER, air valve; polypropylene	1
3†	819.0163	SPRING, compression; sst	1
4†	819.0164	STOP, link; acetal	1
5†	819.6863	CUP, valve; acetal	1
6†	819.0166	SPRING, compression; sst	1
7†	819.0167	COLLAR, detent; sst	1
8†	819.0168	BALL, detent; carbide	1
9†	819.0169	BEARING, link; acetal	1
10	819.0170	SCREW, thread-forming; 1/4-20; 9.5 mm long;	2
11	819.6351	MUFFLER	1
12	819.0172	SEAL, plate, valve; buna-N;	1
13	819.0173	PLATE, valve; sst	1
14†	819.0174	SADDLE, shift; acetal	1
15†	819.0175	SCREW, thread-forming; 10-14 size; 19 mm long; see below and page 27	7
16†	819.0176	LINK, actuator; sst	1
17†	819.0177	SPACER, link; acetal	1

Ref. No.	Part No.	Description	Qty
18†	819.0178	WASHER, plain; sst	1
19†	819.0179	O-RING; buna-N	1
20†	819.0180	O-RING; buna-N	1
21†	819.0181	SHAFT, reset; sst	1
22†	819.6862	LINK, diaphragm; sst	1
23	819.6353	GREASE, general purpose; 10.5 g; not shown	1
26†	819.0184	NUT, hex; 10-24	1
27‡	819.0185	SCREW; 10-24; 8 mm long	1
28‡	819.6880	LOCKWASHER, int. tooth; no. 10	1
29‡	819.0187	PACKING, o-ring; fluoroelastomer	2
30‡	819.6352	BEARING, acetal	2
31‡	819.6350	BEARING, acetal	2

† These parts are included in Air Valve Kit 819.6864, which may only be purchased as a kit. The kit includes only one screw (15), shown below, and a tube of grease (26).

‡ These parts are included in Diaphragm Shaft Kit 819.6349, which may be purchased separately.

‣ Not supplied with polypropylene pump.



01431A

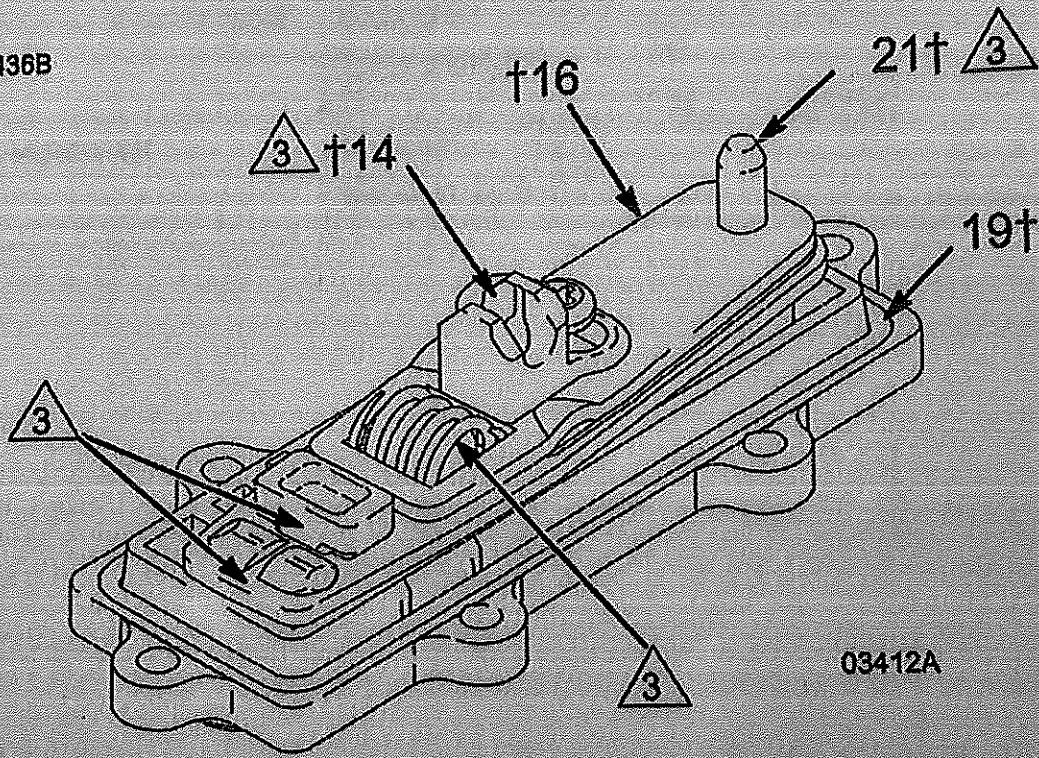
1

9†  01458

GREASE APPLICATION

01436B

to 1.6 N-m.



03412A