



Product description

Most user friendly and versatile strike in the market.

Designed for medium-duty applications, this all-in one electric strike offers dual voltage and field selectable fail secure/fail safe operation.

The latch cavity accommodates cylindrical locksets with a 1/2" to 5/8" throw (5/8" requires 1/8" door gap) in wood or aluminum frames.

Monitoring included as standard and Built-in electronic (Buzzer).

The standard ANSI lip in effeff electric strikes accommodates a 1-3/4" thick door which closes flush with the jamb. Where door/jamb relationship is different, one or more strike lip adapters may be added.

Note: The effeff mounting kit covers two extension lips, each 1". Should a smaller dimension be necessary, please cut it to the required dimension.

Overview of Advantages

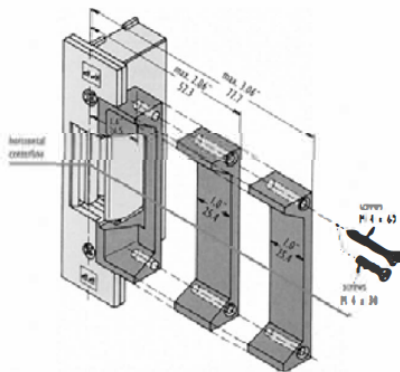
- 12/24 V AC/DC
- Fail safe/ fail secure
- Monitored
- Pre load (Fail secure only)
- Stainless steel 4-7/8" x 1-1/4" plate
- easy to install and connect
- universal handing
- 5 year limited warranty

Scope of delivery

- 1 piece electric strike

Technical data

Voltage	12/24V AC/DC
Adjustable latch (FF, Fafix®)	Yes
Fail -loaded	Yes
Fail-unlocks	Yes
Break-in resistance	1,500 lbs
Operating temperature range	-10°C to +40°C
Installation position	vertical and horizontal
Load cycles for in-plant test	500.000
Suitability for fire protection	No
Inrush current 05 sec. Max.	500 mA
Rated current consumption 12 V DC	130 mA
Rated current consumption 24 V DC	70 mA
Rated current consumption 12 V AC	200 mA
Rated current consumption 24 V AC	70 mA
Max. latch preload AC 12-24V	20 lbs
Max. latch preload DC 12 V	40 lbs
Max. latch preload 24 V	65 lbs



Article number

75-57R-87935Q31