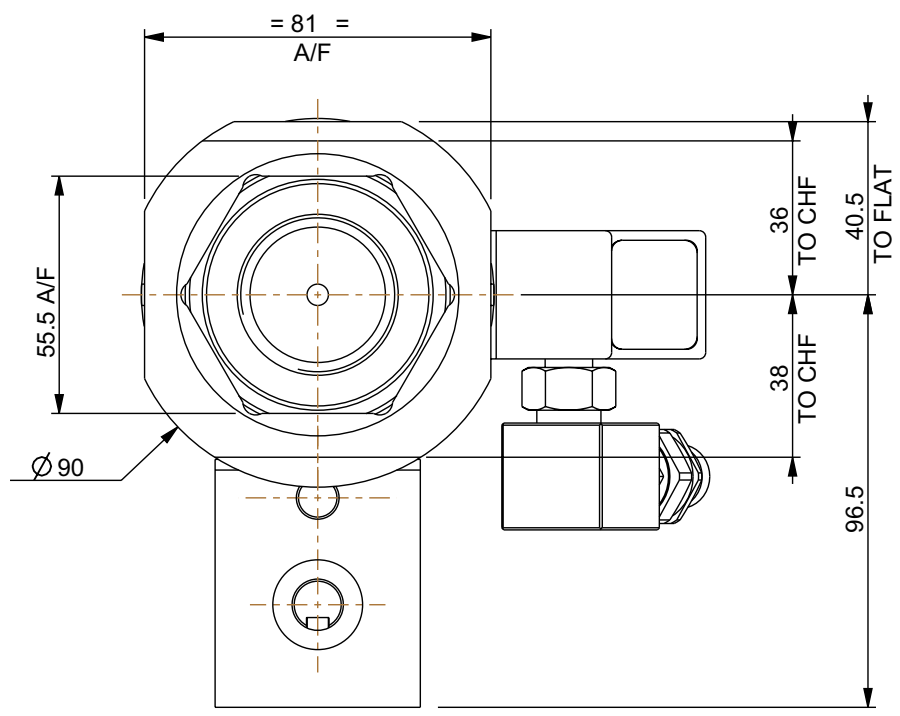
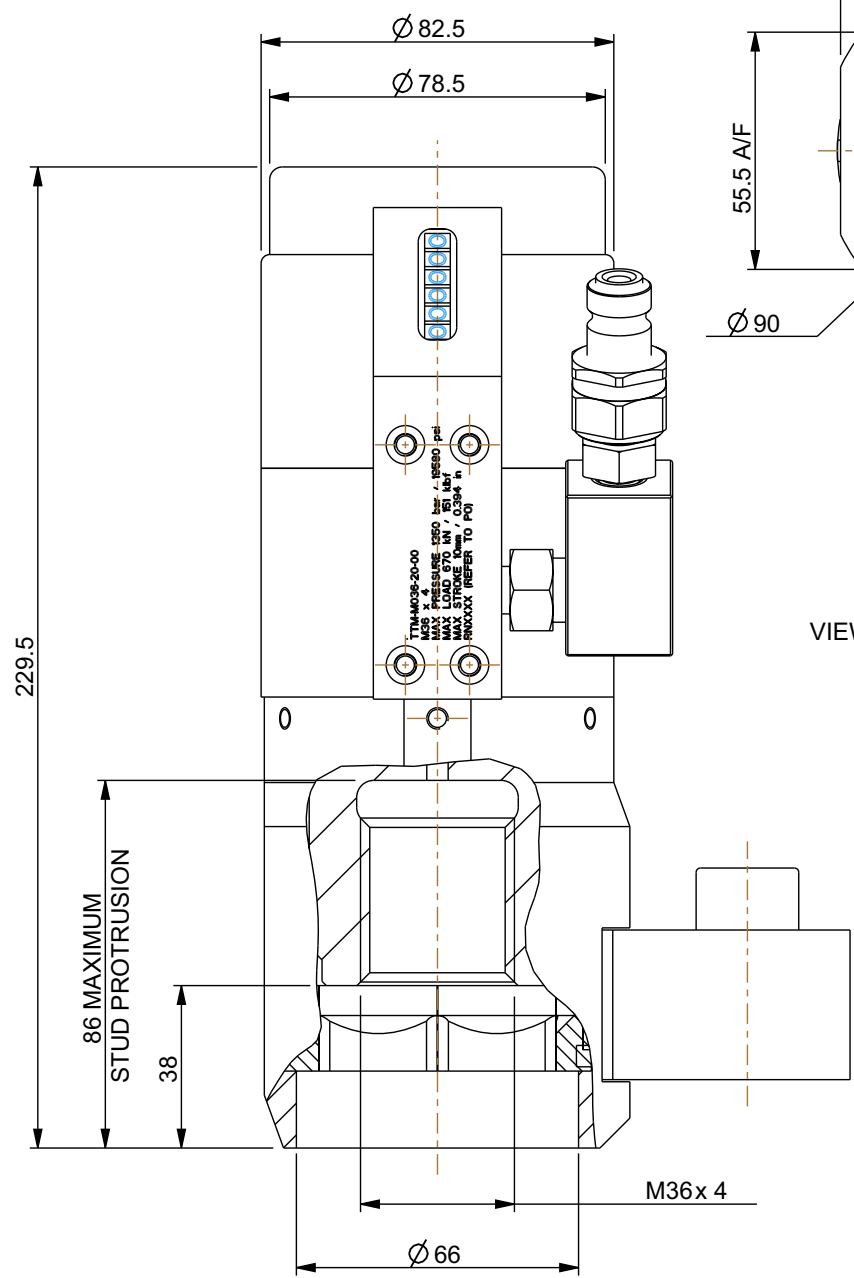


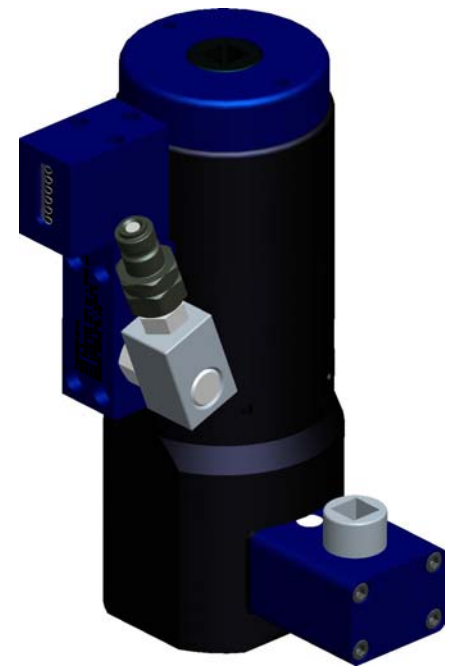
THIS DRAWING AND THE DESIGN IS THE PROPERTY OF BOLTIGHT LTD AND MUST NOT BE COPIED OR DISCLOSED TO ANY THIRD PARTY WITHOUT THE WRITTEN CONSENT OF THE COMPANY

ALL DIMS MM U.S.O.

 DO NOT SCALE



VIEW SHOWING BRIDGE PROFILE



GENERAL VIEW
 SCALE 0.500

TOOL FEATURES:

- OPTIONAL CYCLE COUNTER
- FAST SPRING RETURN
- OPTIONAL CARRYING HANDLE
- HIGH CYCLE FATIGUE LIFE
- SAFE FAILURE DESIGN
- ANTI-OVERSTROKE FACILITY
- LONG LIFE SEAL PERFORMANCE
- OPTIONAL NIPPLE/COUPLING CONFIGURATIONS
- LOW MAINTENANCE SPRING LOADED GEAR DRIVE

SPECIFICATION				
MAX WORKING PRESSURE	1350	bar	19580	psi
MAX LOAD	670	kN	151	klbf
MAX STROKE	10	mm	0.394	in
APPROX. TOOL WEIGHT	9.0	kg	19.8	lb

MATERIAL					
FINISH					
SURFACE FINISH	1.6				
LIMITS U.S.O.	±0.25	±	0.25	°	
SIZE	A3	SCALE	0.800	A	-
	REV	CNN	DRAWN	CHECKED	DATE
					190110

BOLTIGHT®

TITLE
M36 x 4 MULTI-DECK TENSIONER

DRAWING NO. **TTM-M036-21-00** ISSUE **A**