

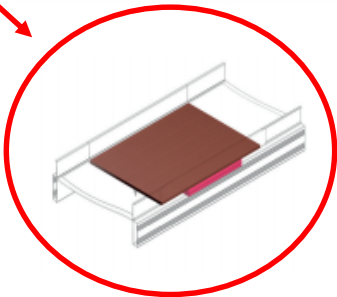
METAL DETECTION

meTRON 03 SL

A METAL DETECTOR FOR INSTALLATION IN BELT CONVEYORS
PREFERABLY FOR FLAT PRODUCTS.

Reliable in Process and Detection
Durable in Technology and Performance
Easy in Installation and Handling

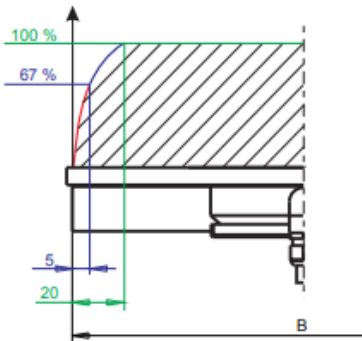
- No metal free zone required
- Excellent sensitivity to ferrous, stainless steel and non-ferrous metals
- Easy to install without excessive modifications
- A slider plate is not required
- The right detector for every conveyor
- Install - connect - done !
(no additional adjustment or tuning required)



Applications

Machinery protection
Cutting mills, Grinders, crushers

SENSITIVITY RANGE



Sensitivity in % in relation to values given in diagram

Example: (Detection height 20 mm)

100 % = FE-Sphere Ø 3 mm

$$\frac{\text{Ø } 3 \text{ mm}}{100} \times (100 - 67) + \text{Ø } 3 \text{ mm} = \text{Ø } 4 \text{ mm}$$

67 % = FE-ball ~ Ø 4 mm

**QUOTE AND
DELIVERY TIME
meTRON 03 SL**



Karla Valle
BM BALMEN ELECTRIC
9475 NICOLA TESLA COURT
SAN DIEGO, CA 92154
Office: 619 270-2154
sales@Balmen-electric.com