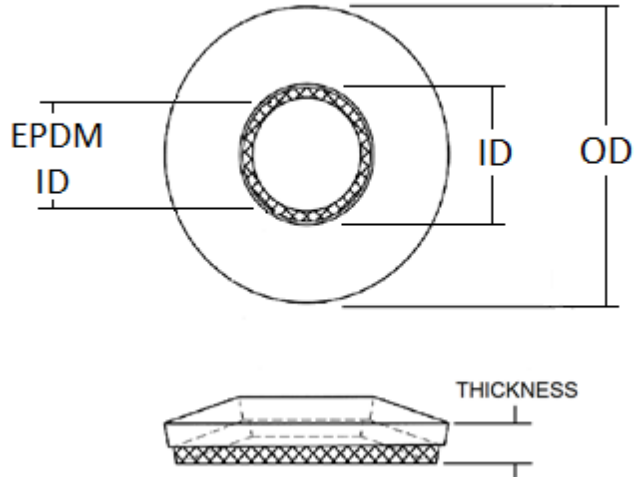


Bonded Sealing Washer, 18-8 Stainless Steel

The information below lists the required dimensional, chemical and physical characteristics of the products in this purchase order. If the order received does not meet these requirements, it may result in a supplier corrective action request, which could jeopardize your status as an approved vendor. Unless otherwise specified, all referenced consensus standards must be adhered to in their entirety.



Size	I.D.		O.D.		EPDM I.D.		Washer and Rubber seal Thickness combined	
	Min.	Max.	Min.	Max.	Min.	Max.	Min.	Max.
#4	.147	.168	.368	.382	.094	.123	.098	.122
#6	.198	.218	.368	.382	.129	.153		
#8	.198	.218	.493	.507	.125	.145		
#10	.198	.218	.493	.507	.145	.169		
#12	.226	.246	.547	.558	.165	.189		
1/4	.257	.277	.622	.635	.208	.224		
5/16	.344	.364	.741	.755	.259	.275		
3/8	.395	.415	.741	.755	.334	.358		
7/16	.446	.467	.977	.991	.385	.414		
1/2	.541	.561	.977	.991	.488	.511		

Specification Requirements:

- Dimensions: See Table Above
- Washer Material: 18-8 Stainless Steel
- Sealing Washer Material: EPDM
- Finish: Per ASTM A380