

- > **Port size: DN 10, G1/4 ... 1/2 (ISO G/NPT)**
- > **Functional design**
- > **Compact solenoid with integrated core tube**
- > **Valve operates without differential pressure**
- > **Operating pressure 0 ... 20 bar with alternating current and NBR sealing**



Technical features

Medium:

Neutral gases and liquids

Switching function:

Normally closed

Operation:

Solenoid actuated, with forced lifting

Mounting position:

Optional, preferably solenoid vertical on top

Flow direction:

Determined

Port size:

G1/4, G3/8, G1/2, 1/4 NPT, 3/8 NPT, 1/2 NPT

Operating pressure:

0 ... 10 bar (0 ... 145 psi)

Fluid temperature:

-10 ... +90°C (+14 ... +194°F)

Ambient temperature:

-10 ... +50°C (+14 ... +122°F)

Material:

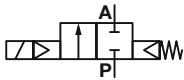
Body: Brass (CW617N), PA66

Seat seal: NBR

Internal parts: Stainless steel, PVDF

For contaminated fluids insertion of a strainer is recommended.

Technical data - standard models

Symbol	Port size	Orifice (mm)	Valve length (mm)	Flow kv value *1) (m³/h)	Operating pressure *2) (bar)	Weight (kg)	Model Solenoid in V d.c./a.c.
	G1/4	10	44	1,5	0 ... 10	0,5	8253000.8001.xxxxx
	1/4 NPT	10	44	1,5	0 ... 10	0,5	8263000.8001.xxxxx
	G3/8	10	44	1,7	0 ... 10	0,5	8253100.8001.xxxxx
	3/8 NPT	10	44	1,7	0 ... 10	0,5	8263100.8001.xxxxx
	G1/2	10	60	1,7	0 ... 10	0,6	8253200.8001.xxxxx
	1/2 NPT	10	60	1,7	0 ... 10	0,6	8263200.8001.xxxxx

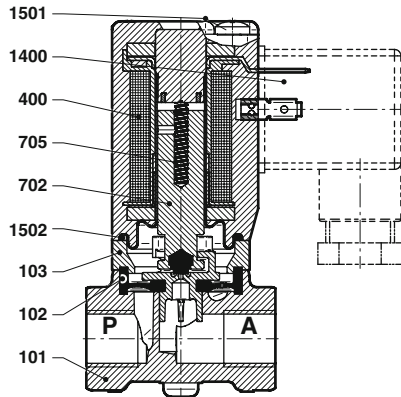
xxxxx Please insert voltage and frequency codes

*1) Cv-value (US) ≈ kv value x 1,2

*2) For gases and liquid fluids up to 25 mm³/s (cSt)

Section View

G1/4 ... 1/2
1/4 ... 1/2 NPT



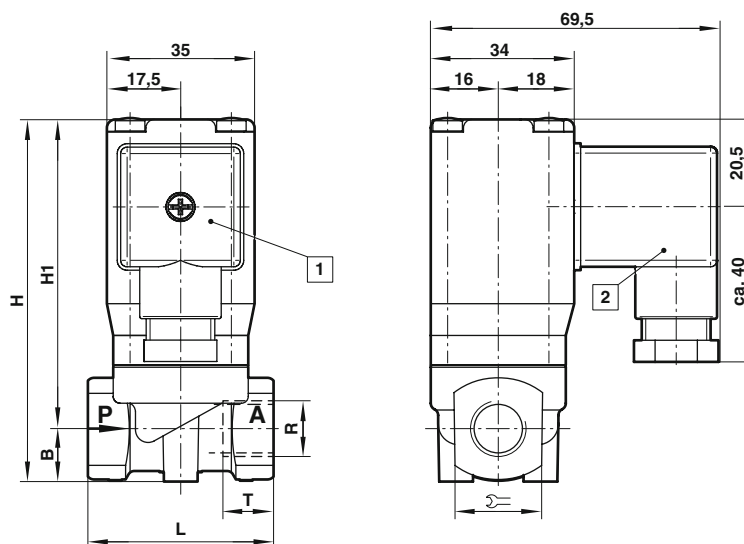
No.	Description
101	Valve body
*102	Diaphragm
103	Spacer
400	Solenoid
*702	Plunger
*705	Pressure spring
1400	Socket (included)
1501	Oval head cap screw
*1502	O-ring

* These individual parts form a complete wearing unit.
When ordering spare parts please state Model No. and Series No.

Dimensions

G1/4 ... 1/2
1/4 ... 1/2 NPT

Dimensions in mm
Projection/First angle



- 1 Solenoid rotatable 360°
- 2 Socket turnable 4 x 90°
(Socket included)

Port size R	B	H	H1	L		T	Model
G1/4	14	87	73	44	21	12	8253000.8001.xxxxx
1/4 NPT	14	87	73	44	21	10	8263000.8001.xxxxx
G3/8	14	87	73	44	21	12	8253100.8001.xxxxx
3/8 NPT	14	87	73	44	21	10	8263100.8001.xxxxx
G1/2	14	90	74,5	60	27	15	8253200.8001.xxxxx
1/2 NPT	14	90	74,5	60	27	13	8263200.8001.xxxxx

Note to Pressure Equipment Directive (PED):

The valves of this series are according to Art. 3 § 3 of the Pressure Equipment Directive (PED) 97/23/EG. This means interpretation and production are in accordance to engineers practice well-known in the member countries.

The CE-sign at the valve does not refer to the PED. Thus the declaration of conformity is not longer applicable for this directive.

Note to Electromagnetic Compatibility Guideline (EEC):

The valves shall be provided with an electrical circuit which ensures the limits of the harmonised standards EN 61000-6-3 and EN 61000-6-1 are observed, and hence the requirements of the Electromagnetic Compatibility Guideline (2004/108/EEC) satisfied.