

Profile cylinders, series PRA, PRB

Series PRB, 32–100 mm dia., double-acting, prox. switching, cushioning and wiper



Rexroth
Bosch Group



Technical Data

Standard	ISO 15552 (ISO 6431, VDMA 24562) NF E 49-003-1, UNI	
Working pressure	3–10 bar (44 to 145 psi)	
Ambient temperature range	-10 °C to +80 °C (+14 °F to +176 °F)	
Medium	Compressed air	ISO 8573-1:2001, class 6-4-3 or lower*
Materials	Piston rod Cylinder barrel End covers	Stainless steel, smooth-rolled Anodized aluminum Die-cast aluminum

Application area

The grooves on the profile cylinder enable the cylinder switches to be fastened quickly. With wiper avoiding metal deposits on the piston rod

* Particle size $\leq 5 \mu\text{m}$, dew point $\leq 3 \text{ }^\circ\text{C}$, oil content $\leq 1 \text{ mg/m}^3$

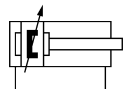


Technical information

Piston Ø	[mm]	32	40	50	63	80	100
Theoretical piston force at 6 bar (87 psi)	push stroke	[N] 422 (94.4)	665 (149)	1035 (233)	1647 (370)	2656 (597)	4145 (932)
	pull stroke	[N] 364 (81.8)	560 (126)	871 (196)	1478 (332)	2397 (539)	3886 (874)
Cushioning length	[mm]	18	23	23	27	33	35
Weight	0 mm stroke	[kg] 0,570 (1.26)	0,730 (1.61)	1,190 (2.62)	1,560 (3.44)	2,60 (5.73)	3,80 (8.38)
	add. per 100 mm	[kg] 0,220 (0.485)	0,320 (0.705)	0,470 (1.04)	0,540 (1.19)	0,85 (1.87)	1,00 (2.2)
		[lbs]					

Cushioning diagram, see Technical Information to the BRP Catalogue

Part no.



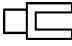



Piston Ø	32	40	50	63	80
Piston rod thread	M10x1,25	M12x1,25	M16x1,5	M16x1,5	M20x1,5
Threaded port	G 1/8	G 1/4	G 1/4	G 3/8	G 3/8
Stroke ³⁾	25	25	25	25	25
Max. stroke	2600	2600	2600	2600	2600
Piston Ø	100				
Piston rod thread	M20x1,5				
Threaded port	G 1/2				
Stroke ³⁾	25				
Max. stroke	2600				

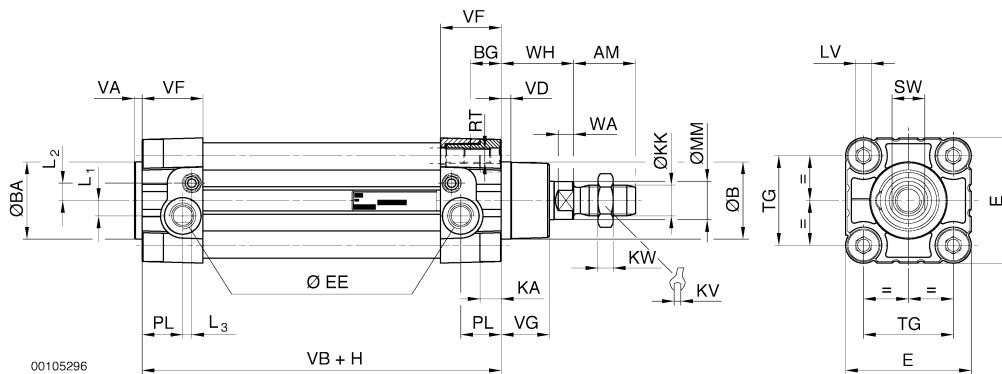
³⁾ Intermediate strokes may be delivered, e.g. D = 32 mm; H = 650 mm: 08220405xx/H650

Profile cylinders, series PRA, PRB

Series PRB, 32–100 mm dia., double-acting, prox. switching, cushioning and wiper

▲ Accessories (to be ordered separately)					
Symbol	Type	32	40	50	63
	Piston dia.	32	40	50	63
	Front or rear flange	1827001277	1827001278	1827001279	1827001280
	Angle brackets	1827001271	1827001272	1827001273	1827001274
	Pivoted mounting MT4	1827003991	1827003992	1827003993	1827003994
	Clevis mounting, narrow (AB6)	1827001593	1827001594	1827001595	1827001596
	Rear clevis	1825805223	1825805224	1825805225	1825805226
	Clevis mounting (MP2)	1827001289	1827001290	1827001291	1827001292
	Piston dia.	80	100		
	Front or rear flange	1827001281	1827001282		
	Angle brackets	1827001275	1827001276		
	Pivoted mounting MT4	1827003995	1827003996		
	Clevis mounting, narrow (AB6)	1827001597	1827001598		
	Rear clevis	1825805227	1825805228		
	Clevis mounting (MP2)	1827001293	1827001294		
	Piston dia.	32 - 100			
	Sensor with 3 m cable, Reed	0830100629 (Micro)		0830100606 (Midi)	
	Sensor with M8, PNP	0830100489 (Micro)		0830100483 (Midi)	
	Sensor mounting	1827020287 (Micro)		1827020084 (Midi)	
	Piston dia.	32	40	50	63
	Rod clevis with female threads	1822122024	1822122025	1822122005	1822122005
	Rod clevis with male threads	1822122032	1822122033	1822122034	1822122034
	Mounting plate	1827001629	1827001630	1827001631	1827001631
	Ball eye rod end	1822124003	1822124004	1822124005	1822124005
	Flexible coupling	1826409002	1826409003	1826409004	1826409004
	Piston dia.	80	100		
	Rod clevis with female threads	1822122004	1822122004		
	Rod clevis with male threads	1822122035	1822122035		
	Mounting plate	1827001632	1827001632		
	Ball eye rod end	1822124006	1822124006		
	Flexible coupling	1826409005	1826409005		

▲ Seal kit						
Piston Ø	32	40	50	63	80	100
	1827009557	1827009564	1827009569	1827009576	1827009899	1827009907



H = Stroke

Piston Ø	AM -2	B e11	E	EE	KK 6g	VD	WH ±0,8	BA e11	BG	KV	KW	MM f8	PL -0,3	RT	
32	22	30	47	+0,4	G1/8	M10x1,25	5	26	30	16	17	6	12	14	M6
40	24	35	53	+0,4	G1/4	M12x1,25	5	30	35	16	19	7	16	16	M6
50	32	40	65	+0,5	G1/4	M16x1,5	5	37	40	16	24	8	20	21	M8
63	32	45	75	+0,5	G3/8	M16x1,5	5	37	45	16	24	8	20	22	M8
80	40	45	95	±0,35	G3/8	M20x1,5	5	46	45	16	30	10	25	27	M10
100	40	55	115	±0,35	G1/2	M20x1,5	5	51	55	16	30	10	25	26	M10

Profile cylinders, series PRA, PRB

Series PRB, 32–100 mm dia., double-acting, prox. switching, cushioning and wiper

Rexroth
Bosch Group

Piston Ø	SW	TG		VA -0,2	VB		VF -0,2	VG		WA -0,3	KA	L1	L2	L3	LV	
32	10	32,5	±0,35	4	94	±0,4	27,5	16	±0,1	6	6,3	5	5,5	6,3	6	E11
40	13	38	±0,35	4	105	±0,7	31	20	±0,1	6	6,3	5,5	8	7,5	6	E11
50	16	46,5	±0,45	4	106	±0,7	31,5	25	±0,1	8	10,6	8	9	0	8	E11
63	16	56,5	±0,55	4	121	±0,8	35	25	±0,1	8	10,6	10	11	0	8	E11
80	22	72	±0,6	4	128	±0,8	39,5	33	±0,15	10	14,6	8	14	0	15	-0,05/-0,2
100	22	89	±0,6	4	138	±1	40,5	38	±0,15	10	14,6	14	10	0	15	-0,05/-0,2