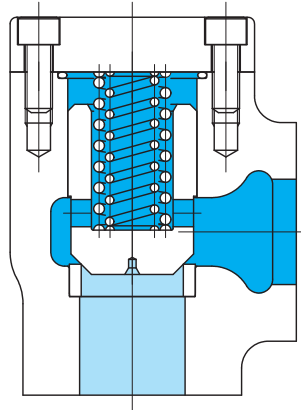


Angle type check valves (flange connection) DF10P1



- Flange connection type check valve for large flows.

Functional Symbol



Model Code

(F3)-DF10P1-16-5-20-JA-(S22)

1 2 3 4 5 6

1 Hydraulic fluid

Omit: mineral oil based fluid, water-glycol based fluid
F3: phosphate ester

2 Angle type check valves (flange connection)

3 Size

Refer to "Specifications".

4 Cracking pressure

Refer to "Specifications".

5 Design no.

6 Special feature

S12: orifice (ø1.2)

S22: no spring type

Specifications

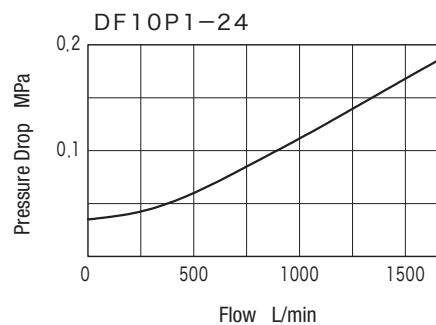
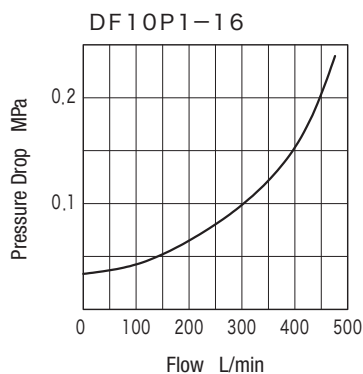
Model Code	Size	Max. Working Pressure MPa	Rated Flow L/min	Weight kg
DF10P1-16	16	21	500	13
DF10P1-24	24		1200	65.5

Code	5 (standard)	7	10	20	25	30	50	65	80	100
Cracking Pressure MPa	0.035	0.05	0.07	0.14	0.18	0.21	0.35	0.46	0.56	0.7

Note: Some cracking pressures may not be applicable for certain sizes. See F5-3 Spring Table.

Characteristics Curve (at 20 mm²/s) (typical examples)

Pressure Drop Characteristics (cracking pressure 0.035 MPa)



Notes on Operation

- Mount S22 (no spring) type so A port is at bottom (free flow inlet).

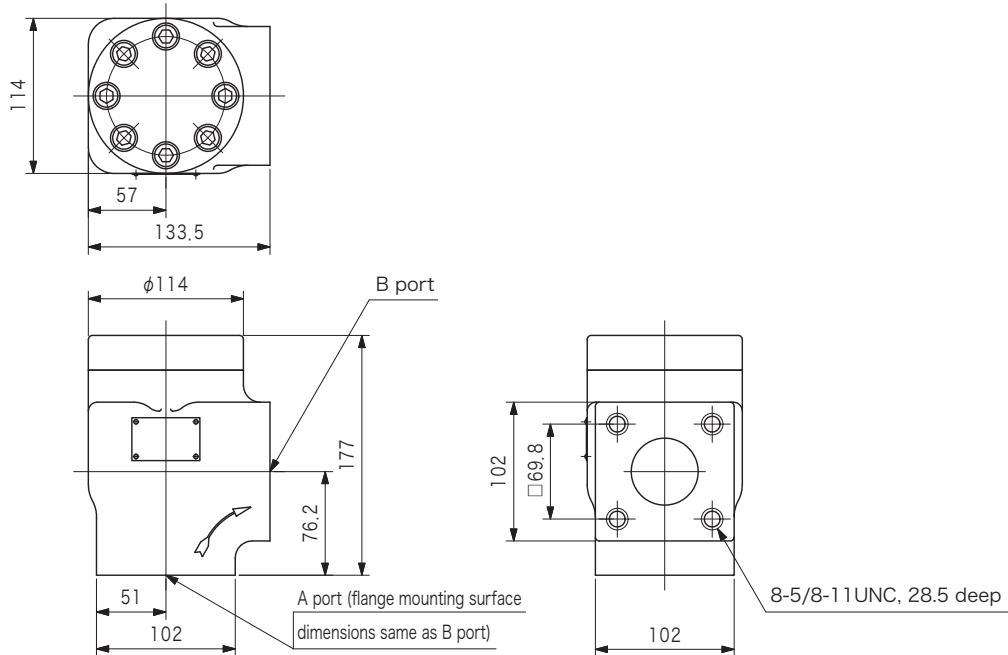
Flange

Valve Model	Connection Port Diameter Rc	Flange		
		Threaded	Size	Welded
		Straight Flange		Straight Flange
DF10P1-16	1-1/2	FL-12-PS-20-JA-J	1-1/2	FL-12-TS-20-JA-S18
	2	FL-16-PS-20-JA-J	2	FL-16-TS-20-JA-S18
DF10P1-24	2-1/2	FL-20-PS-20-JA-J	2-1/2	FL-20-TS-20-JA-S18
	3	FL-24-PS-20-JA-J	3	FL-24-TS-20-JA-S18

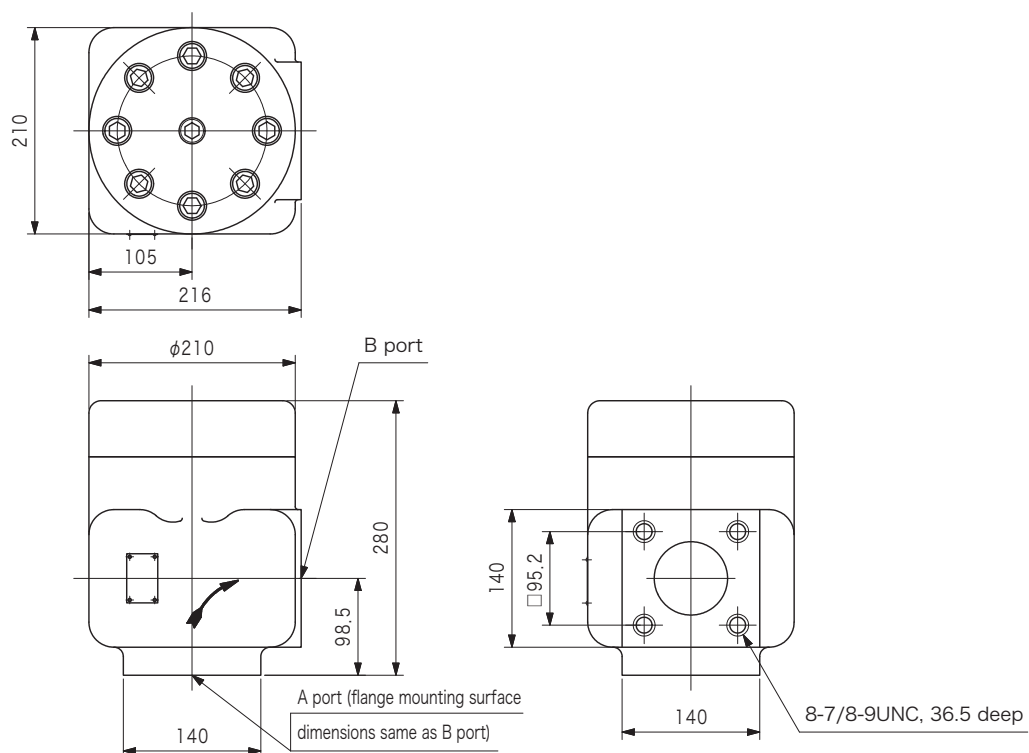
- Flanges must be ordered separately.
- Flange includes mounting bolts, spring washers, O-rings.
- See page R7-2 for dimensions.
- Mounting bolt tightening torque
DF10P1-16: 108~132 N·m
DF10P1-24: 200~300 N·m

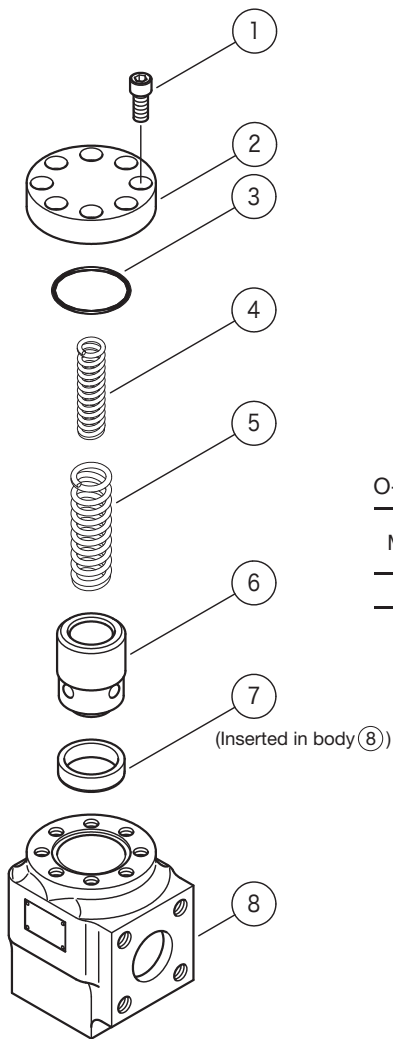
Dimensions

DF10P1-16



DF10P1-24





Spring
DF10P1-16

Code	Part No.	
	④	⑤
5	————	VP20898
10	————	VA18774
20	————	VP271580
30	————	VP230660
50	————	VA18796
65	————	VP117683
80	VA17001	
100	VP285636	

DF10P1-24

Code	Part No.
	⑤
5	VP46563
7	VA12693
10	VP212147
20	VP236242
25	VA14148
30	VA14099
65	VP117684

O-ring

No.	DF10P1-16			DF10P1-24		
	Part No.	Standard	Qty	Part No.	Standard	Qty
3	007923019	AS568-230 (NBR, Hs90)	1	007924219	AS568-242 (NBR, Hs90)	1