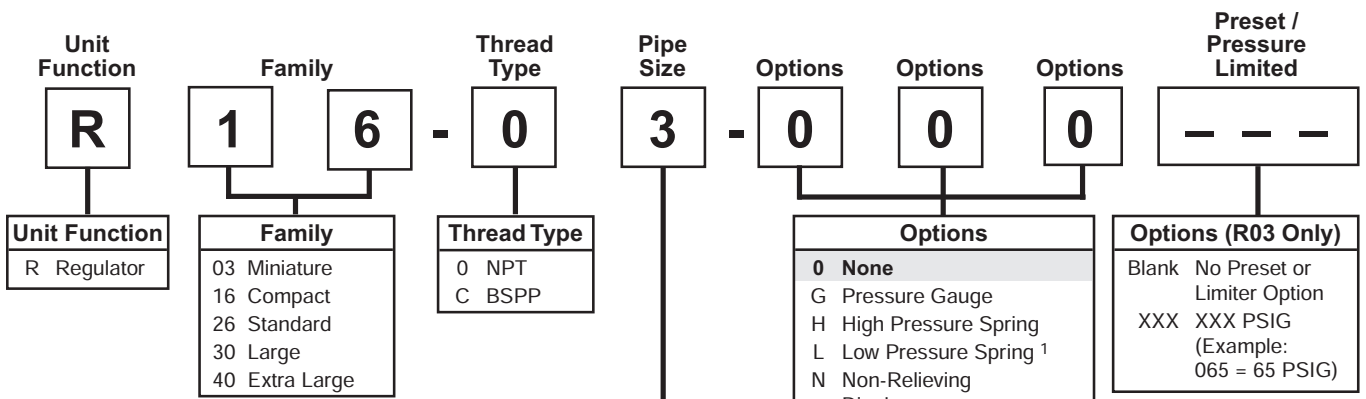


Regulator Numbering System

 = "Most Popular"



Code	Pipe Size	Series				
		03	16	26	30	40
1	1/8"	X				
2	1/4"	X	X	X		
3	3/8"		X	X		
4	1/2"		X	X		
6	3/4"				X	
8	1"				X	
A	1-1/4"				X	
B	1-1/2"					X
C	2"					X

Options	
0	None
G	Pressure Gauge
H	High Pressure Spring
L	Low Pressure Spring ¹
N	Non-Relieving Diaphragm
V	All Fluorocarbon

Options (R03 Only)	
Blank	No Preset or Limiter Option
XXX	XXX PSIG (Example: 065 = 65 PSIG)

Note: Pressure Range 10 to 90 PSIG in 5 PSIG Increments Options

Options (R03 Only)	
0	Standard, 2 to 125 PSI, Relieving
G**	Pressure Gauge
J*†	Preset, Adjustable
K*†	Preset, Non-Adj. / Epoxy
L	1 to 60 PSI, Relieving
M	Panel Nut Included
N	2 to 125 PSI, Non-Relieving
P	1 to 30 PSI, Relieving
Q	1 to 15 PSI, Relieving
R*†	Pressure Limiter
S	1 to 60 PSI, Non-Relieving
T	1 to 30 PSI, Non-Relieving
U	1 to 15 PSI, Non-Relieving

* Inlet pressure is 100 PSIG. For other pressures, consult factory.
 ** Not available with BSPP thread type.
 † Must specify preset or limited pressure.

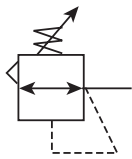
Spring Type by Preset / Limited Pressure:
 For Preset / Limited Pressure 10 to 25 use 30 PSI Spring
 For Preset / Limited Pressure 26 to 50 use 60 PSI Spring
 For Preset / Limited Pressure 51 to 90 use 125 PSI Spring

¹ Not available on R30.

If more than one option is desired, arrange them in alphabetical order in positions 6, 7, and 8.

Regulator R03

 = "Most Popular"



R03-02-000

Specifications

Flow Capacity*	1/8	13 SCFM (6.14 dm ³ /s)
	1/4	15 SCFM (7.08 dm ³ /s)
Gauge Ports (2)	1/8	
Port Threads	1/8, 1/4 Inch	
Pressure & Temperature Ratings	0 to 300 PSIG (0 to 20.7 bar) 32°F to 125°F (0°C to 52°C)	
Secondary Pressure Ranges –		
Standard Pressure	2 to 125 PSIG (0 to 8.6 bar)	
Medium Pressure	1 to 60 PSIG (0 to 4.1 bar)	
Medium Pressure	1 to 30 PSIG (0 to 2.1 bar)	
Low Pressure	1 to 15 PSIG (0 to 1.0 bar)	
Weight	.3 lb. (.14 kg)	

* Inlet pressure 100 PSIG (6.9 bar). Secondary pressure 90 PSIG (6.2 bar) and 10 PSIG pressure drop.

Features

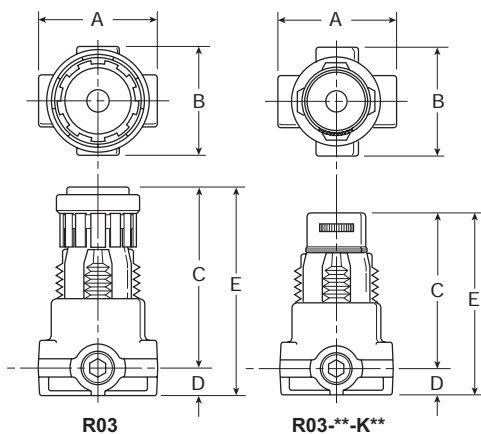
- Unbalanced Poppet Standard
- Solid Control Piston with Lip Seal for Extended Life
- Non-rising Adjusting Knob
- Compact, 3.08 inch (78mm) High by 1.65 inch (42mm) Wide
- Easily Serviced

Materials of Construction

Adjusting Nut	Brass
Adjusting Stem & Spring	Steel
Body	Zinc
Bonnet, Seat, Piston & Valve Poppet	Plastic
Seals	Nitrile

WARNING

**Product rupture can cause serious injury.
Do not connect regulator to bottled gas.
Do not exceed maximum primary pressure rating.**



Note: 1.218" dia. (31) mm hole required for panel mounting.

Dimensions

Model	Inches (mm)	A	B	C	D	E
Standard Unit R03-XX-XXX		1.65 (42)	1.56 (39.6)	2.50 (63.5)	.38 (9.6)	2.88 (73)
Preset, Non-Adjustable Unit R03-XX-KXX		1.65 (42)	1.56 (39.6)	2.28 (57.9)	.38 (9.6)	2.66 (67.6)

CAUTION:

REGULATOR PRESSURE ADJUSTMENT – The working range of knob adjustment is designed to permit outlet pressures within their full range. Pressure adjustment beyond this range is also possible because the knob is not a limiting device. This is a common characteristic of most industrial regulators, and limiting devices may be obtained only by special design.

For best performance, regulated pressure should always be set by increasing the pressure up to the desired setting.

Replacement Kits

- Poppet / Piston Kits –
 Unbalanced, Non-Relieving PS428P
 Unbalanced, Relieving PS426P
- Springs –
 1-30 PSIG Range P01175
 1-60 PSIG Range P01174
 2-125 PSIG Range..... P01173
 1-15 PSIG Range..... P01176

Accessories

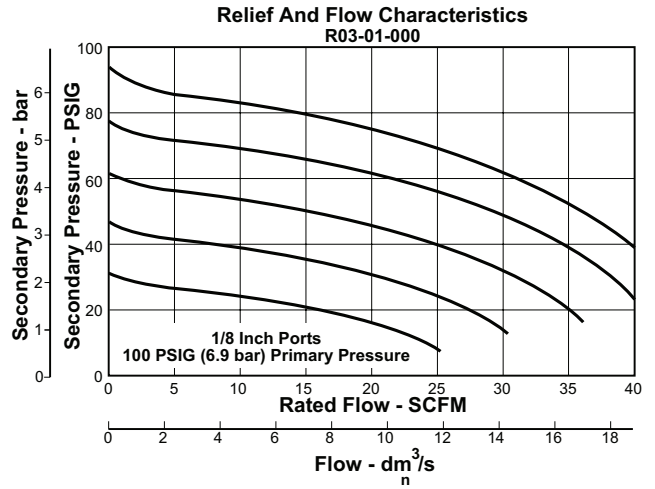
- Gauges –
 30 PSIG, 1/8" NPT (0 to 2.1 bar) K4515N18030
 60 PSIG, 1/8" NPT (0 to 4.1 bar) K4515N18060
 160 PSIG, 1/8" NPT (0 to 11.0 bar)..... K4515N18160

Mounting Bracket Kit* (Includes Panel Mount Nut)..... PS417B

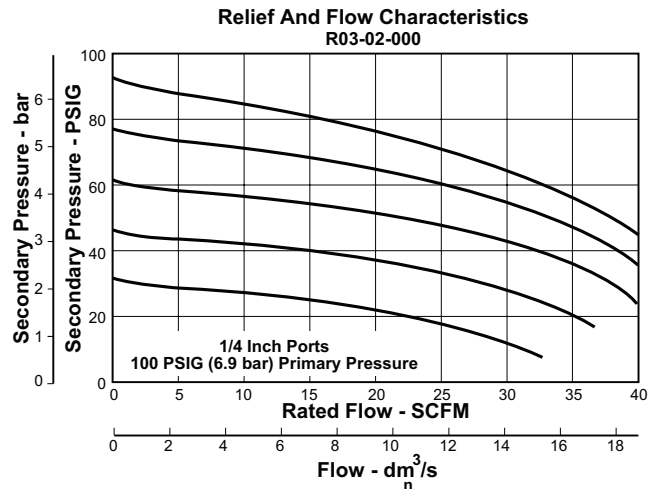
- Panel Mount Nuts* –
 Plastic P78652
 Metal P01531

*Tighten panel mount nut 2.8 to 3.4 Nm (25 to 30 in-lbs) of torque.

= "Most Popular"



B



Ordering Information					
Model Type	Port Size	Without Gauge 2 to 125 PSIG (0.2 to 8.6 bar)	Without Gauge 1 to 60 PSIG (0.2 to 4.1 bar)	Without Gauge 1 to 30 PSIG (0.2 to 2.1 bar)	Without Gauge 1 to 15 PSIG (0.2 to 1.0 bar)
Relieving	1/8	R03-01-000	R03-01-L00	R03-01-P00	R03-01-Q00
	1/4	R03-02-000	R03-02-L00	R03-02-P00	R03-02-Q00

Options - To order an option supplied with the unit model, add the appropriate coded suffix letter in the designated position of the model number.