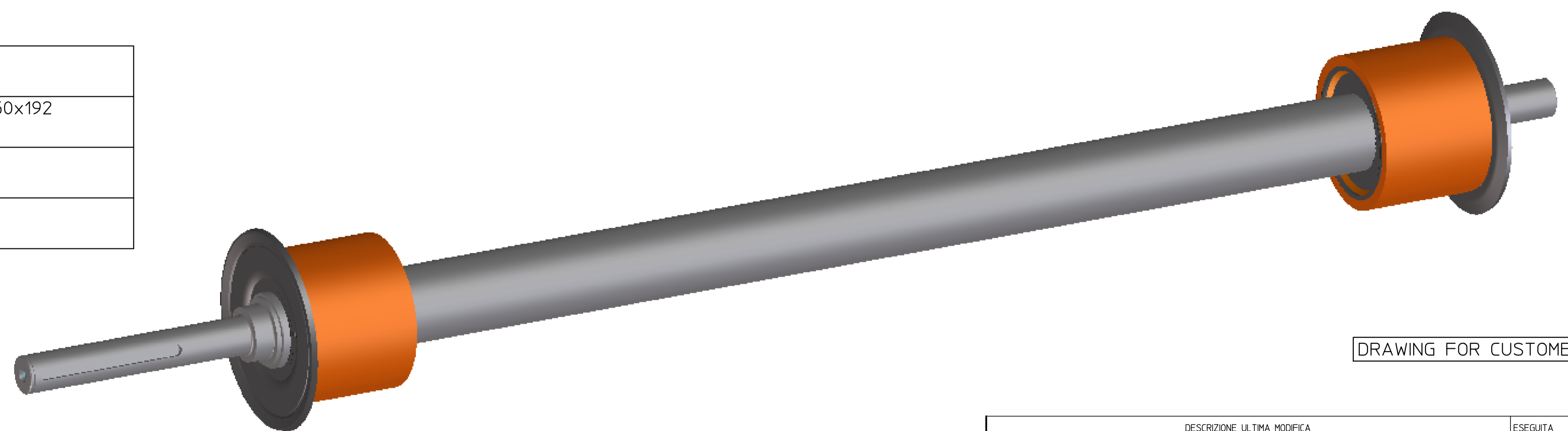


- | | |
|---|---|
| 1 | Pipe dia. 70x8 mm EN 10025-S235 or similar/higher. |
| 2 | Spindle dia. 35/50x81,5 mm EN 10025-S355 and spindle 35/50x192 EN 10025-S355 threaded hole M12x30 and keyway 70x10x5. |
| 3 | Flange dia. 183x6 (hardened) and flange dia. 112x5 mm made by EN 10111 DD11 or similar/higher. |
| 4 | Polyurethane coating hardness 95 +/-3 Shore A. |



DRAWING FOR CUSTOMER

DESCRIZIONE ULTIMA MODIFICA		ESEGUITA	APPROV.
00	-	Rizza	-
DENOMINAZIONE			
D140/70/50/35 DRIVE ROLLER			
POLYURETHANE COATED - HARDENED FLANGES D183			
TOLLERANZE DIM. E FORMA:		T268-01-00 T268-03-00	
SALDATURE: T287-01-00		MODIFICHE	
DIS. Rizza DATA 27/10/16		SCALA 1:1	FORM.
CONTR. Rizza APPROV. Pace		PESO-	A1
DIS.N. 332209F		M12	DATA 00 27/10/16 4007
SOSTITUISCE -		SCHEDA N°	