

DALI USB

PC interface module for DALI systems

Product description

- Interface module from USB to a DALI system
- For connecting Tridonic software tools
- Addressing, programming and parametrising DALI installations and Tridonic devices
- Power supply via DALI line and USB interface
- 5-year guarantee



Wiring diagrams and installation examples, page 3

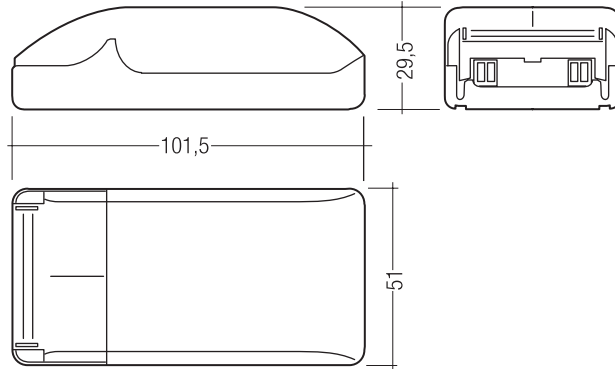


DALI USB

PC interface module for DALI systems

Technical data

Supply via	DALI cable and USB interface
Current draw	6 mA from DALI
Input	1 USB (Personal Computer)
Output	DALI
Ambient temperature t_a	0 ... +50 °C
Type of protection	IP20



Ordering data

Type	Article number	Packaging, carton
DALI USB	24138923	50 pc(s).

DALI standard

The DALI USB is designed to control control gear with DALI standard IEC 60929 (DALI V0) and IEC 62386 (DALI V1).

Glow-wire test

according to EN 60598-1 passed.

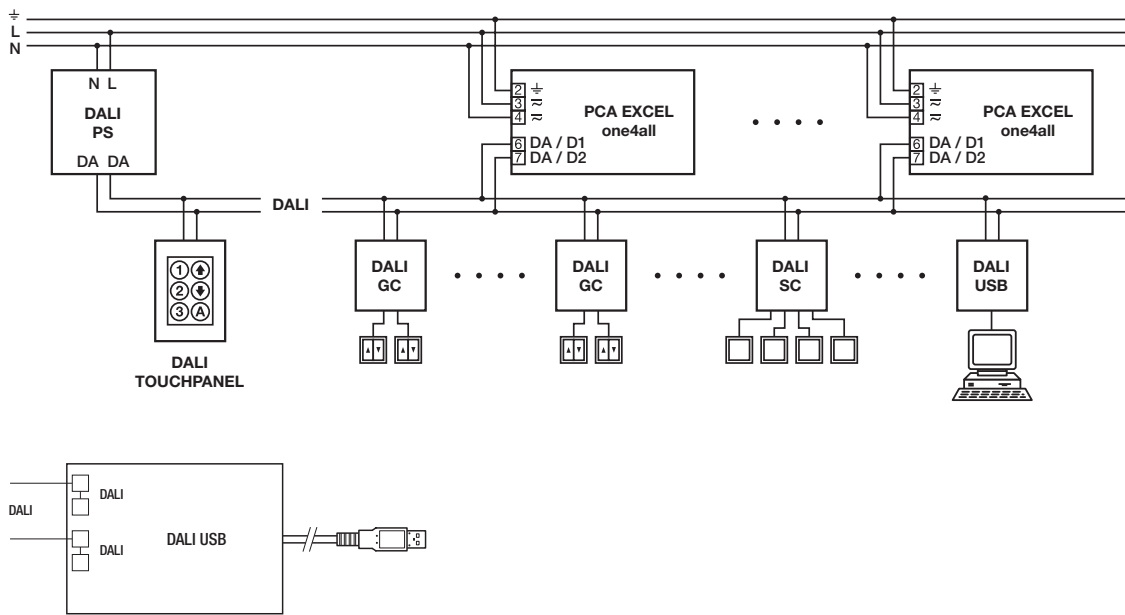
The interface module DALI USB is used to connect Personal Computers directly to the DALI network.

This means that complex DALI lighting control solutions can be easily addressed and programmed and that the parameters of the ballasts can be changed.

Attention

The DALI USB cannot be used together with winDIM.

Wiring



Connection diagram

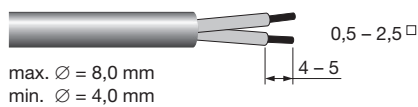
Note

The connection to the DALI-line is polarity free.
230 V on the DALI-line can destroy DALI USB!

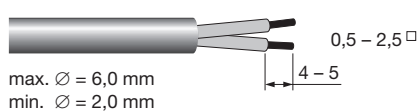
Wiring type and cross section

The wiring can be in stranded wires with ferrules or solid. For perfect function of the cage clamp terminals the strip length should be 4 – 5 mm for the input terminal.
The max. torque at the clamping screw (M3) is 0.2 Nm.

Side D2



Side D1



To get a proper working strain relief it is recommended that the cable jacket diameter of the side D2 is 2 mm bigger than the diameter of the side D1. (This can vary if the used cable jacket material varies from side D2 to D1 in pinching property).

