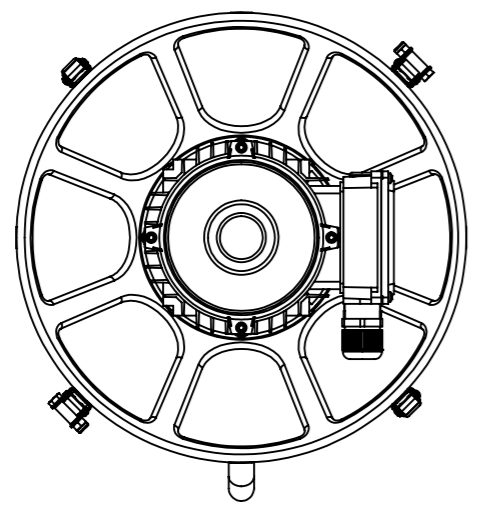
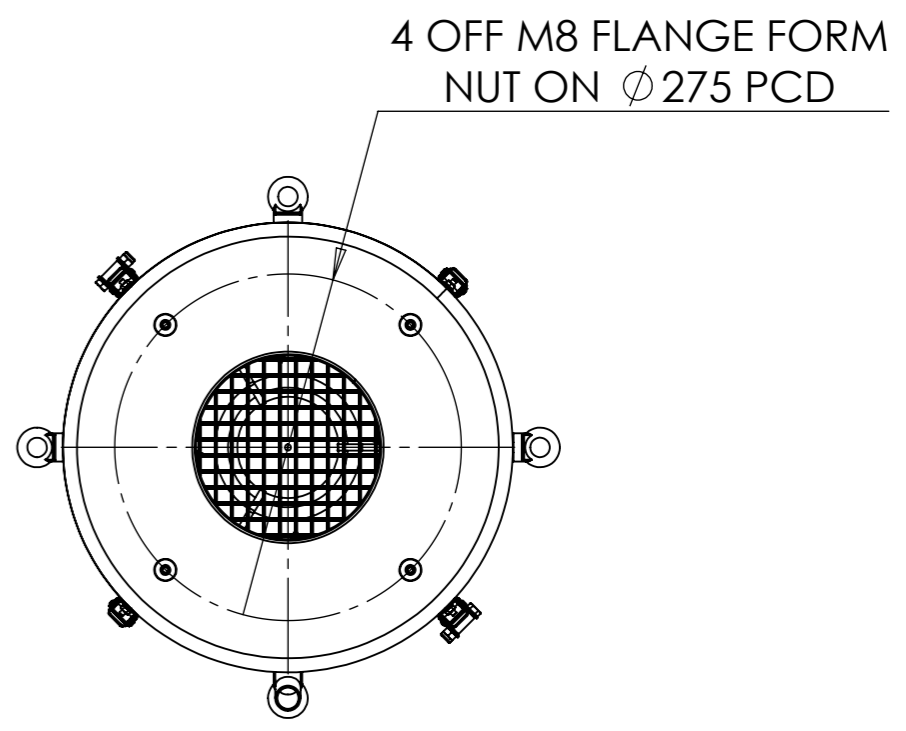
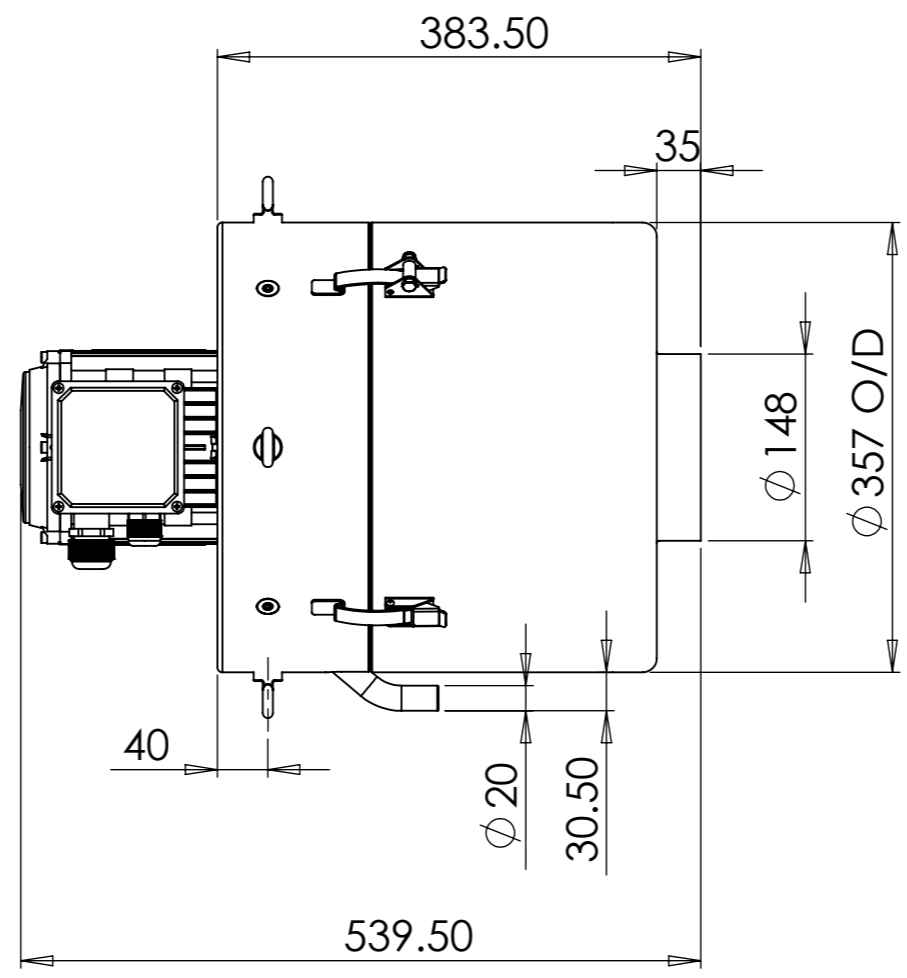


FILTER WITH EYE BOLTS



FILTER WITHOUT EYE BOLTS



4 OFF M8 FLANGE FORM NUT ON Ø 275 PCD

KEY TO WELDING SYMBOLS : BSS 499 pt 2 : 1980

Shape of weld surface	Convex	Flat(Flush)	Concave
Fillet	square butt	single V butt	Concave
double V butt	single bevel	double bevel	spot
Single U butt	double U butt	sealing run	seam
		plug or slot	site Weld

Symbols inverted and suspended from reference line indicate welds made on arrow side of joint.

Symbols on reference line indicate welds made on other side of joint.

- MACHINED COMPONENTS
- All dimensions are in mm's
  - Dimensions and tolerances are in accordance with BS308.
  - Tolerances unless otherwise stated :-
    - Linear dimensions 0 - 100 inclusive ± 0.25 mm
    - " " 101 - 1000 inclusive ± 0.5 mm
    - " " over 1000 ± 1.0 mm
  - Remove all burrs and sharp edges
  - Surface textures to be controlled in accordance with AESSE(E)6058 Machined surfaces 1.6 microns unless stated otherwise
  - Components to be marked with their identification number where marked thus:
- UNLESS STATED OTHERWISE ALL MACHINING AND DRILLING TO BE AFTER FINAL WELDING & STRESS RELIEVING

MATERIAL	-	TITLE	FX4002 UNIT	
WEIGHT	24kg	Part No.	FX4002	PROJ No.
FINISH	-	PROJECT	FX4000	DRG No.
				APP

SHT	2 OF 2	REV	01	FX4002
DRN	SB	18/06/12	CAD REF	
A3 SCALE	1:6			

This drawing is copyright and contains information which is the property of Filtermist International Ltd. It has been furnished for the specific use of the referenced project, and must not be copied, in whole or in part, or used for manufacture, or disclosed without the written consent of Filtermist International Ltd.

Copyright Filtermist International Ltd.

## FILTERMIST

INTERNATIONAL LIMITED

support@filtermist.com      www.filtermist.com

Faraday Drive,  
Stourbridge Road,  
BRIDGNORTH  
Shropshire      WV15 5BA

Tel +44 (0)1746 76 53 61  
Fax +44 (0)1746 76 68 82