

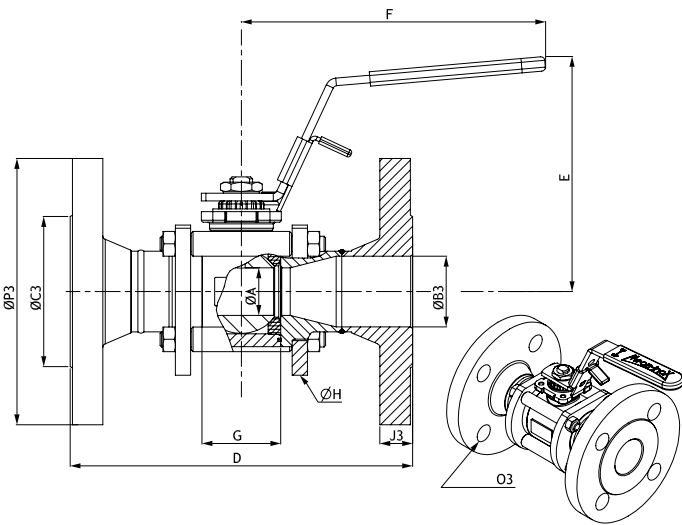
ANSCHLÜSSE TYPE OF CONNECTIONS

Flansch

DN 15 - 65
Reduzierter Durchgang - PN 40

Flanged

Size 1/2" to 2 1/2"
Reduced bore - PN40

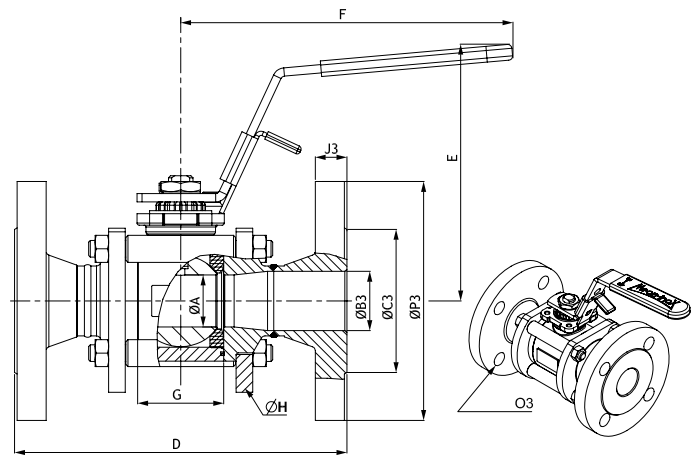


Flansch

DN 15 - 50
Voller Durchgang - PN 40

Flanged

Size 1/2" to 2"
Full bore - PN40



DN Size	PN	Ø A	Ø B3	Ø C3	D	E	F	G	Ø H	J3	O3	Ø P3	ISO 5211	Gewicht (kg) Weight (kg)	
V • Reduzierter Durchgang / Reduced bore															
15	1/2"	40	11.1	17.3	45	130	123	120	20.4	56	16	4xØ14 / Ø65	95	F03	1.930
20	3/4"	40	14	22.3	58	150	126	120	24.4	63	18	4xØ14 / Ø75	105	F03	2.690
25	1"	40	19	28.5	68	160	145	160	31.6	80	18	4xØ14 / Ø85	115	F04	3.910
32	1 1/4"	40	25	37.2	78	180	149	160	41.4	88	18	4xØ18 / Ø100	140	F04	5.490
40	1 1/2"	40	32	43.1	88	200	160	190	48.2	104	18	4xØ18 / Ø110	150	F05	7.120
50	2"	40	38	54.5	102	230	165	190	56.2	117	20	4xØ18 / Ø125	165	F05	9.440
65	2 1/2"	40	50	70.3	122	290	180	230	71	148	22	8xØ18 / Ø145	185	F07	15.370
N • Voller Durchgang / Full bore															
15	1/2"	40	14	17.3	45	130	126	120	24.4	63	16	4xØ14 / Ø65	95	F03	2.250
20	3/4"	40	19	22.3	58	150	145	160	31.6	80	18	4xØ14 / Ø75	105	F04	3.470
25	1"	40	25	28.5	68	160	149	160	41.4	88	18	4xØ14 / Ø85	115	F04	4.330
32	1 1/4"	40	32	37.2	78	180	160	190	48.2	104	18	4xØ18 / Ø100	140	F05	6.880
40	1 1/2"	40	38	43.1	88	200	165	190	56.2	117	18	4xØ18 / Ø110	150	F05	8.080
50	2"	40	50	54.5	102	230	180	230	71	148	20	4xØ18 / Ø125	165	F07	13.890

ANSCHLÜSSE TYPE OF CONNECTIONS

Flansch

DN 80 - 200
Reduzierter Durchgang

Flanged

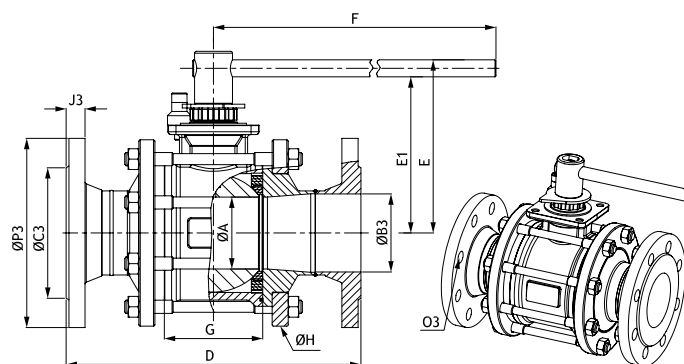
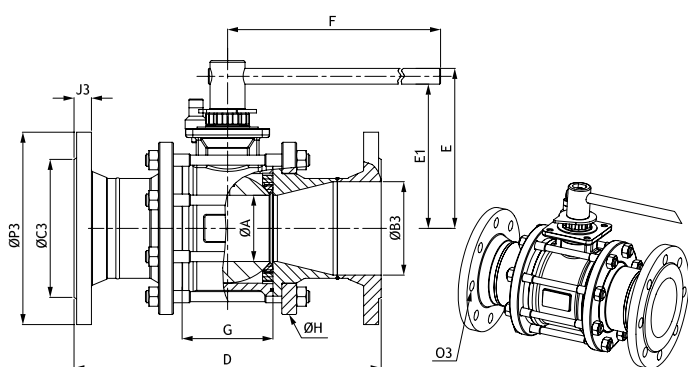
Size 3" to 8"
Reduced bore

Flansch

DN 65 - 150
Voller Durchgang

Flanged

Size 2 1/2" to 6"
Full bore



DN Size	PN	Ø A	Ø B	Ø C3	D	E	E1	F	G	Ø H	J3	O3	P3	ISO 5211	Gewicht (kg) Weight (kg)	
V • Reduzierter Durchgang / Reduced bore																
80	3"	40	64	82.5	138	310	171	153	370	84	174	24	8xØ18 / Ø160	200	F07	22.920
100	4"	16	76	107.1	162	350	182	165	440	104	197	24	8xØ22 / Ø190	235	F10	39.520
125	5"	16	100	131.7	188	400	204	184	505	130	236	22	8xØ18 / Ø210	250	F10	48.720
150	6"	16	125	159.3	212	480	248	221	710	155	288	22	8xØ22 / Ø240	285	F12	79.450
200	8"	16	150	207.3	268	600	270	243	710	183	324	24	12xØ22 / Ø295	340	F12	120.810
N • Voller Durchgang / Full bore																
65	2 1/2"	40	64	70.3	122	290	171	153	370	84	174	22	8xØ18 / Ø145	185	F07	20.840
80	3"	40	76	82.5	138	310	182	165	440	104	197	24	8xØ18 / Ø160	200	F10	30.150
100	4"	16	100	107.1	162	350	204	184	505	130	236	24	8xØ22 / Ø190	235	F10	43.840
125	5"	16	125	131.7	188	400	248	221	710	155	288	22	8xØ18 / Ø210	250	F12	72.210
150	6"	16	150	159.3	212	480	270	243	710	183	324	22	8xØ22 / Ø240	285	F12	100.850