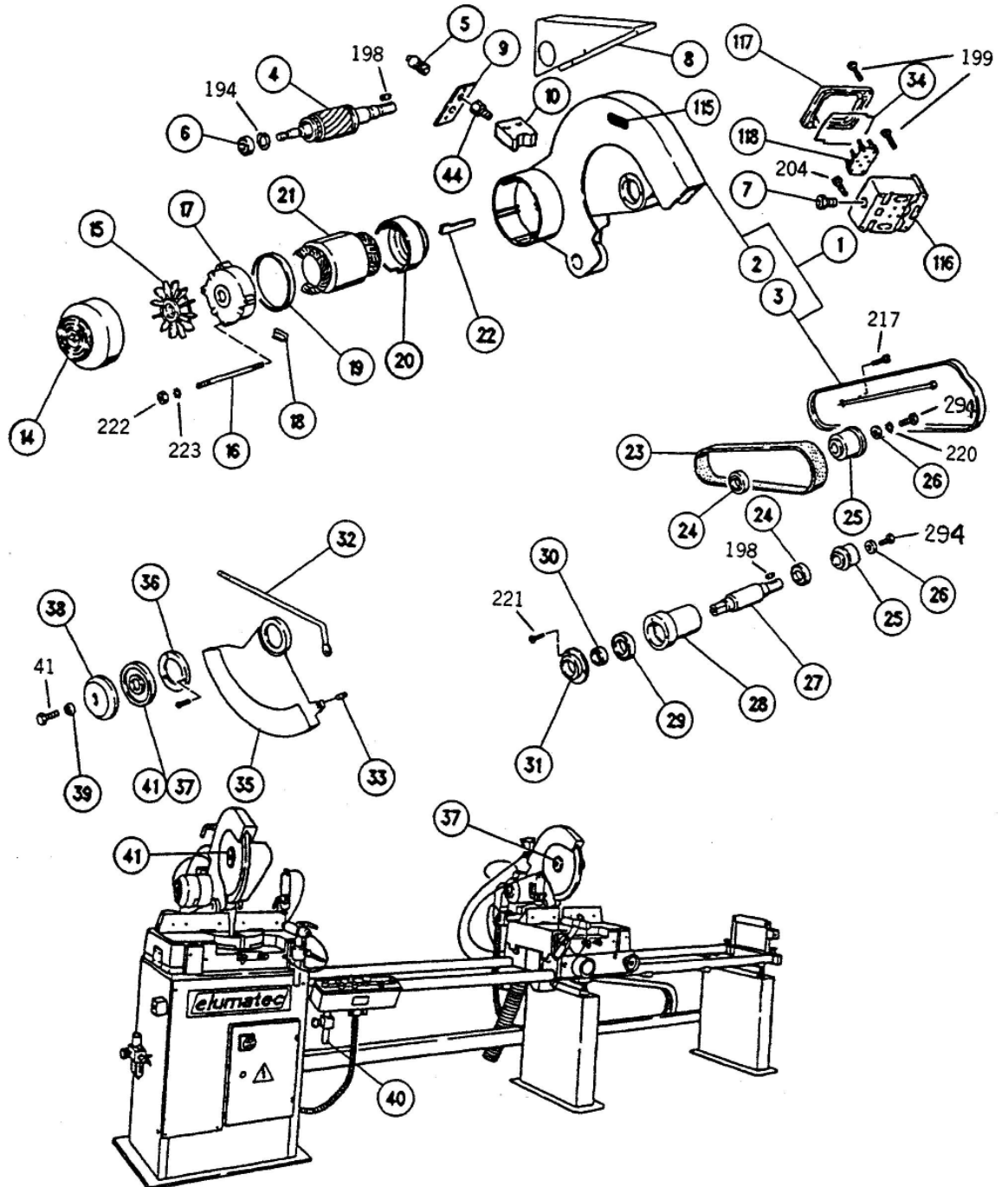
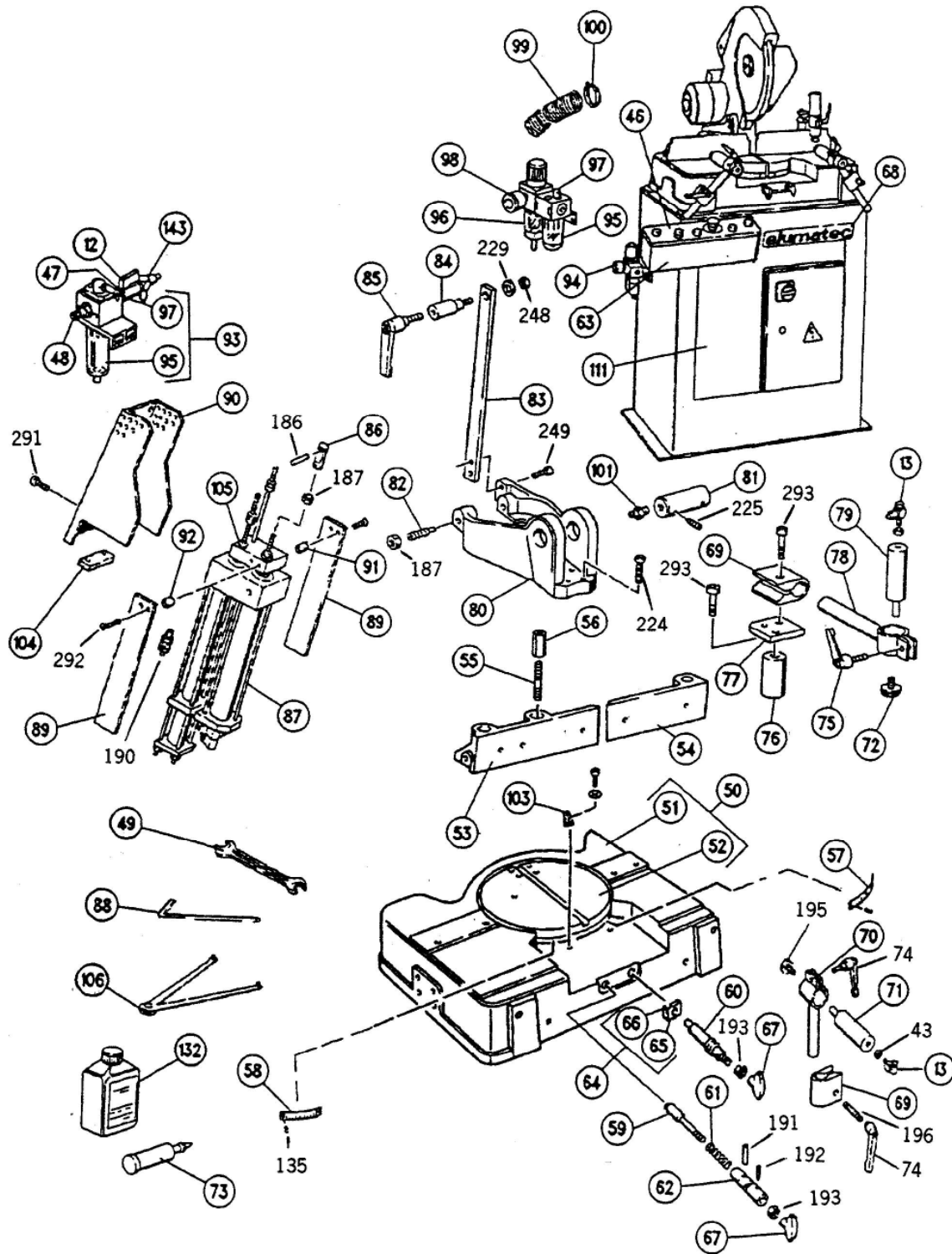
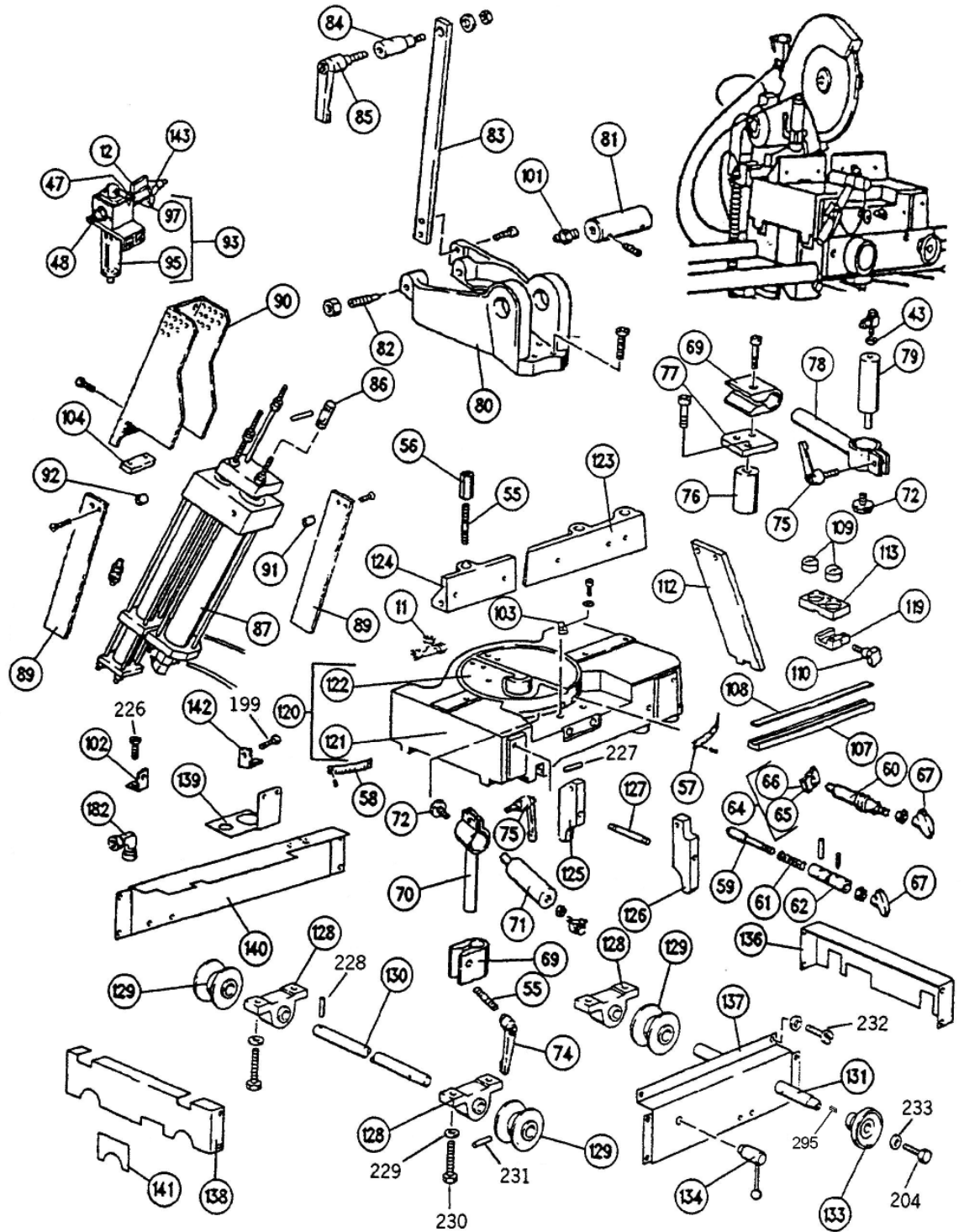


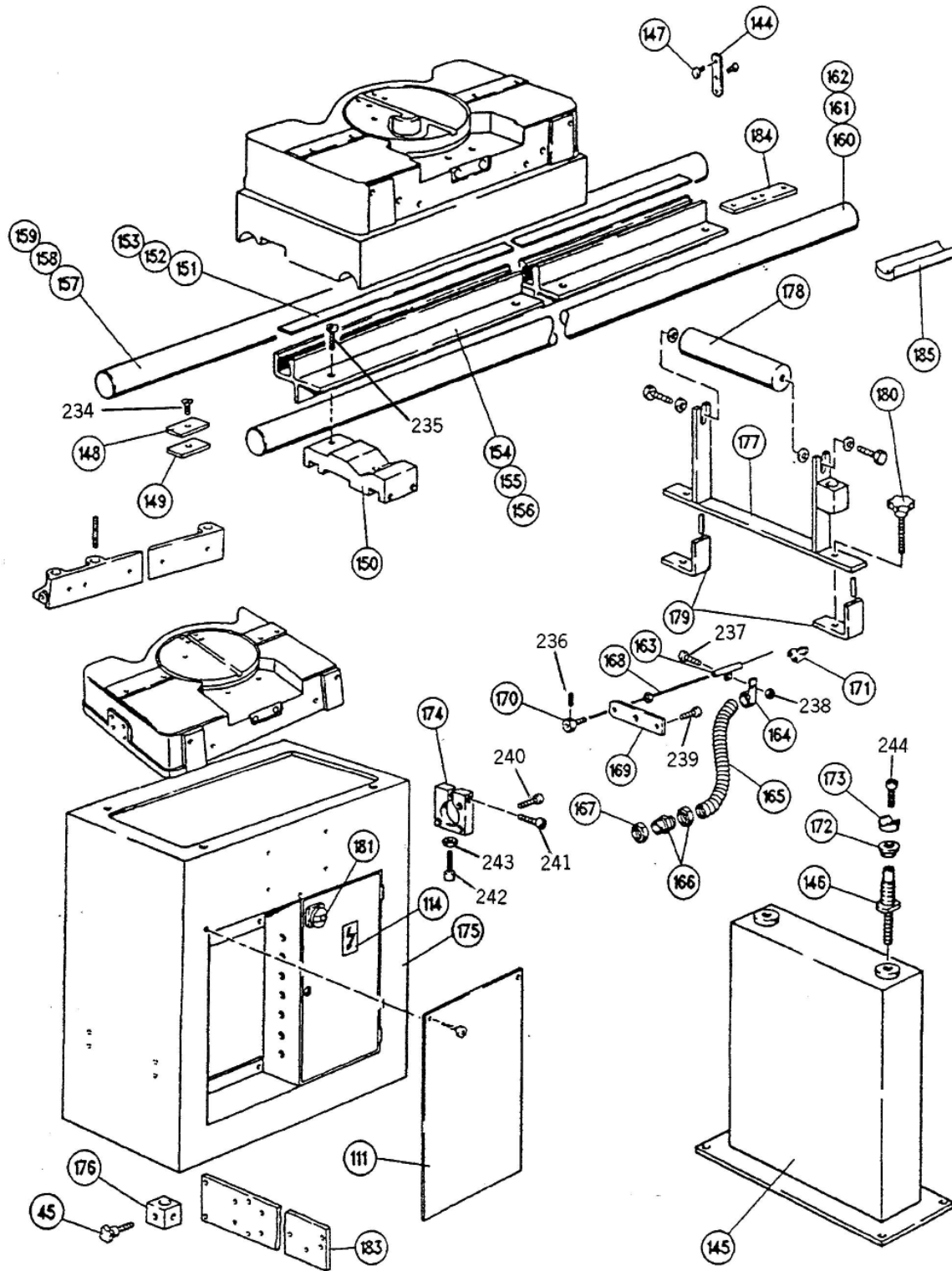
1. Replacement Parts

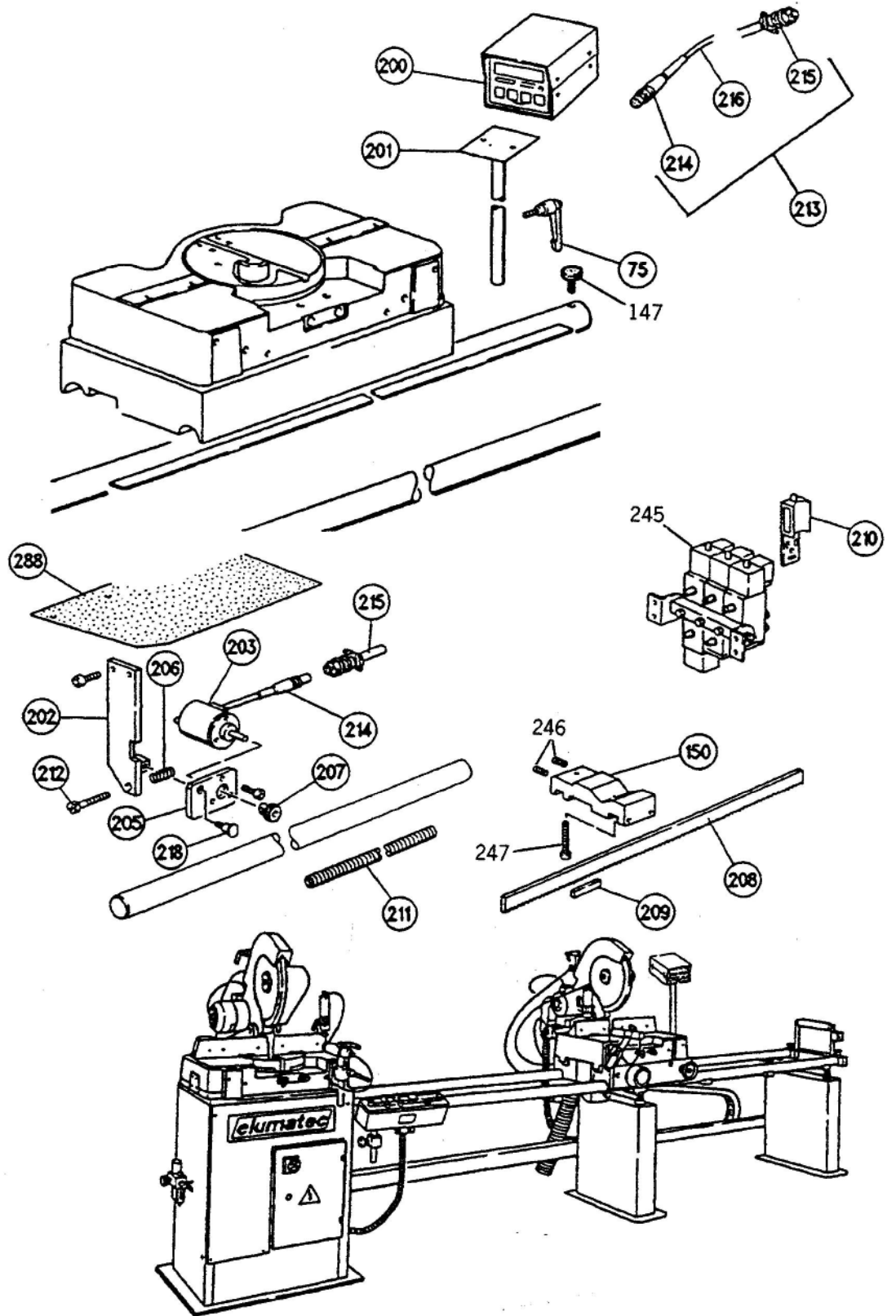
1.1 Illustrated Parts

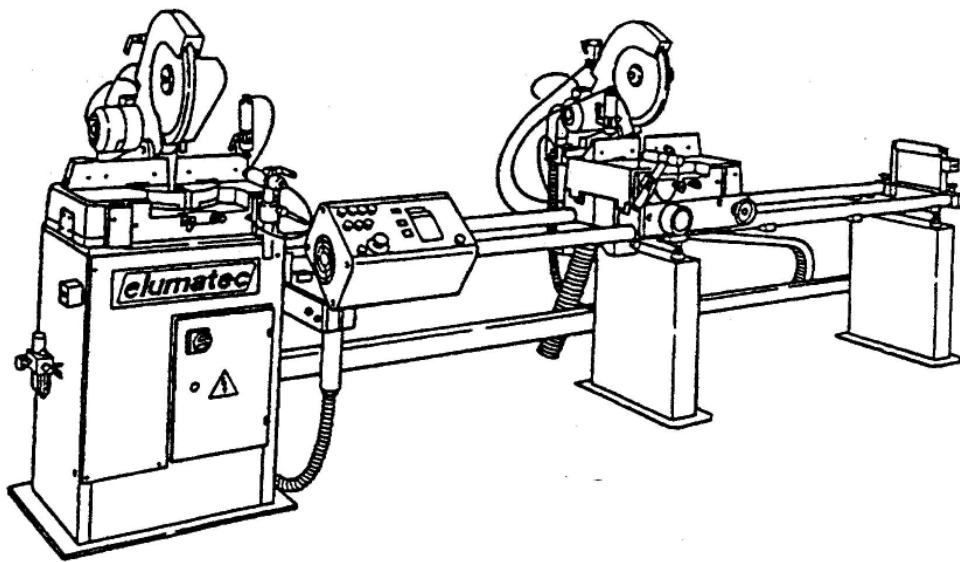
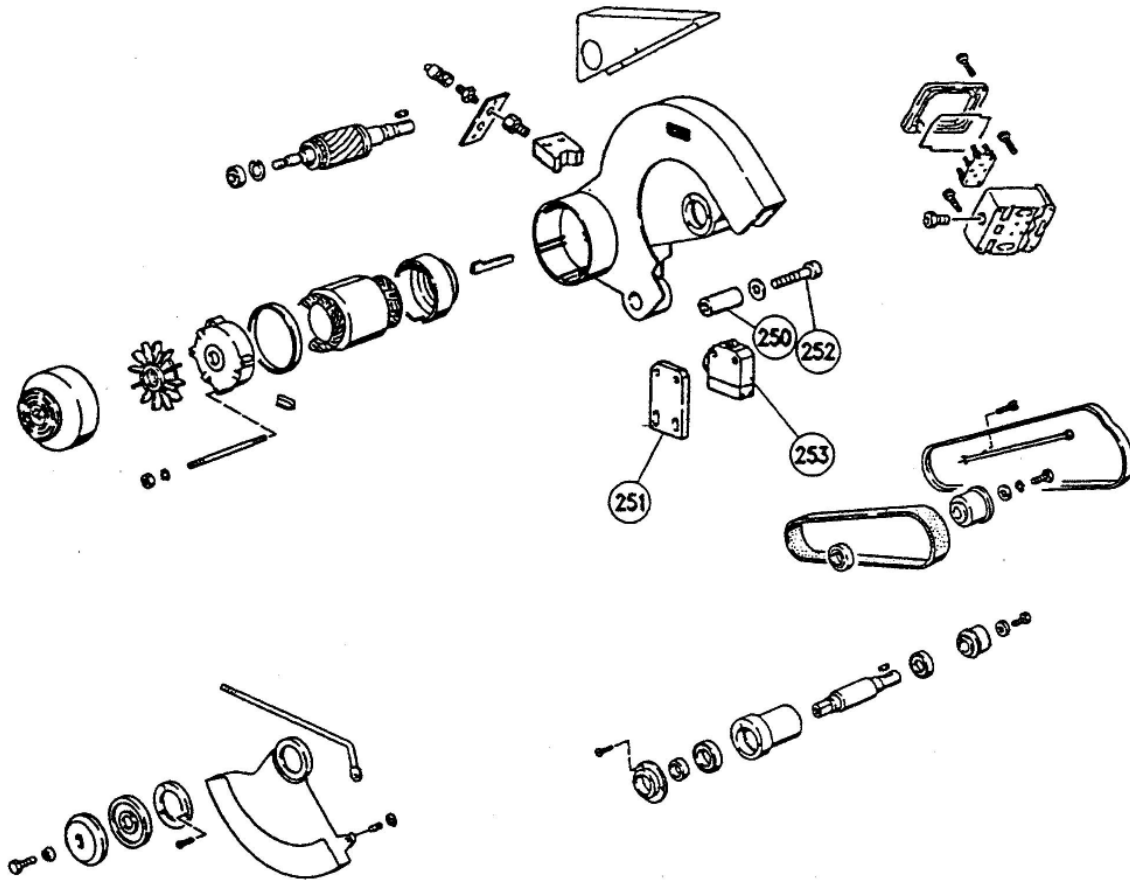


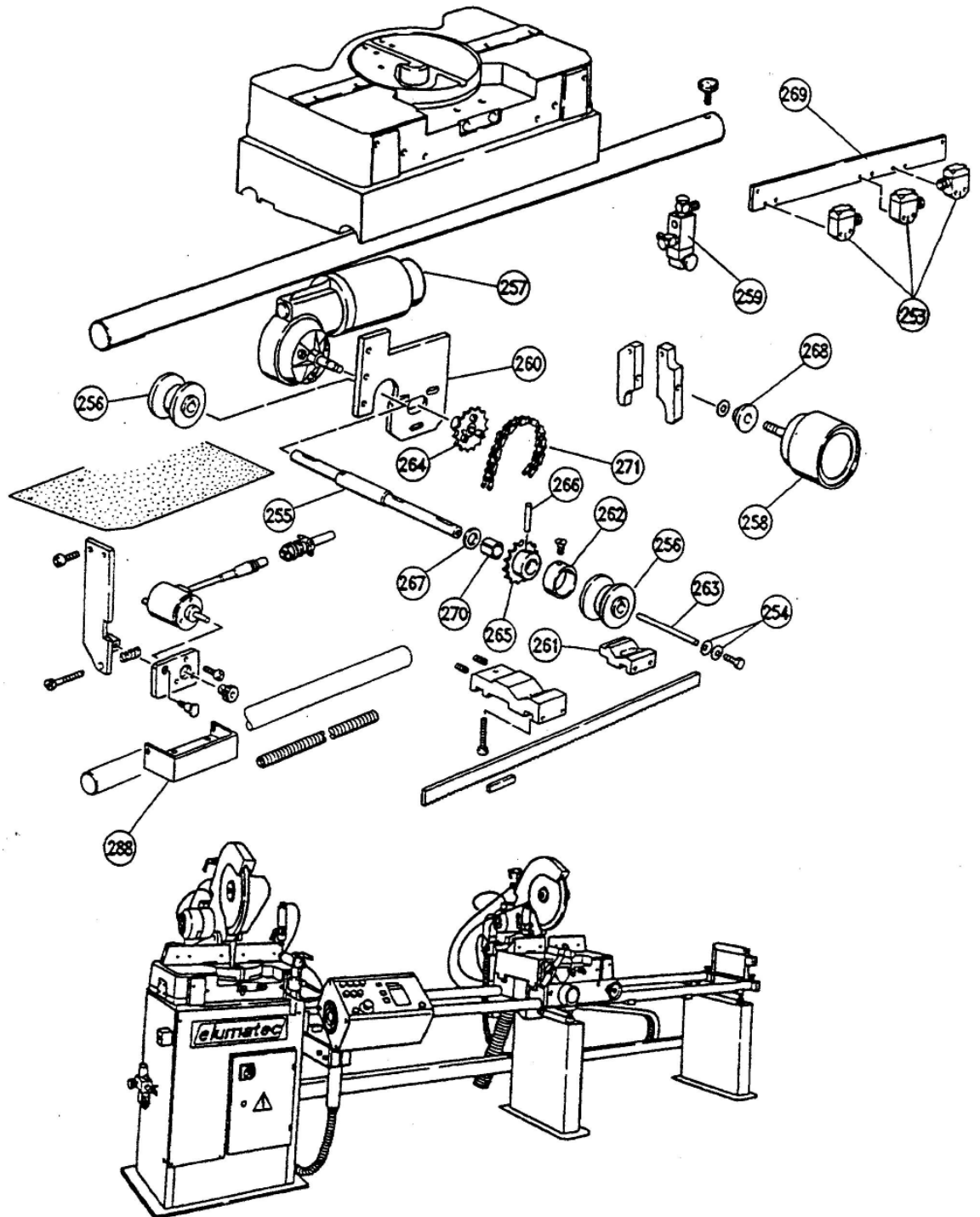


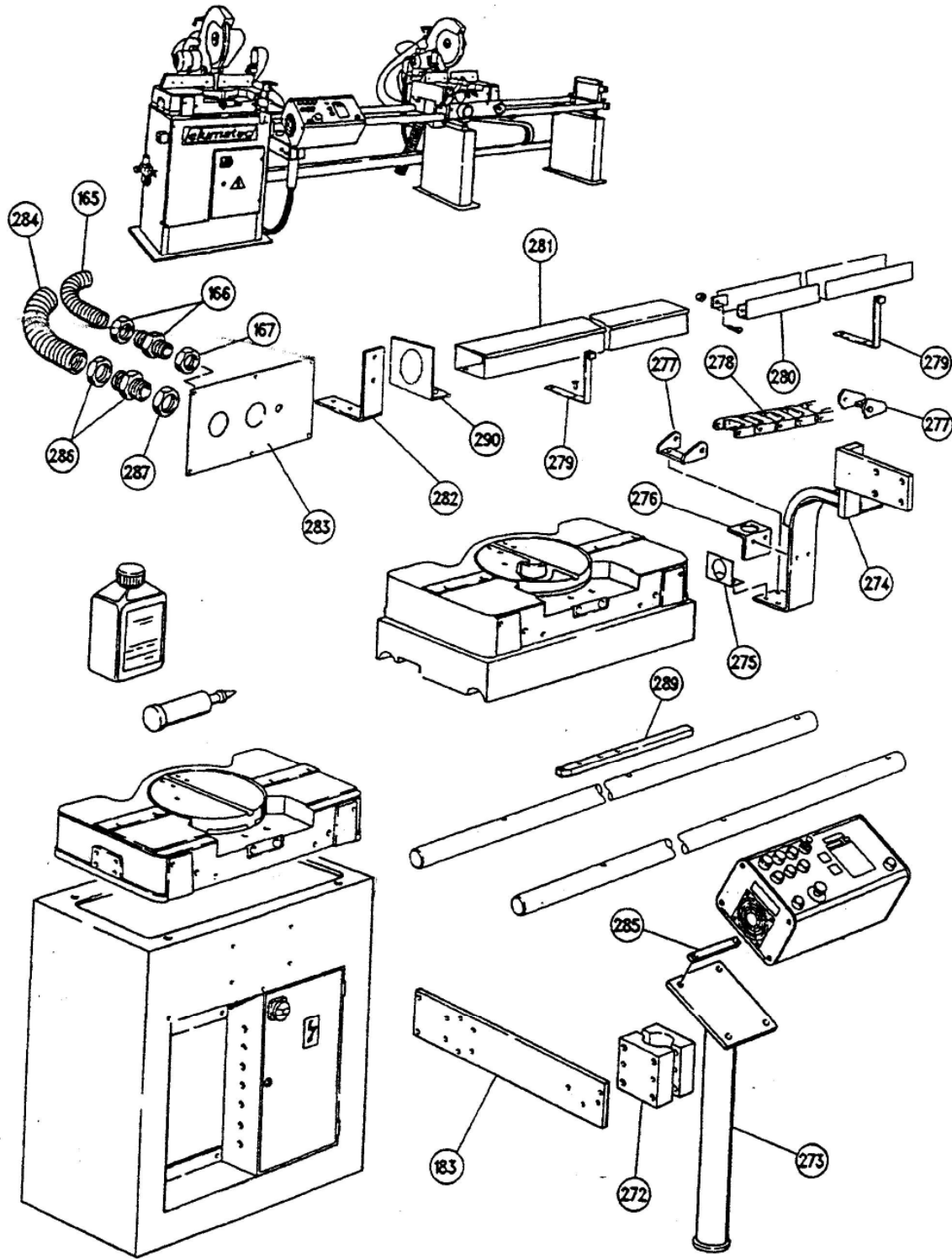












Ref. No.	Part Number	Description
1	073100104	Saw Housing Assembly (items 2 & 3)
2	072120108	Saw Housing
3	073120200	Belt Cover
4	073100202	Motor Rotor
5	070211800	Straight Fitting: G 1/8 x 6/4 Tubing
6	003830000	Ball Bearing: 6202 DUU
7	101161201	PG11 Cord Grip
8	072114901	Guard
9	073211400	Mounting Plate: 64 mm x 29 mm x 1.5 mm
10	104118300	Spray Mist Nozzle
11	072216800	'T' Fitting: 6/4 Tubing
12	024288200	G 1/8 Shut Off Valve
13	073211805	G 1/8 x 6/4 Hose Elbow
14	033120800	Fan Cover
15	172130500	Motor Fan
16	073910181	Motor Stud: M5 x 225 mm long
17	072120208	Motor End Cover
18	033163801	Cover Plate
19	072123701	Sealing Ring: 125 mm dia. x 24.5 mm wide
20	072120808	Motor Front Cover
21	104102107	Motor Stator: 240-480V, 60 Hz.
22	072125700	Holding Block
23	072924641	Drive Belt: 13 PJ 723
24	104830001	Ball Bearing: NSK #6004 DDU
25	072121400	Motor Spindle Pulley: 49.5 mm (1.95") dia.
	072121401	Blade Spindle Pulley: 64.5 mm (2 1/2") dia.
26	072930178	Conical Spring Washer
27	073151200	Blade Spindle
28	072128301	Eccentric Bearing Sleeve
29	009830000	Ball Bearing: NSK #6205 DDU
30	073123700	Spacer: 32 mm OD x 20 mm ID x 10 mm wide

Ref. No.	Part Number	Description
31	073121000	Bearing Shell
32	073122602	Swinging Guard Draw Bar
33	073123501	Swinging Guard Pivot Shaft
34	088207053	3 mm Rubber Cord
35	072120807	Swinging Guard
36	073120600	Bearing Cover Plate
37	073125401	Blade Washer: Inner (80 mm OD x 20 mm ID x 15 mm wide)
38	072125402	Blade Washer: Outer (80 mm OD x 20 mm ID x 13 mm wide)
39	071120602	Washer
40	079111802	Console Mounting Bracket
41	071814100	Blade Bolt: M10 x 20 LH
42	006822700	M5 Hex Nut
43	101210500	R 1/8 Aluminum Sealing Ring
44	120217203	G 1/8 Male/Female Nipple
45	006824200	Threaded Knob: 50 mm OD, M10 x 50 mm long stud
46	073163500	Switch Panel Cover
47	070217204	Reducer Nipple: G 1/4 x G 1/8
48	070211802	Swivel Elbow: G 1/4 x 6/4 Tubing
49	018351300	13 mm x 17 mm Open End Wrench
50	072106602	Bed/Table Assembly (Stationary Head)
51	079115109	Stationary Saw Bed
52	072115103	Rotating Saw Table (Stationary Head)
53	072113805	Back fence: Left (Stationary Head)
54	079113815	Back fence: Right (Stationary Head)
55	070812800	M10 x 50 Stud
56	079112402	M10 Coupling Nut
57	072051005	Graduated Scale: Right Side
58	072051005	Graduated Scale: Left Side
59	072112604	Detent Pin
60	072111502	Locking Spindle

Ref. No.	Part Number	Description
61	072931089	Compression Spring
62	072117600	Eccentric Sleeve
63	073160100	Switch Enclosure
64	072111700	Pressure Pad Assembly (items 65 & 66)
65	072111701	Pressure Pad
66	072111702	Brake Pad: 10 mm x 16 mm x 4 mm
67	071921305	Knob: M6 thread
68	104050400	'elumatec' Logo: 100 mm x 438 mm
69	079116533	Clamp Holder
70	078216902	Cylinder Holder
71	102117302	Clamp Cylinder
72	078117200	Rubber Clamp Pad: 30 mm OD x 10 mm Thick x M8 Stud
73	079277500	Refillable Grease Gun
74	011233200	'Kipp' Handle: M10 Thread
75	078233201	'Kipp' Handle: M8 x 20 Stud
76	079111403	Clamp Tube: 30 mm OD x 77 mm Long
77	073111719	Support Plate: 50 mm x 65 mm x 8 mm
78	079111804	Cylinder Holder
79	073117301	Clamp Cylinder
80	072113404	Swivel Yoke
81	072112605	Pivot Pin
82	073112600	Threaded Pin: M12 x 52
83	072126301	Pull Bar
84	072123501	Guide Bolt: 22 mm Dia x 63 Long
85	078233200	'Kipp' Handle: M6 x 15 Stud
86	073110600	Cylinder Rod Eye
87	073117309	Head Feed Cylinder: Hoerbiger #PD34901-0220
	073970904	Seal Replacement Kit for 073117309 Cylinder
88	011351401	Hex Key: 8mm
89	073110022	Cylinder Side Guard Plate
90	073118200	Rear Cylinder Guard

Ref. No.	Part Number	Description
91	073117602	Spacer: 8 mm OD x 6 mm ID x 7 mm Long
92	073117603	Spacer: 8 mm OD x 6 mm ID x 14 mm Long
93	070218900	Spray Mist Lubricator: Hoerbiger #SL-1/4-W-S0
94	070216305	Filter-Regulator: Hoerbiger #SK-1/4-HMW-S0 (Note: the drawing shows a filter-regulator-lubricator; this lubricator has not been used since 1997)
95	070270513	Replacement Lubricator Bowl: Hoerbiger #PL16946
96	070270512	Replacement Filter Bowl: Hoerbiger #PL16790
97	070212400	Replacement Lubricator Sight Glass: Hoerbiger #PL16043
98	070216000	40 mm Pressure Gauge: 0-10 bar (0-140 psi)
99	088207015	Chip Removal Hose: 80 mm ID x 1 m Long
100	073122100	Hose Clamp
101	034940402	Grease Nipple
102	079113821	LH Fastening Angle
103	072050900	Pointer
104	073111708	Spacer Plate: 25 mm x 58 mm x 10 mm
105	073931429	Washer: 23 mm OD x 12.2 mm x 1 mm
106	072351600	Pin Spanner
107	079116322	Scale Mounting Strip
108	104051004	Scale
109	104116533	Magnifying Lens
110	025922908	Knob: M6 x 16 Stud
111	079110034	Filler Panel (Note: Pneumatic Valves and Switches are behind this panel)
112	079116534	Lens Holding Plate
113	104116533	Lens Holder
114	073050900	High Voltage Decal
115	021050900	Rotation Arrow Decal
116	033166000	Motor Terminal Box
117	033163500	Motor Terminal Box Cover
118	070161500	Motor Terminal Board
119	104116534	Holder

Ref. No.	Part Number	Description
120	079106604	Moving Head Table Assembly
121	079115110	Moving Saw Bed
122	072115108	Rotating Saw Table (Moving Head)
123	072113804	Back Fence: Right (Moving Head)
124	079113815	Back fence: Left (Moving Head)
125	079114312	Clamp, Rear: 35 mm x 20 mm x 138 mm
126	079114311	Clamp, Front: 40 mm x 20 mm x 138 mm
127	079111503	Locking Spindle
128	079980500	Pillow Bearing
129	079116804	Carriage Roller
130	079112300	Axle: 20 mm dia. x 433 mm long
131	079112305	Hand Wheel Axle: 20 mm dia. x 488 mm long
132	088907096	Cutting Fluid, 1/2 liter (replace w/999-C6000 (1 gal.))
133	079111600	Hand Wheel
134	029920407	Locking Handle
135	001816000	Rivet: 2mm dia x 5 mm
136	079110021	Right Side Base Cover
137	079110018	Front Base Cover
138	079110020	Left Side Base Cover
139	079116529	Conduit Mounting Plate
140	079110037	Rear Base Cover
141	079110200	Wiper
142	079113820	RH Fastening Angle
143	073213701	Flow Control Valve ('A') (Clamping Cylinders)
144	104116349	Stop Bracket: 30 mm x 10 mm x 90 mm
145	079112009	Support Leg (used only on open base saws)
146	079112603	Adjusting Bolt (used only on open base saws)
147	030127201	Rubber Buffer
148	079111718	Scale Clamp Plate: 16 mm x 3 mm x 16 mm
149	079111717	Scale Pressure Plate: 16 mm dia. x 2 mm
150	079116520	Toothed Rack Holder

Ref. No.	Part Number	Description
151	079051010	Scale: 20 mm wide x 3 m long
	079051015	Scale: 20 mm wide x 10 ft. long
152	079051011	Scale: 20 mm wide x 4.5 m long
	079051016	Scale: 20 mm wide x 15 ft. long
153	079051012	Scale: 20 mm wide x 6 m long
	079051017	Scale: 20 mm wide x 20 ft. long
154	079116319	Scale Mounting Extrusion: 3 m saw
155	079116307	Scale Mounting Extrusion: 1.5 m extension
156	079116308	Scale Mounting Extrusion: 3 m extension
157	079110527	Front Base Rail: 3 m saw
158	079110525	Front Base Rail: 1.5 m extension
159	079110526	Front Base Rail: 3 m extension
160	079110524	Rear Base Rail: 3 m saw
161	079110522	Rear Base Rail: 1.5 m extension
162	079110523	Rear Base Rail: 3 m extension
163	079116200	Wire Cable Support ('T')
164	079165700	Conduit Support: PG29 Conduit
165	088207013	PG29 Conduit
166	079161201	Conduit Connector: PG29 Conduit
167	079165900	PG29 Conduit Nut
168	088030080	4 mm dia. Wire Rope
169	079112200	Strap: 32 mm x 12 mm x 150 mm
170	079117100	Clamp Screw
171	078983001	Wire Rope Clamp
172	079921018	M22 Hex Nut
173	079116000	Rail Support
174	079112206	Clamp Bracket
175	073112005	Base Cabinet
176	102111802	Switch Panel Mounting Block

Items 177-180 are parts of 079107901 option

177	079116525	Fixed Work piece Support Base
178	079116803	Roller: 50 mm dia. x 260 mm wide
179	102113801	Clamping Angle

Ref. No.	Part Number	Description
180	102117104	Clamping Screw
181	073160300	Main Switch: Telemecanique #V0
182	079211801	Elbow: 6/4 Tubing
183	079230205	Console Mounting Plate: 80 mm x 10 mm x 460 mm
184	104112203	Extrusion Connection Plate: 30 mm x 6 mm x 145 mm
185	104117404	Rail Connection Saddle
186	130810106	Dowel Pin: 10m6 x 28
187	011822800	M12 Hex Nut
188	073213701	Flow Control Valve ('A')
189	006820600	M5 Internal Tooth Lock Washer
190	070211800	G 1/8 x 6/4 Hose Connector
191	038810200	Spring Roll Pin: 4 mm dia. x 14 mm
192	072815900	M6 x 10 SSS
193	009822700	M6 Hex Nut
194	024821200	Internal Retaining Ring: J35
195	078117201	Rubber Clamp Pad: 40 mm OD x 10 mm x M8 Stud
196	070812800	M10 x 50 Stud
197	011813202	M8 x 20 Socket Head Cap Screw
198	072827000	Key: 4 mm x 4 mm x 22 mm
199	001811101	M4 x 10 CHMS
200	079167518	E 111 Display Unit
201	079112011	E 111 Support Stand
202	079230202	Fastening Plate
203	079167503	250 ppr Encoder: Wachendorff #WDG 58B-250-AB-PP-05
204	001814000	M6 x 30 HHCS
205	079230203	Encoder Holder Plate: 115 mm long
206	055934013	Compression Spring
207	079232000	Encoder Gear
208	104110516	Encoder Rack: 500 mm long

Ref. No.	Part Number	Description
209	079116318	Encoder Rack Spacer
210	104167508	Suppressor Unit w/LED
211	088207012	PG13 Conduit
212	024813204	M6 x 45 SHCS
213	079101916	Encoder Signal Cable: made from items 214 to 216
214	104164600	7 pin Socket
215	102164600	7 pin Plug
216	088307113	Encoder Cable: 4 conductor, Shielded
217	024813203	M6 x 30 SHCS
218	079112608	Pin
219	104117200	Rubber Sheet: 470 mm x 300 mm
220	001820601	M8 Flat Washer
221	013811001	M5 x 16 FHMS
222	006822700	M5 Hex Nut
223	006820600	M5 Lock washer
224	009813201	M8 x 40 SHCS
225	071814800	M6 x 20 SSS
226	009811101	M5 x 10 CHMS
227	120810100	Dowel Pin: 8m6 x 50
228	010810200	Spring Roll Pin: 4 mm dia. x 26 mm
229	004820100	M10 Flat Washer
230	016814100	M10 x 30 HHCS
231	010810201	Spring Roll Pin: 6 mm dia. x 45 mm
232	008811103	M6 x 12 CHMS
233	071820400	M6 Flat Washer
234	011811400	M5 x 12 HHCS
235	024811201	M6 x 12 Pan Head Mach Screw
236	006814801	M6 x 10 SSS
237	050811100	M4 x 18 CHMS
238	004822700	M4 Hex Nut
239	011813202	M8 x 20 SHCS
240	011813200	M6 x 12 SHCS

Ref. No.	Part Number	Description
241	011813204	M10 x 40 SHCS
242	013813201	M8 x 30 SHCS
243	011822700	M8 Hex Nut
244	079813200	M10 x 60 SHCS
245	079216302	3 station Valve Manifold
246	006814800	M5 x 8 SSS
247	079813201	M10 x 30 SHCS
248	003822700	M10 Hex Nut
249	123813500	M8 x 20 FHSCS

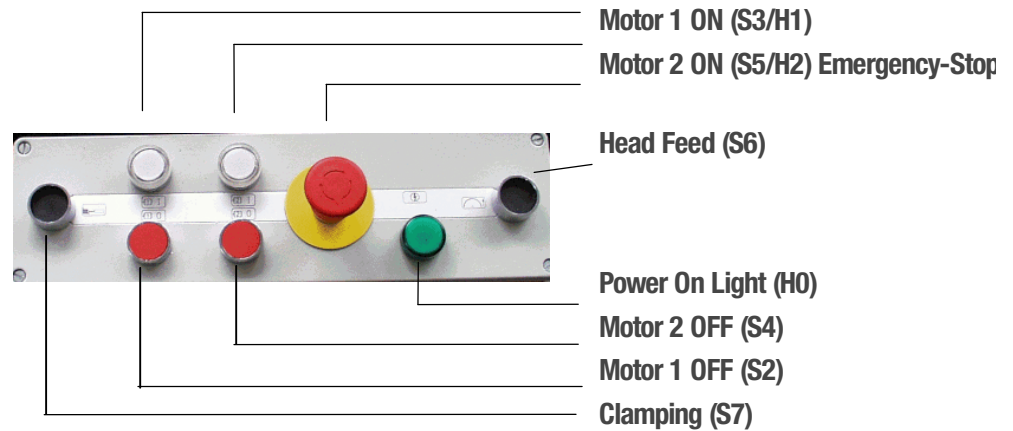
Items 250-290 are used only on Saws with the E 255 Controller Option

250	073112603	Switch Bolt: 20 mm dia. x 40 mm
251	079111715	Limit Switch Plate: 40 mm x 5 mm x 70 mm
252	024813205	M6 x 55 SHCS
253	103160300	Limit Switch: Kissling #54.808.101R53
254	156931433	Belleville Washer: 20 mm x 10.2 mm x .5 mm x 1.15 mm
255	079112304	Axle: 26 mm OD x 9 mm ID x 450 mm
256	079116806	Carriage Roller
257	079162100	DC Motor
258	079217000	Clamping Cylinder: 100 mm Bore x 10 mm Stroke
259	079217100	Solenoid Valve: Hoerbiger #K9 314RF-1/8
260	079230103	Motor Holder: 215 mm x 190 mm x 12 mm
261	079230105	Rack Holder
262	079230700	Coupling Sleeve: 52 mm OD x 44.1 mm ID x 20 mm
263	079231201	Forcing Lever: 7 mm dia. x 140 mm
264	079232905	Drive Sprocket: 1/2 x 3/16, 15 teeth
265	079232901	Driven Sprocket: 1/2 x 3/16, 15 teeth
266	071810001	Dowel Pin: 8M6 x 40
267	079233100	Starting Washer: 30 mm OD x 20.1 mm ID x 3 mm
268	079233101	Support Washer: 40 mm OD x 13.1 mm ID x 10 mm

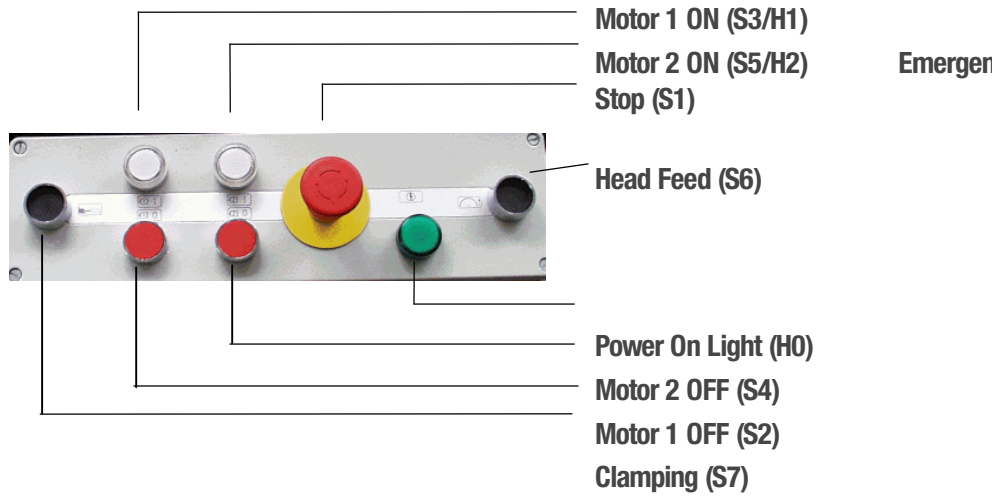
Ref. No.	Part Number	Description
269	079239200	Limit Switch Block: 40 mm x 6 mm x 458 mm
270	104980825	Bushing: 2025 DU
271	079982020	Chain: 1/2 x 3/16, 29 links (w/master link)
272	100251404	Clamping Block: 80 mm x 35 mm x 185 mm (each piece)
273	079250100	Console Holding Arm
274	079233901	Wire Track Holding Arm
275	079234501	Mounting Angle
276	104113818	Holding Angle: PG29 Conduit
277	104166501	Wire Track Mounting Bracket
278	104166900	Wire Track: 2.3 m long (1 m Lengths)
279	104113202	Mounting Angle
280	104118801	Cable Guide
281	079118803	Cable Trough w/Cover
282	079234500	Holding Angle
283	079230000	Lead-Through Sheet: 270 mm x 160 mm x 1.5 mm
284	088207014	PG36 Conduit
285	100255602	Slotted Rail: 12 mm x 8 mm x 80 mm
286	102161204	Conduit Connector: PG36
287	102165901	PG36 Conduit Nut
288	079110039	Sheet Metal Cover
289	079239201	Switch Strip
290	104116528	Conduit Mounting Angle: PG 36 Conduit
291	023813200	M6 x 25 SHCS
292	073811000	M5 x 20 FHMS
293	103813202	M10 x 45 SHCS
294	011814101	M8 x 25 HHCS
295	101827000	Key: A3 x 3 x 10 mm DIN 6885

1.2 Electrical Parts

1.2.1 Operator Panel Parts: E111 Control



Ref. No.	Drawing Reference	Part Number	Description
1	S6	104163414	Black Recessed PB Operator: Telemecanique #ZB2BA26
2		104164200	Contact Block Mounting Base: Telemecanique #ZB2BZ009
3		104165302	N.C. Contact Block (S6.1, S6.2, S6.3): Telemecanique #ZB2BE102
4		104165303	N.O. Contact Block (S6): Telemecanique #ZB2BE101
5	H0	104163406	Green Pilot Light Lens: Telemecanique #ZB2BV03
6		104165307	Lamp Module: Telemecanique #ZB2BV6
7		104166301	24V Light Bulb: Telemecanique #DL1CE024
8	S1	104163400	Red Mushroom Head Switch Operator: Telemecanique #ZB2BS844
9		104164200	Contact Block Mounting Base: Telemecanique #ZB2BZ009
10		104165302	N.C. Contact Block: Telemecanique #ZB2BE102
11		102160807	Overlay

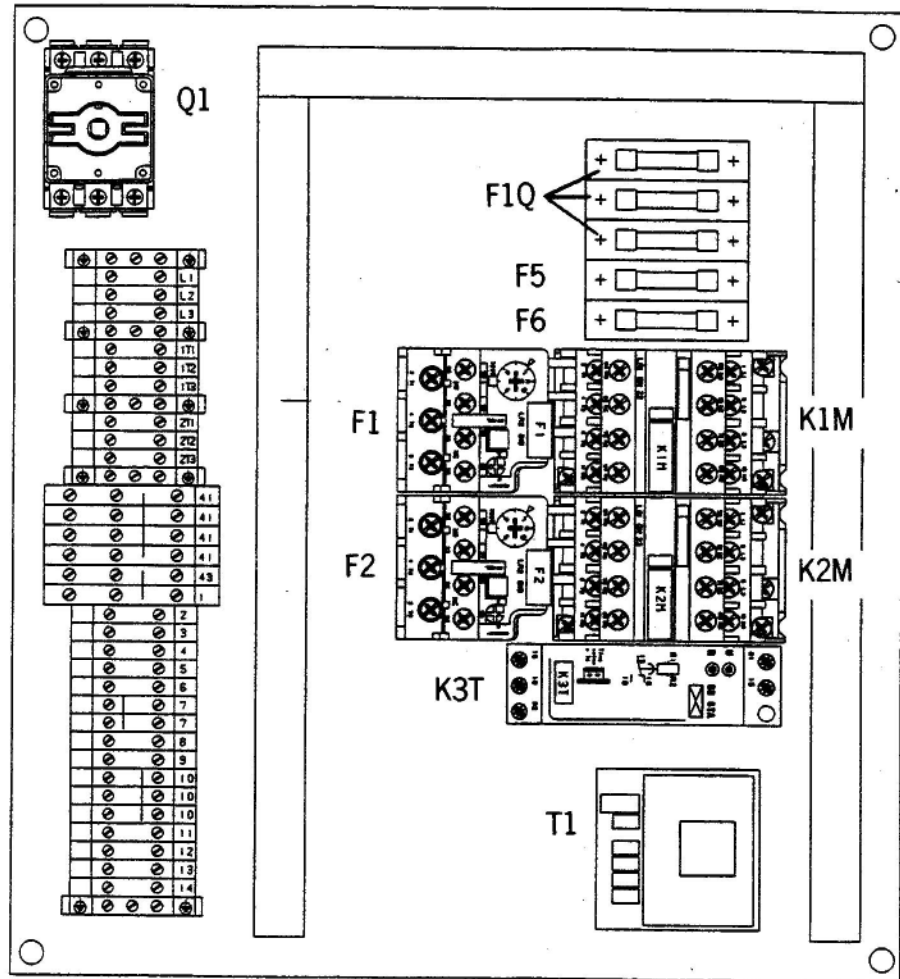


Ref. No.	Drawing Reference	Part Number	Description
12	S3/H1, S5/H2	104163404	Clear Light Push Button: Telemecanique #ZB2BW37
13		104165304	Lamp Module w/ N.O. Contact Block: Telemecanique #ZB2BW061
14		104166301	24V Lamp: Telemecanique #DL1CE024
15	S2, S4	104163402	Flush Red Push Button: Telemecanique #ZB2BA4
16		104164200	Contact Block Mounting Base: Telemecanique #ZB2BZ009
17		104165302	N.C. Contact Block: Telemecanique #ZB2BE102
18	S7	104163414	Black Recessed PB Operator: Telemecanique #ZB2BA26
19		104164200	Contact Block Mounting Base: Telemecanique #ZB2BZ009
20		104165302	N.C. Contact Block (S6.1, S6.2, S6.3): Telemecanique #ZB2BE101
21		104165303	N.O. Contact Block (S6): Telemecanique #ZB2BE102

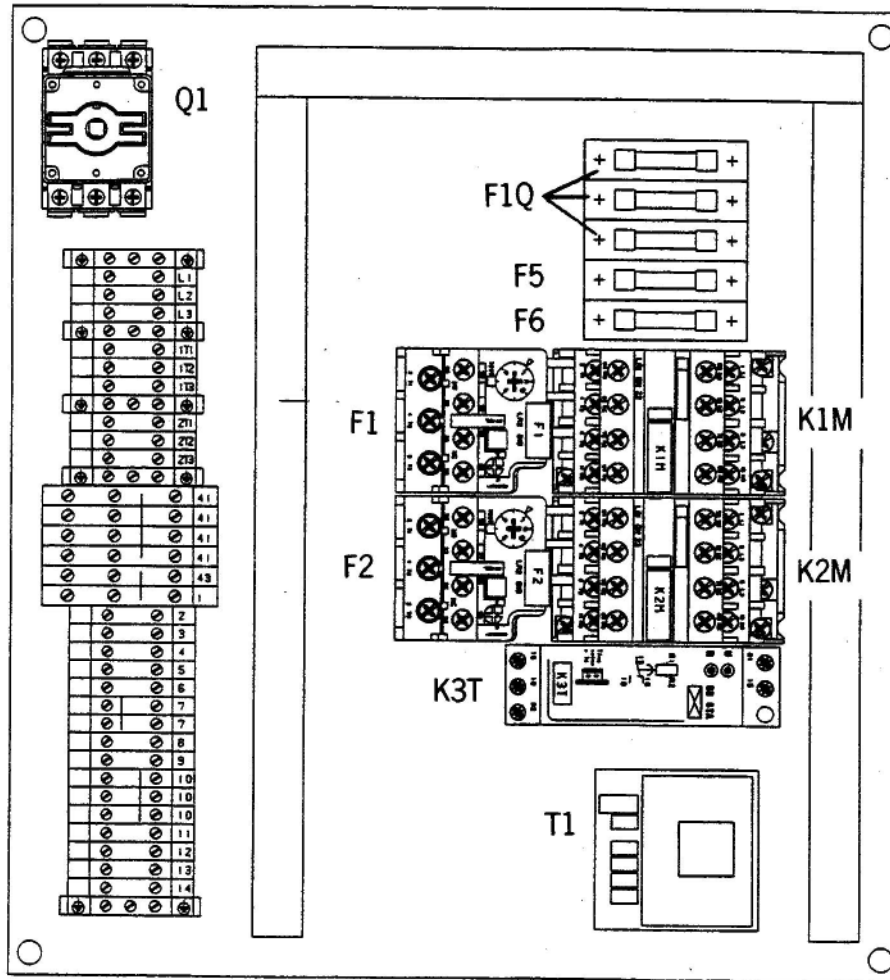
The following switch is only used on machines with the E 255 controller

22		104163411	2-position Key Switch, momentary to right: Telemecanique #ZB2BG6
23		104164200	Contact Block Mounting Base: Telemecanique #ZB2BZ009
24		104165303	N.O. Contact Block: Telemecanique #ZB2BE101

1.2.2 Electrical Enclosure Parts: E 111 Control



Ref. No.	Drawing Reference	Part Number	Description
1	F1Q	070166408	Class CC Time Delay Fuse: Bussman LP-CC-15 or equal (480 & 600V machines)
2		070166409	Class CC Time Delay Fuse: Bussman LP-CC-30 or equal (240V machines)
3	F1, F2	245160300	Motor Protection Switch: Telemecanique #GV2 M20 (240V machines)
4		072160314	Motor Protection Switch: Telemecanique #GV2 M14 (480V machines)
5		192160300	Motor Protection Switch: Telemecanique #GV2 M10 (600V machines)



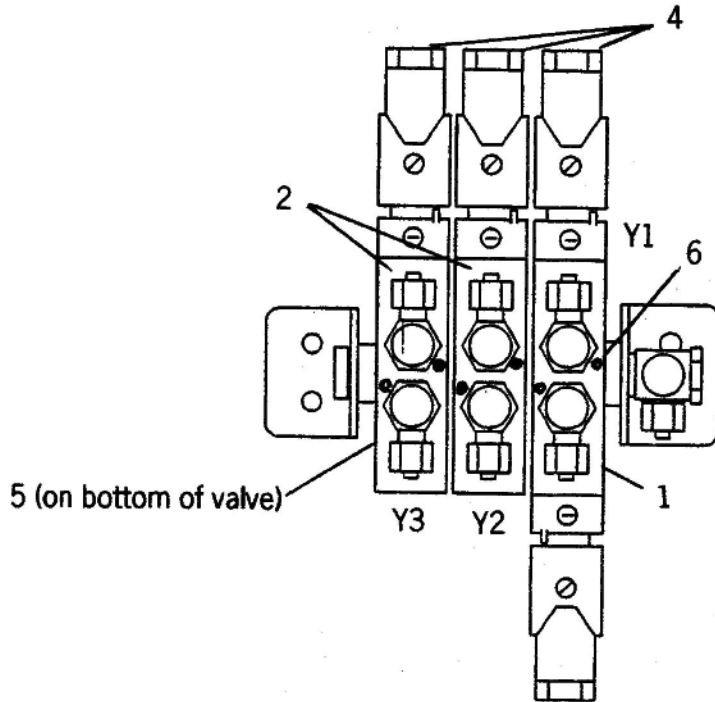
Ref. No.	Drawing Reference	Part Number	Description
6	K1M, K2M	079164902	Motor Contactor: Telemecanique #LP1D1810BD
7		104164913	Contact Adder Block (K1M, K2M): Telemecanique #LA1DN22
8		104167506	Surge Suppression Module (K1M, K2M): Telemecanique #LA4DC1U
9	K3T	104164916	.1-10 sec. Timer (K3T): Telemecanique #RE5-TA110BTQ
10	Q1	142160302	Main Switch: Telemecanique #V2
11		142163400	Main Switch Operator: Telemecanique #KCF-1PZ
12	T1	223165004	105VA Transformer: 240-480VAC/24VDC
13		223165005	105VA Transformer: 600VAC/24VDC
14	F5, F6	720166403	Bussman FNQ-R-2 Fuse

1.2.3 Miscellaneous E 255 Parts

Ref. No.	Part Number	Description
1	079163808	Front Panel
2	100160104	Cabinet Housing
3	100258000	End Plate
4	100167800	Filter Element (2 pieces, 120 x 120, white)
5	100258001	Filter Grill (4 pieces, both sides of filter)
6	079167515	E 255 Controller
7	105167701	Power Supply Card
8	ELE100096	Power Supply Fuse: 400 mA, 5 mm x 20 mm: Bussman #GDC400 or equal
9	142163800	Power Supply Mounting Plate
10	100102700	Terminal Strip Assembly
11	072160800	Warning Decal (3 Language)
12	104167560	TV3.2 Analog Control Module (located in main Electrical Cabinet)
13	079167513	SNA2/AUME2 Absolute Control Ass'y (in main Electrical Cabinet)
14	104166402	SNA2 Board Fuse: 6.3A, 5 mm x 20 mm: Bussman #GDC 6.3 or equal
15	104166405	AUME2 Board Fuse: 1A, 5 mm x 20 mm: Bussman #GDC 1 or equal
16	104167561	2000 ppr Rotary Encoder

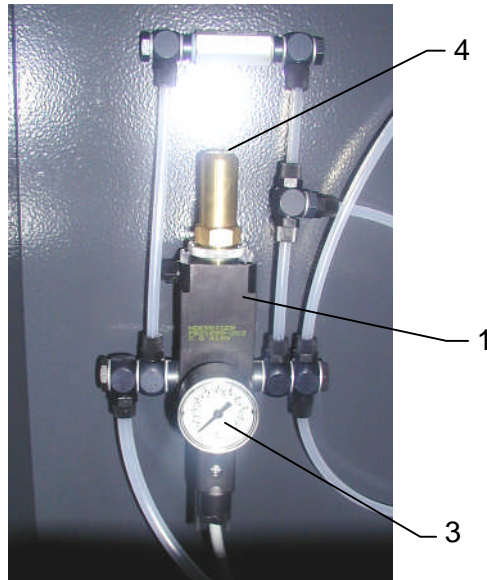
1.3 Pneumatic Parts

1.3.1 Solenoid Valve Manifold Parts (Assembly p/n 079216302)



Ref. No.	Drawing Reference	Part Number	Description
1	Y1	104166107	Double Solenoid Valve: Hoerbiger #PA103130233 (Vise Clamp/Open)
2	Y2, Y3	104166108	Single Solenoid Valve: Hoerbiger #PA103120233 (Head Feed)
3	Y1-Y3	104165015	Solenoid Coil: Hoerbiger #KZ3673
4		104160609	Solenoid Valve Plug w/LED and Cable
5		720213802	G 1/8 Exhaust Muffler: Hoerbiger #D1-06K
6		105813201	M3 x 40 SHCS (connects solenoid valve to the manifold)
7		079110036	Pneumatic Mounting Panel: 330 mm x 160 mm x 2 mm (DG 79/30 series)

1.3.2 Pneumatic Panel Parts

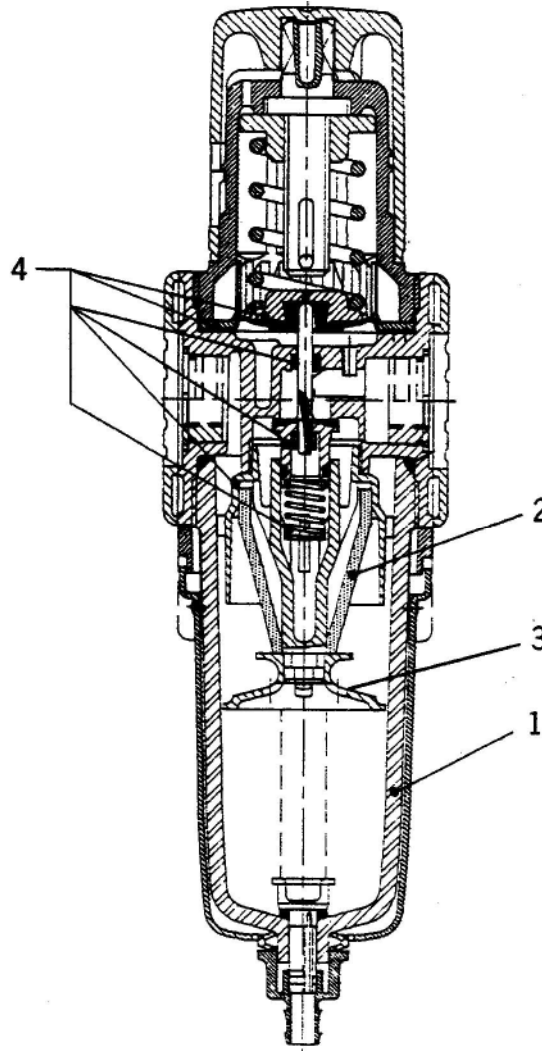


Ref. No.	Drawing Reference	Part Number	Description
1	Y4	104166111	Solenoid Valve: Hoerbiger #PB21699-203 (High/Low Clamp Pressure)
2		142165001	Replacement Valve Solenoid: Hoerbiger #KZ3519 (Not Shown)
3		070216000	40 mm dia. Pressure Gauge: Hoerbiger #KZ8813
4		104124601	G 1/8 Check Valve: Hoerbiger #PA 10024
5		070213600	G 1/4 N.O. Pressure Switch: Hoerbiger #KZ3796 (Optional: Not Shown Above)

1.3.3 Other Pneumatic Parts

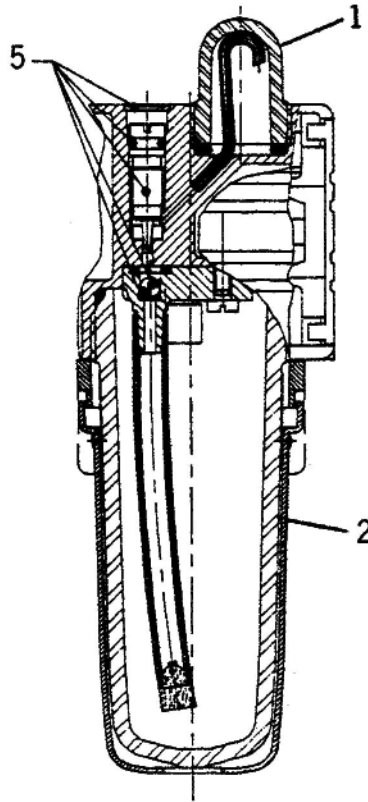
Ref. No.	Part Number	Description
1	070216305	Air Filter-Regulator: Hoerbiger #SK-1/4-HMW-S0
2	070218900	Spray Mist Lubricator: Hoerbiger #MLS-08-W-S0
3	073117301	Vertical Clamp Cylinder
4	073117309	Head Feed Cylinder: Hoerbiger #PD34901-0220
5	073970904	Repair Seal Kit for 073117309
6	088207006	6/4 Polyethylene Hose (6mm O.D./4mm I.D)
7	088207007	8/6 Polyethylene Hose (8mm O.D./6mm I.D)
8	102117302	Horizontal Clamp Cylinder
9	073213701	Flow Control Valve ('A') (Clamping Cylinders)
10		

1.3.4 Filter Regulator Repair Parts (Assembly p/n 070216305)

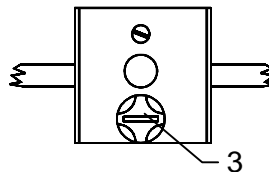


Ref. No.	Part Number	Description
1	070270512	Bowl: Hoerbiger #PL16790
2	070216305F	Filter Element: Hoerbiger #PL16796
3	070216305BA	Baffle: Hoerbiger #PL16797
4	070216305RK	Diaphragm Repair Kit: Hoerbiger #PL16986
5	070218900MB	Mounting Bracket: Hoerbiger #PL16965 (not shown)
6	070216000	40 mm Pressure Gauge: Hoerbiger #KZ8891

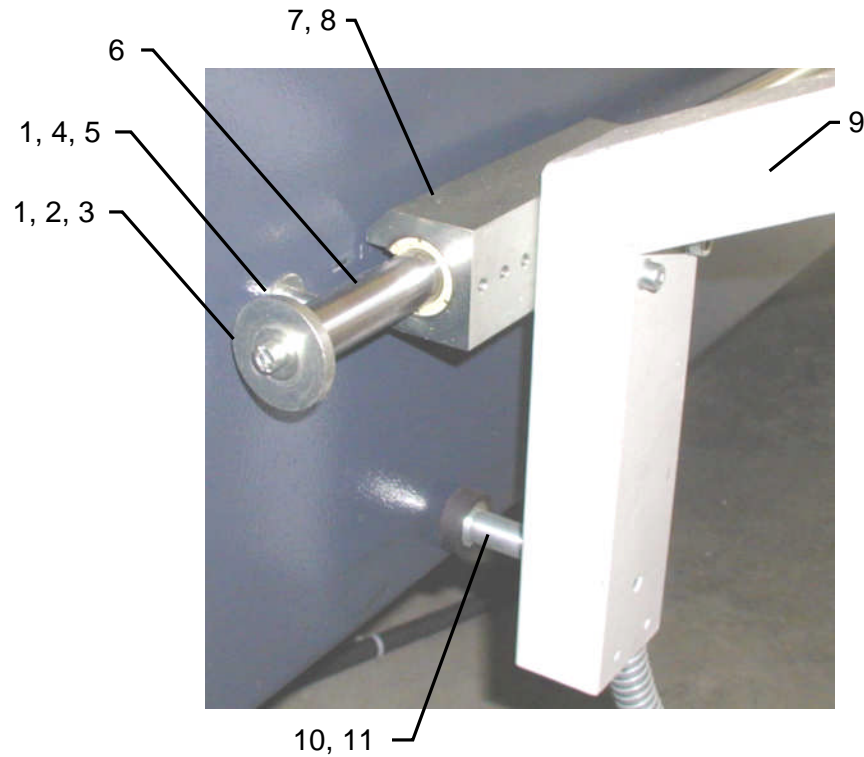
1.3.5 Lubricator Repair Parts (Assembly p/n 070218900)



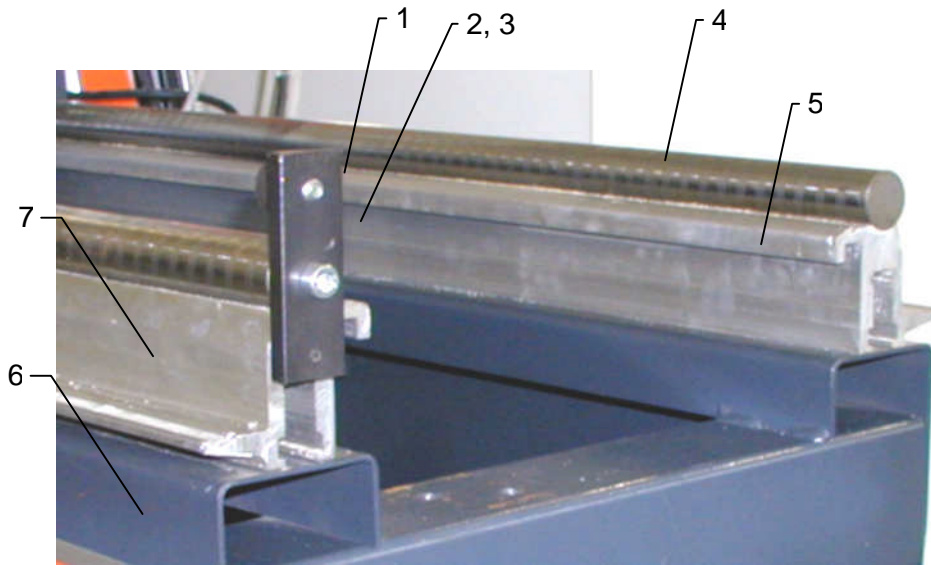
Ref. No.	Part Number	Description
1	070212400	Sight Glass: Hoerbiger #PL16043
2	070270513	Bowl: Hoerbiger #PL16946
3	070218900C	Fill Cap: Hoerbiger #PL08964 + O-Ring 88-35H643
4	070218900MB	Mounting Bracket: Hoerbiger #PL16965 (not shown)
5	070218900RK	Wearing Parts Repair Kit: Hoerbiger #PL16987



1.4 Parts for Machines with Solid Base (Model DG 79/60)



Ref. No.	Part Number	Description
1	006820000	M6 Flat Washer
2	024813202	M6-1.0 x 20 Socket Head Cap Screw
3	076113220	Stop Washer: 40 mm dia. x 5 mm
4	024813203	M6-1.0 x 30 Socket Head Cap Screw
5		8 mm OD x 6.5 mm ID x 14 mm Spacer
6	163110508	Guide Bar: 20 mm dia. x 1200 mm
7	163111800	Guide Block: 45 mm x 45 mm x 100 mm
8	222980501	Linear Ball Bearing: KBO 2045
9	163110100	Holder Arm: 452 mm long
10	078117200	Rubber Pad: 30 mm dia. x 10 mm, M8-1.25 Stud
11	163112602	Distance Bolt: 15 mm dia. x 52 mm



Ref. No.	Part Number	Description
1	030127201	Rubber Bumper: 22 mm dia. x 15 mm, M8-1.25 Stud
2	104116349	Locating Edge: 30 mm x 10 mm x 90 mm
3	011813202	M8-1.25 x 20 Socket Head Cap Screw
4	163110509	Support Rail: 30 mm dia. x 3750 mm
5	163118802	Rear Rail Support Extrusion
6	163112003	Machine Base
7	163118801	Front Rail Support Extrusion

1.5 Sawblades (Triple Chip Teeth)

Ref. No.	Part Number	Description
1	073311302	Saw blade: 380mm O.D. x 32mm bore, 110 Tooth
2	073311303	Saw blade: 380mm O.D. x 32mm bore, 56 Tooth

1.6 Tool Kit



Ref. No.	Part Number	Description
1	088907096	Cutting Fluid (1/2 liter) Note: Replace with 999-C6000 (1 gal.) or 999-C6000-5 (5 gal.)
2	018351300	13 mm/17 mm Open End Combination Wrench
3	072351600	Adjustable Pin Spanner Wrench
4	011351401	8mm Hex Key
5	079277500	Grease Gun (Refillable)

1.7 Available Options

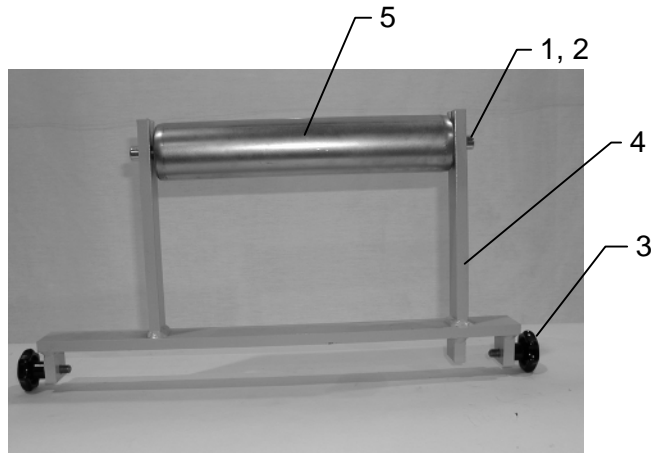
073206304

Vertical Pneumatic Clamp for the Left Side

073206305

Horizontal Pneumatic Clamp Assembly

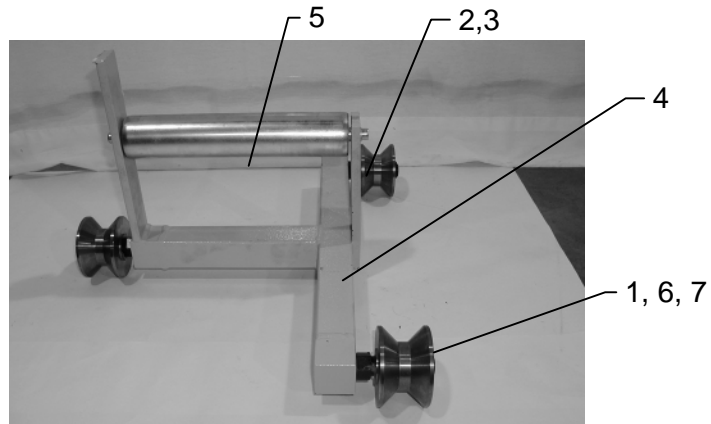
1.7.1 DG 79/60 Fixed Material Support Roller



079109702 Fixed Material Support Assembly (complete)

Ref. No.	Part Number	Description
1	006820001	M8 Flat Washer
2	011814101	M8 x 25 HHCS
3	022824200	Star Knob: M8 x 30 Stud
4	079116538	Roller Support Frame
5	079116803	Support Roller: 50 mm dia. x 260 mm long

1.7.2 Mobile Workpiece Support: DG 79/30, DG 79/31, DG 79/32



079209300 Mobile Workpiece Support Assembly (complete)

Ref. No.	Part Number	Description
1	001821100	Retaining Ring
2	006820001	M8 Flat Washer
3	011814101	M8 x 25 HHCS
4	079116513	Roller Support Frame
5	079116803	Support Roller: 50 mm dia. x 260 mm long
6	079116804	V-Roller: 79.5 mm dia. x 54 mm wide
7	104112304	Roller Axle: 24 mm hex x 103 mm long

1.8 Notes