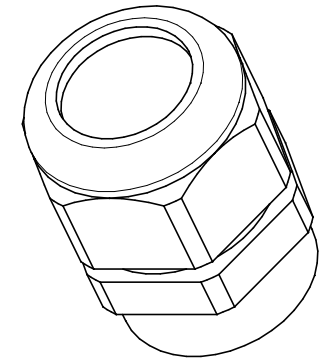
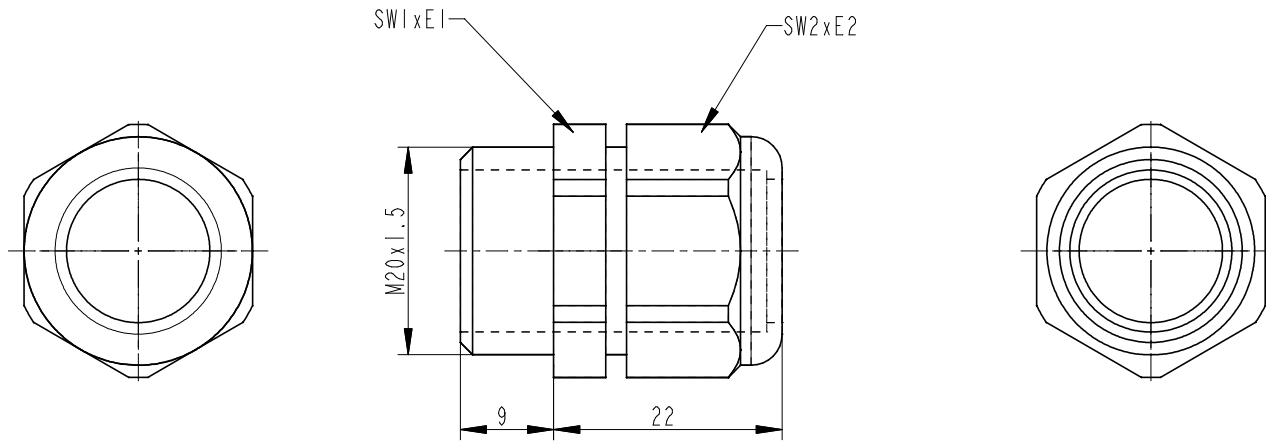


This drawing must not without the consent of Tetra Pak be copied, transmitted or disclosed to any third party.



DATA:

M20x1,5
 CABLE DIAMETER 7,0-10,5 mm
 JAW SPAN: SW1xE1 SW2xE2
 24x26,5 24x26,5

DESIGNATION:

VK 22051y

MANUFACTURER:

PFLITSCH

Release Level	released		ECN No	86235	Pro/PDM Revision	Model	I.1
Marked with PART NUMBER			Unless otherwise stated		Surface Roughness		
			SHARP EDGES BROKEN		Scale		
Method/Size			/		B-2103 10		
Material	DYFLOR			Surface Treatment			
Designer	FRB	Date	001121		Denomination		
Company				GLAND FITTING			
Tetra Pak ComTec AB							
			Drawing No	90458-0405	Document Type	Version	Page
					DRA	AA	1(1)

