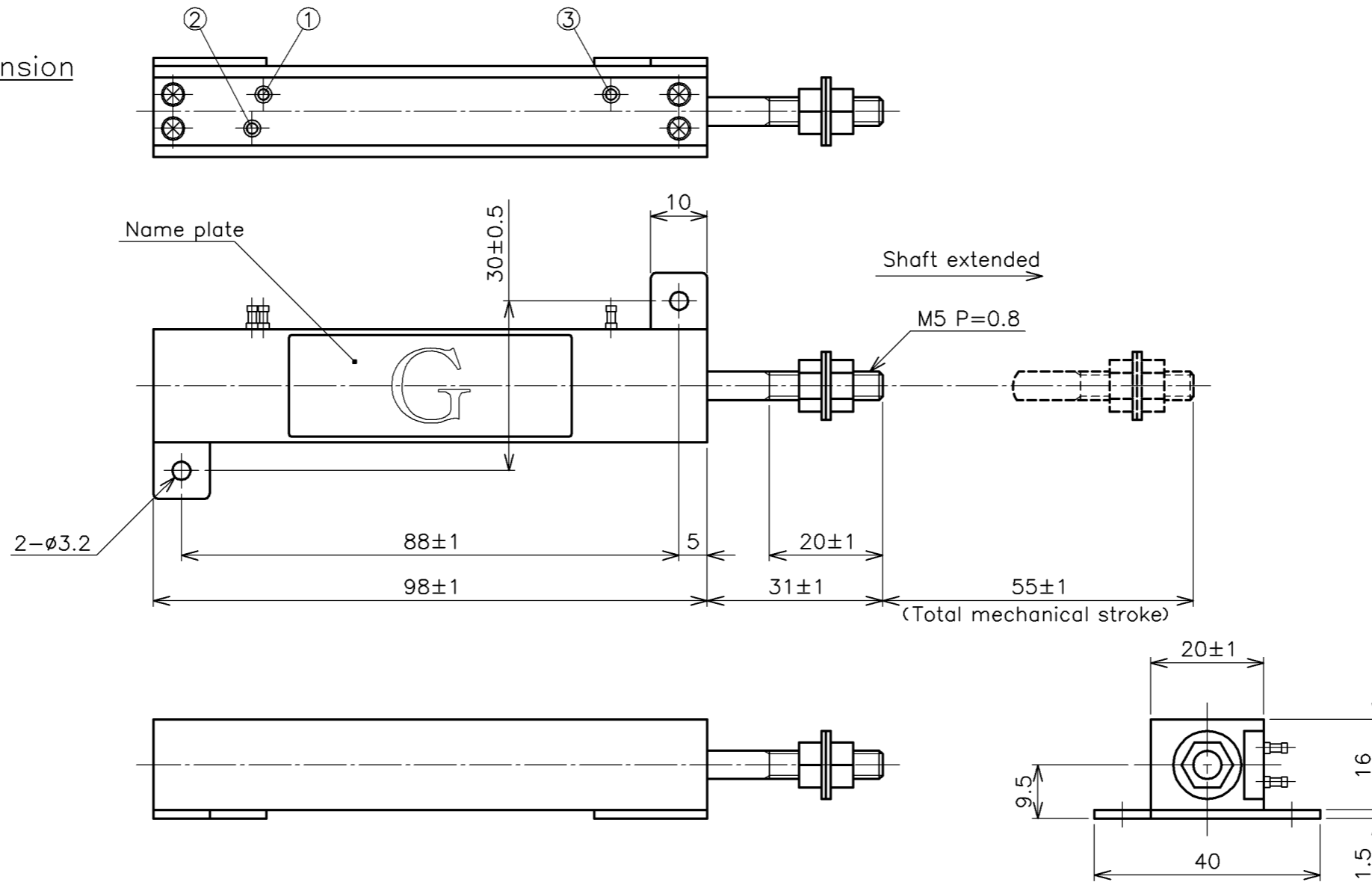


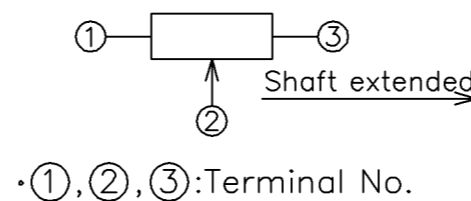
Fig.1
Dimension



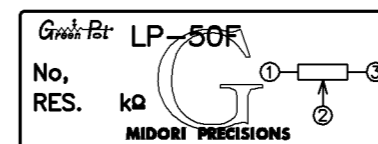
Specifications

Effective electrical stroke	:	50mm±0.5mm
Total resistance	:	1 · 2 · 5 · 10k Ω ±20%
Independent linearity	:	±0.5% (Available:±0.2%)
Rated dissipation	:	1.5W / 70℃
Output smoothness	:	0.1% Max.
Insulation resistance	:	100MΩ Min. DC500V
Dielectric strength	:	AC500V 1minute
Temperature coefficient of resistance	:	±400ppm / K
Total mechanical stroke	:	55mm±1mm
Friction	:	0.5N Max.
Mass	:	Approx. 75g
Dimension	:	See Fig.1
Schematics	:	See Fig.2

Fig.2
Schematics



Name plate



REV.	DATE	DESCRIPTION	APPROVED	CHECKED	DRAWN

SPECIFICATION DRAWING			CUSTOMER/SPEC. NO.	
MODEL: LP-50F				
APPROVED	T. Yamazaki	TOLERANCE	DATE	07.26.2017
CHECKED	T. Yamazaki	≤ 10 ±0.25	SCALE	1:1
DRAWN	M. Takeuchi	10 < ≤ 100 ±0.5	DRAWING PRACTICE	
		100 < ±1.0		
		ANGLE ±1.5°		
MIDORI PRECISIONS CO., LTD.			DRAWING NO.	REV.
			A-MPF-B02	0