

Mink MM 1104 - 1142 BV

Mink MM 1324 - 1402 AV



MM 1142 BV

Description

The Busch MM series positive displacement vacuum pumps feature a compact rotary claw design that is air-cooled, dry-running and non-contacting.

These features, along with quality construction, result in a pump that offers extremely high reliability and a long service life.

Features

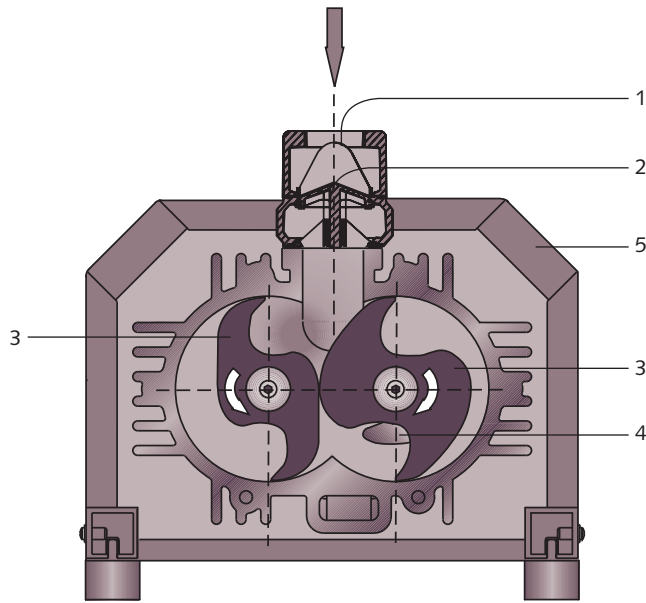
- Non-contacting design, eliminates internal wear and parts to replace
- Air-cooled, requiring no water
- Dry-running, no sealing or lubricating oil is needed in the pumping chamber
- Minimal maintenance
- Economical, reduced power requirements
- High volumetric efficiency

Standard Equipment

- Acoustic enclosure
- Base frame
- Vibration isolators
- TEFC motor
- Oil sight glass
- Inlet screen
- Anti-suck-back valve on inlet
- Vacuum relief valve
(models MM 1202 AV, MM 1252 AV, MM 1322 AV, MM 1402 AV only)
- Discharge silencer
- Threaded NPT inlet/outlet connections

Dry rotary claw vacuum pumps

Operating Principle



- 1 Gas inlet
- 2 Non-return valve
- 3 Claws
- 4 Gas outlet
- 5 Acoustic enclosure

Operating Principle

Inside the pump housing, two claw-shaped rotors take in air as they rotate in opposite directions. The air is compressed by the rotors, then discharged through a silencer to atmosphere.

The non-return valve incorporated into the inlet flange prevents air from back flowing into the vacuum chamber when the pump is turned off.

Mink MM rotary claw vacuum pumps are directly driven by a flanged motor, and the two rotors are synchronized by gears.

A wide range of accessories allows optimum adaptation to many applications.

Accessories

- Inlet filters
- Liquid separators
- Knock-out pots
- High-volume bag filters
- Control valves
- Gauges
- Switches and transmitters
- Motor starters
- Variable speed drives
- Vacuum receivers

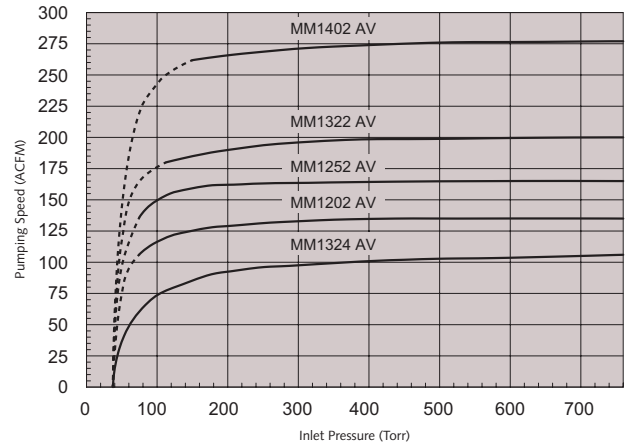
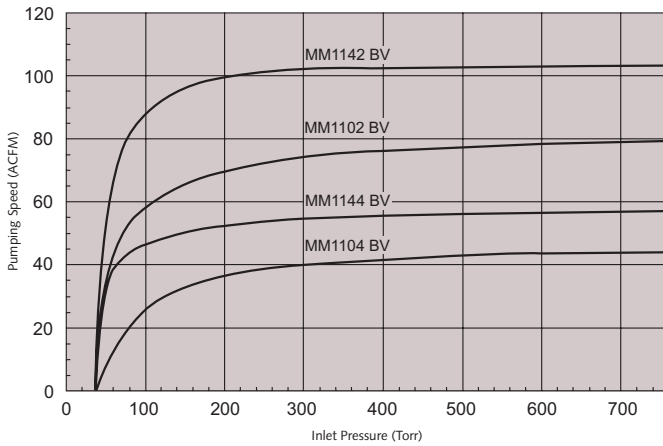
Applications

- Food packaging
- Food processing
- Medical
- Laboratory
- Plastics
- Automation
- Packaging
- Electronics
- Pneumatic conveying
- Printing
- Environmental
- Woodworking
- Renewables
- Paper
- Central systems



Technical Data

Pumping Speed vs. Inlet Pressure



Operation duty in dashed area not allowed. Vacuum relief valve to maintain maximum continuous operating pressure included as a standard feature.

Technical Data		1104 BV	1144 BV	1102 BV	1142 BV	1324 AV	1202 AV	1252 AV	1322 AV	1402 AV
Nominal pumping speed	ACFM	44	57	79	103	106	135	165	200	277
Ultimate pressure continuous duty	Torr	37.5	37.5	37.5	37.5	37.5	75	75	112.5	150
	"HgV	28.4	28.4	28.4	28.4	28.4	27	27	25.5	24
Motor size	kW	1.7	2.4	3.4	4.8	4.2	5.2	6.8	7.6	9.5
	HP	2.3	3.2	4.6	6.4	5.6	7.0	9.1	10.2	12.7
Nominal motor speed	RPM	1800	1800	3600	3600	1800	3600	3600	3600	3600
Sound level rating*	dB(A)	70	70	79	79	74	79	79	82	83
Approximate weight	Lbs.	408	419	408	419	595	518	529	606	717

All performance data is based on ambient conditions of 14.7 PSIA and 70° F, and has a tolerance of +/- 10%.

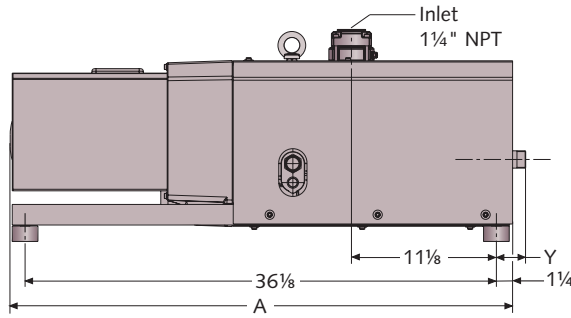
*DIN EN ISO 2151, at 300 Torr inlet pressure

Dry rotary claw vacuum pumps

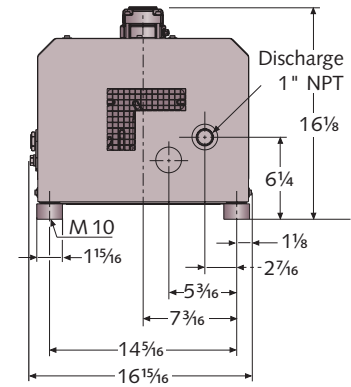


Dimensions

MM 1104-1142 BV

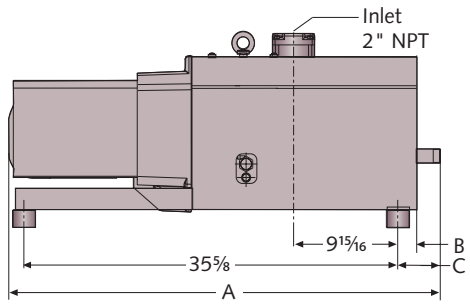


Dimensions	A	Y
MM 1104 BV	39	17 ¹ / ₁₆
MM 1144 BV	39	2

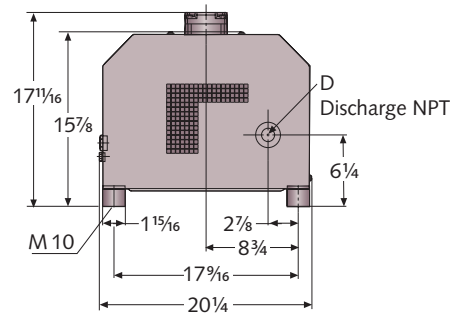


Dimensions	A	Y
MM 1102 BV	40 ¹¹ / ₁₆	2 ¹¹ / ₁₆
MM 1142 BV	39 ¹ / ₂	3 ⁵ / ₁₆

MM 1324-1322 AV

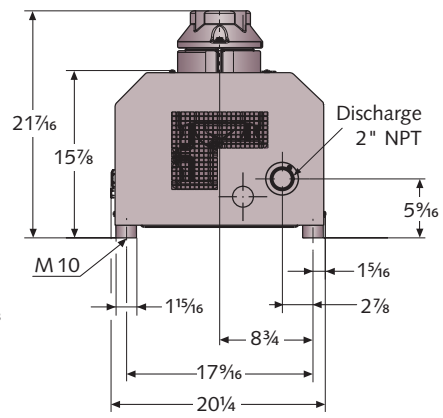
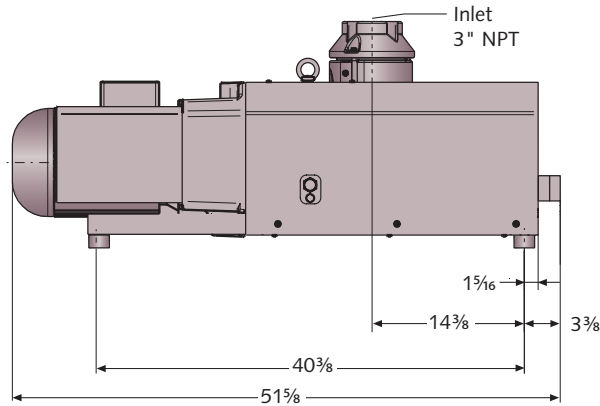


Dimensions	A	B	C	D
MM 1324 AV	43 ⁵ / ₁₆	1 ¹³ / ₁₆	3 ¹ / ₂	1
MM 1202 AV	41 ¹ / ₈	1 ¹³ / ₁₆	3 ¹ / ₈	1



Dimensions	A	B	C	D
MM 1252 AV	41 ⁵ / ₁₆	1 ¹³ / ₁₆	3 ¹ / ₂	1
MM 1322 AV	44 ³ / ₁₆	3 ¹ / ₈	4 ¹³ / ₁₆	1 ¹ / ₄

MM 1402 AV



All dimensions in inches unless otherwise noted.



Busch - all over the world in industry
Busch LLC 516 Viking Drive Virginia Beach, VA 23452
Phone (757) 463-7800 Fax (757) 463-7407

ISO 9001 Registered Company
www.buschusa.com
1-800-USA-PUMP

Amsterdam Auckland Bangkok Barcelona Basel Birmingham Brno Brussels Budapest Buenos Aires Copenhagen Dubai Dublin Gothenborg Helsinki Istanbul Johannesburg Kuala Lumpur Maulburg Melbourne Milan Monterrey Montreal Moscow New York Oslo Paris Porto Pune Santiago de Chile São Paulo Seoul Shanghai Singapore Taipei Tel Aviv Tokyo Vienna Warsaw