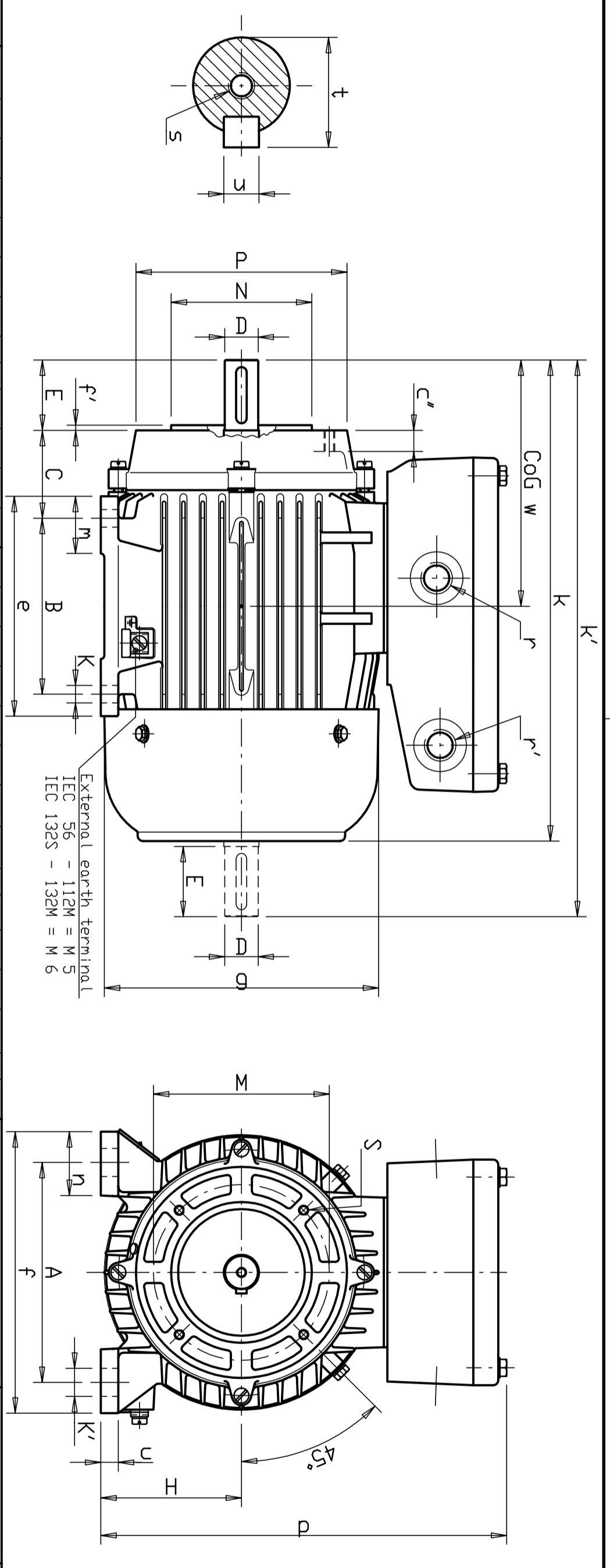
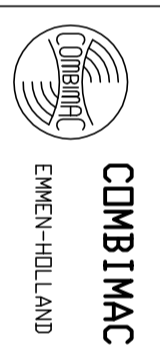


This document is confidential. The copyright is vested in Combimac B.V. Emmen, The Netherlands. All rights reserved. Neither the whole nor any part of this document may be disclosed to any third party or reproduced, stored in any retrieval system or transmitted in any form or by any means (electronic, mechanical, reprographic, recording or otherwise) without the prior written consent of the copyright owner.

Fits
D = K6
N = J6



TYPE	IEC hp	A	B	C	D	E	H	K	K'	M	N	P	S	C	C'	e	f	f'	g	k	k'	m	n	p	s	t	u	w	Connections r therm. r'	Ball bearing D, E, N, D, E,	Approx. mass kg	
532 B 26-47	63	100	80	40	11	23	63	7	12	75	60	90	M5	10	8	105	125	2.5	123	211	241	28	30	193	M4	12.5	4	103	.	.	SKF 6202	5.0
532 E 26-47	71	112	90	45	14	30	71	7	12	85	70	105	M6	11	12	108	140	2.5	138	242	280	27	34	211	M5	16.0	5	120	.	.	SKF 6202	7.5
532 H 26-47	80	125	100	50	19	40	80	9	17	100	80	120	M6	11	12	125	160	3	156	274	322	33	37	230	M6	21.5	6	140	.	.	SKF 6204	11.5
531 K 26-47	90S	140	100	56	24	50	90	9	17	115	95	140	M8	13	15	130	182	3	176	301	360	35	44	249	M8	27.0	8	156	.	.	SKF 6205	15
533 K 26-47	90L	140	125	56	24	50	90	9	17	115	95	140	M8	13	15	155	182	3	176	326	385	35	44	249	M8	27.0	8	168	.	.	SKF 6205	17
533 N 26-47	100L	160	140	63	28	60	100	11	21	130	110	160	M8	14	17	175	200	3.5	194	366	435	38	44	270	M8	31.0	8	193	.	.	SKF 6206	24
532 P 26-47	112M	190	140	70	28	60	112	11	21	130	110	160	M8	14	16.5	175	235	3.5	218	384	454	38	53	294	M8	31.0	8	200	.	.	SKF 6306	33
531 R 26-47	132S	216	140	89	38	80	132	11	21	165	130	200	M10	20	23	180	260	4	258	447	539	45	58	337	M12	41.0	10	239	.	.	SKF 6308	52
532 R 26-47	132M	216	178	89	38	80	132	11	21	165	130	200	M10	20	23	218	260	4	258	485	577	45	58	337	M12	41.0	10	258	.	.	SKF 6308	60



COMBIMAC low magnetic AC-motors for naval use
B3R0/B14A, IP44-56, 30g all dir., with therm.

SCALE
DRAWN 01-11-91 HH
CHECKED

DIMS IN mm
9216 A3