

Relative and differential pressure transmitter type 692

Pressure range
0 ... 0.1 – 25 bar

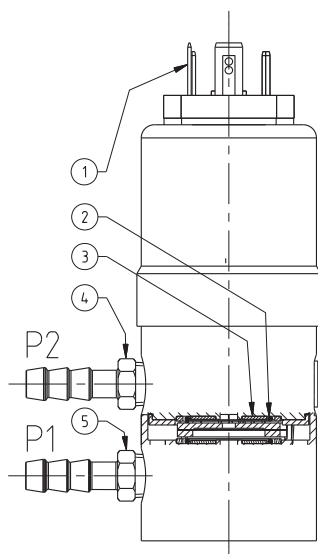


Type 692 pressure transmitters have a unique, well proven ceramic technology. There are variety of pressure and electrical connections available, together with several standardised output signals. The wide variety of options makes these transmitters ideal for applications across a broad spectrum of industries.

- Very low temperature sensitivity
- High resistance to extreme temperatures
- No mechanical creepage
- Modular system and choice of materials to suit individual applications

Technical overview

Pressure range				
Relative and differential		0 ... 0.1 – 25 bar		
Operating conditions				
Medium		Liquids and neutral gases		
Temperature		Medium / ambient	-15 ... +85 °C	
		Storage	-40 ... +85 °C	
Tolerable overload on one side		See order code selection table		
System pressure		≤ 6 bar	PVDF	12 bar
		≥ 10 bar	Stainless steel 1.4305 / AISI 303	25 bar
Rupture pressure		50 bar		
		1.5x system pressure		
Materials				
Case		Stainless steel 1.4305 / AISI 303		
		Pressure connection	Stainless steel 1.4305 / AISI 303, PVDF, CuZn nickel plated	
Materials in contact with the medium		Sensor	ceramic Al ₂ O ₃ (96%)	
		Sealing material	FPM, EPDM, NBR, MVQ	
Electrical overview				
2 wire	Output 4 ... 20 mA	Power supply 11 ... 33 VDC	Load < $\frac{\text{supply voltage} - 11 \text{ V}}{0.02 \text{ A}}$ [Ohm]	Current consumption (at nominal pressure) < 20 mA
	0 ... 5 V	11 ... 33 VDC / 24 VAC ±15%	>10 kOhm	< 5 mA
3 wire	0 ... 10 V	18 ... 33 VDC / 24 VAC ±15%	>10 kOhm	< 5 mA
	ratiom. 10 ... 90%	5 VDC ±5%	>10 kOhm	< 5 mA
Polarity reversal protection		Short circuit proof and protected against polarity reversal. Each connection is protected against crossover up to max. supply voltage.		
Dynamic response				
Response time		< 5 ms		
Load cycle		< 50 Hz		
Protection standard				
IP 65				
Electrical connection				
Connector DIN EN 175301-803-A				
Connector DIN EN 60130-9				
Cable 1.5 m		PG7		
Pressure connection				
Pressure tube tip		Ø 4 mm		
		Ø 6 mm		
Pipe fitting		Ø 6 mm		
		Ø 8 mm		
Outside thread		1/16"-20 UNF		
		G 1/8"		
Inside thread		1/4"-27 NPT		
		G 1/8"		
Mounting instruction				
Installation arrangement		Unrestricted		
Mounting		Mounting bracket		
Tests / Admissions				
Electromagnetic compatibility		CE conformity acc. EN 61326-2-3		
Weight				
~ 430 g				
Packaging				
Single packaging in cardboard		accessories included		



Legend to cross-section drawing

- 1 Electrical connection
- 2 Seals
- 3 Ceramic element
- 4 P2 Pressure connection (lower pressure)
- 5 P1 Pressure connection (higher pressure)

Accuracy

Parameter	Unit	Versions with overload on one side ≤ 2x nominal pressure	Versions with overload on one side ≤ 3x nominal pressure	Versions with overload on one side ≤ 7.5x nominal pressure
Tolerance zero point	max. % fs	± 0.4	± 0.75	± 1.25
Tolerance full scale	max. % fs	± 0.4	± 0.75	± 1.25
Resolution	% fs	0.1	0.15	0.25
Total of linearity, hysteresis and repeatability	max. % fs	± 0.5	± 0.75	± 1.25
Long term stability acc. to DIN EN 60770	% fs	± 0.5	± 0.5	± 0.5
TC zero point ¹⁾	max. % fs/10K	See order code selection table	See order code selection table	See order code selection table
TC sensitivity ¹⁾	max. % fs/10K	± 0.15	± 0.23	± 0.38

Test conditions: 25 °C, 45% RH, Power supply 24 VDC
TC z.p. / TC s. -15 ... +80 °C

Order code selection table						1	2	3	4	5	6	7	8	9	10	
						692.	X	X	X	X	X	X	X	X	X	
Pressure range ²⁾	Tolerable overload on one side		TC z.p. (fs/10K)													
	P1	P2														
	0 ... 0.1 bar	max. 0.6 bar (6 x Nominal pressure)	0.6 bar	± 1.2 %	9	0	0									
	0 ... 0.2 bar	max. 1.2 bar (6 x Nominal pressure)	1.2 bar	± 1.2 %	9	0	2									
	0 ... 0.2 bar	max. 0.6 bar (3 x Nominal pressure)	0.6 bar	± 0.6 %	9	4	0									
	0 ... 0.25 bar	max. 1.2 bar (4.8 x Nominal pressure)	1.2 bar	± 1.0 %	9	0	3									
	0 ... 0.25 bar	max. 0.6 bar (2.4 x Nominal pressure)	0.6 bar	± 0.5 %	9	4	1									
	0 ... 0.3 bar	max. 0.6 bar (2 x Nominal pressure)	0.6 bar	± 0.4 %	9	0	1									
	0 ... 0.4 bar	max. 1.2 bar (3 x Nominal pressure)	1.2 bar	± 0.6 %	9	0	4									
	0 ... 0.4 bar	max. 2 bar (5 x Nominal pressure)	2 bar	± 1.0 %	9	0	5									
	0 ... 0.5 bar	max. 1.2 bar (2.4 x Nominal pressure)	1.2 bar	± 0.5 %	9	0	6									
	0 ... 0.5 bar	max. 3 bar (6 x Nominal pressure)	3 bar	± 0.8 %	9	0	7									
	0 ... 0.6 bar	max. 1.2 bar (2 x Nominal pressure)	1.2 bar	± 0.4 %	9	0	8									
	0 ... 0.6 bar	max. 3 bar (5 x Nominal pressure)	3 bar	± 0.7 %	9	0	9									
	0 ... 1 bar	max. 2 bar (2 x Nominal pressure)	2 bar	± 0.4 %	9	1	1									
	0 ... 1 bar	max. 5 bar (5 x Nominal pressure)	5 bar	± 1.0 %	9	1	2									
	0 ... 1.6 bar	max. 3.2 bar (2 x Nominal pressure)	3.2 bar	± 0.4 %	9	1	3									
	0 ... 1.6 bar	max. 12 bar (7.5 x Nominal pressure)	12 bar	± 1.0 %	9	1	4									
	0 ... 2.5 bar	max. 5 bar (2 x Nominal pressure)	5 bar	± 0.4 %	9	1	5									
	0 ... 2.5 bar	max. 12 bar (4.8 x Nominal pressure)	12 bar	± 0.6 %	9	1	6									
0 ... 4 bar	max. 8 bar (2 x Nominal pressure)	8 bar	± 0.4 %	9	1	7										
0 ... 4 bar	max. 12 bar (3 x Nominal pressure)	12 bar	± 0.5 %	9	1	8										
0 ... 6 bar	max. 12 bar (2 x Nominal pressure)	12 bar	± 0.4 %	9	1	9										
0 ... 10 bar	max. 20 bar (2 x Nominal pressure)	20 bar	± 0.4 %	9	3	0								1,4		
0 ... 16 bar	max. 32 bar (2 x Nominal pressure)	32 bar	± 0.4 %	9	3	1								1,4		
0 ... 25 bar	max. 50 bar (2 x Nominal pressure)	50 bar	± 0.4 %	9	3	2								1,4		
▲ Fullscale signal at these pressures																
Sealing material	FPM	Fluoro elastomer								0						
	EPDM	Ethylene propylene								1						
	NBR	Butadiene Acrylonitrile								2						
	MVQ	Silicone polymer								3						
Adjustment	Factory									0						
	0 ... 5 V	11 ... 33 VDC / 24 VAC ±15%									0					
Output / power supply	0 ... 10 V	18 ... 33 VDC / 24 VAC ±15%									1					
	4 ... 20 mA	11 ... 33 VDC									7					
	ration. 10 ... 90%	5 VDC ±5%									9					
Electrical connection	Cable 1.5 m, PG7															
	Connector ³⁾	DIN EN 175301-803-A DIN EN 60130-9												1		
Pressure connection	Inside thread	Stainless steel 1/8"-27 NPT or PVDF G 1/8"													0	
	Hose connection	CuZn nickel plated	for tube inside Ø 4 mm												1	1,4
		Stainless steel 1.4571 / AISI 316Ti	for tube inside Ø 4 mm												E	1,4
		CuZn nickel plated	for tube inside Ø 6 mm												2	1,4
		PVDF	for tube inside Ø 6 mm												3	2
	Pipe fitting	Stainless steel 1.4571 / AISI 316Ti	for tube inside Ø 6 mm												D	1,4
		CuZn nickel plated	for pipe outside Ø 6 mm												4	1,4
		Stainless steel 1.4305 / AISI 303	for pipe outside Ø 6 mm												5	1,4
		PVDF	for pipe outside Ø 6 mm												8	2
		CuZn nickel plated	for pipe outside Ø 8 mm												6	1,4
		Stainless steel 1.4305 / AISI 303	for pipe outside Ø 8 mm												7	1,4
	Case	PVDF	for pipe outside Ø 8 mm												9	2
Outside thread		7/16"-20 UNF CuZn nickel plated												A	1,4	
Adapter inside		G 1/8" Stainless steel 1.4305 / AISI 303												B	1,4	
Adapter outside		G 1/8" CuZn nickel plated with union nut												C	1,4	
Pressure range variation (optional)	Stainless steel 1.4305 / AISI 303														1	
	PVDF to 6 bar max.														2	
	Stainless steel with pressure tip orifice														4	
Indicate W and state range on order (e.g.: W0... + 8bar/OUT1...6V)															W	

Accessories

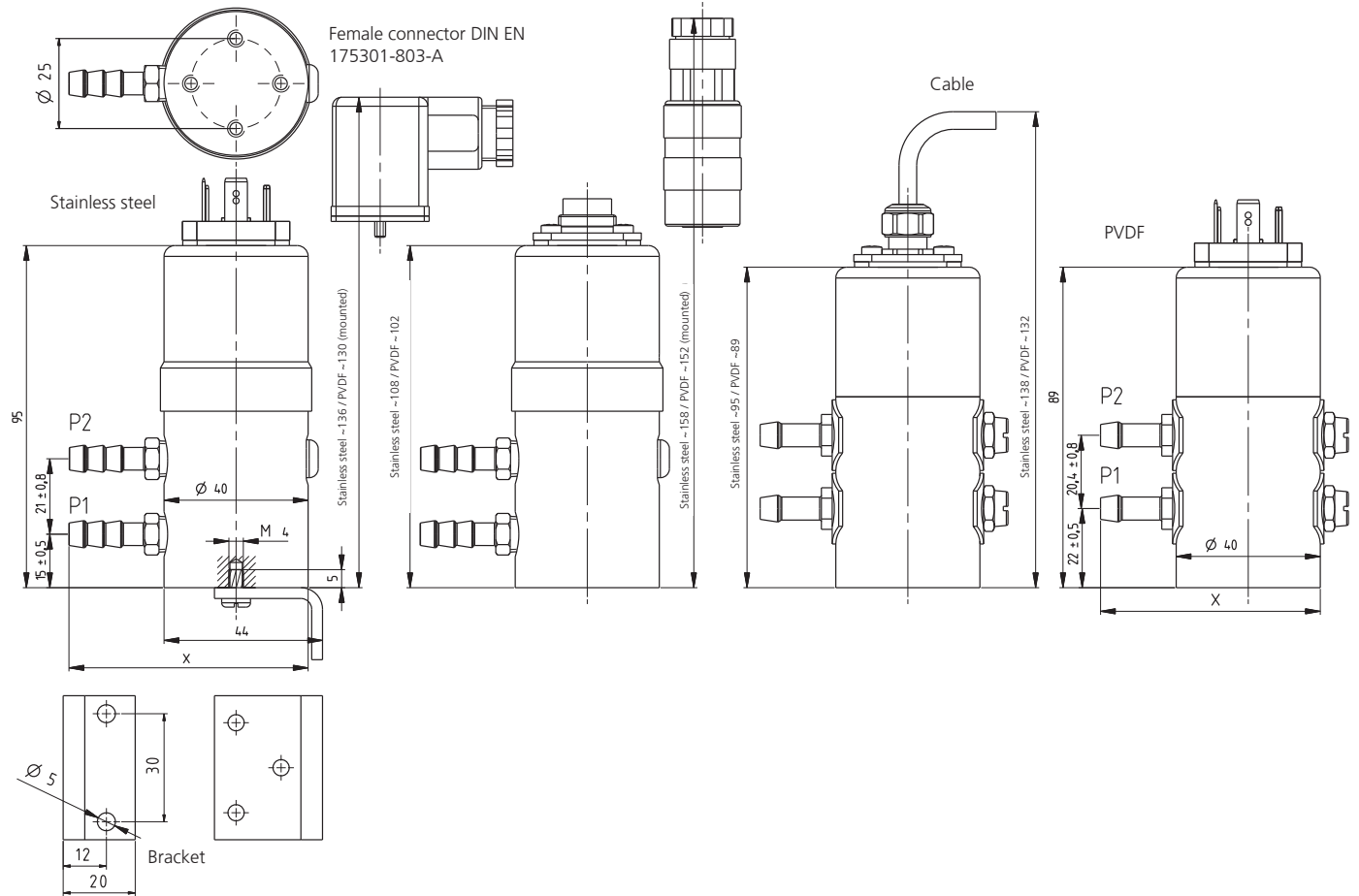
	Order number
Female connector DIN EN 175301-803-A with seal	103510
Female connector DIN EN 60130-9	103524
Mounting bracket incl. screws	101999
Calibration certificate	104551

¹⁾ TC = Temperature coefficient

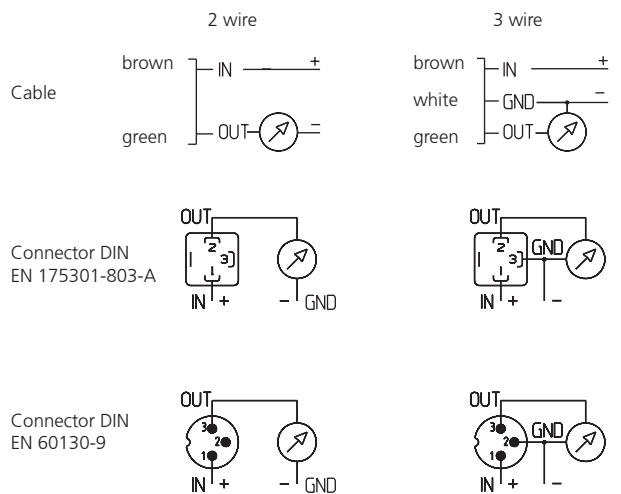
²⁾ Other pressure range on request

³⁾ Delivery without female connector

Female Connector
DIN EN 60130-9



	Stainless steel	Screw fitting for pipe outside Ø 6	L~24	a=10
	1.4305 AISI 303	Screw fitting for pipe outside Ø 8	X~65	b=12
	Stainless Steel	Inside thread G 1/8	L~12	a=14
	1.4305 AISI 303		X~53	
	CuZn nickel plated	Screw fitting for pipe outside Ø 6	L~24	a=10
		Screw fitting for pipe outside Ø 8	X~65	b=12
	CuZn nickel plated	Screw fitting for pipe outside Ø 6	L~25	a=12
		Screw fitting for pipe outside Ø 8	X~66	b=14
	CuZn nickel plated	Hose connection for tube Ø 4	L~20	a=10
	Stainless steel 1.4571 AISI 316Ti	Hose connection for tube Ø 6	X~61	
	CuZn nickel plated	Outside thread G 1/8	L~20	a=10
			X~61	b=12
	CuZn nickel plated	Outside thread 7/16-20 UNF	L~18	a=14
			X~59	
	PVDF	Screw fitting for pipe Ø 6	L~20	a=12
		Screw fitting for pipe Ø 8	X~61	b=12
	PVDF	Screw fitting for pipe Ø 6	L~23	a=14
		Screw fitting for pipe Ø 8	X~64	
	PVDF	Hose connection for tube Ø 6	L~20	a=10
			X~61	



Huba Control AG

Headquarters

Industriestrasse 17
5436 Würenlos
Telefon +41 (0) 56 436 82 00
Telefax +41 (0) 56 436 82 82
info.ch@hubacontrol.com

Huba Control AG

Niederlassung Deutschland

Schlattgrabenstrasse 24
72141 Walddorfhäslach
Telefon +49 (0) 7127 23 93 00
Telefax +49 (0) 7127 23 93 20
info.de@hubacontrol.com

Huba Control SA

Succursale France

Rue Lavoisier
Technopôle Forbach-Sud
57602 Forbach Cedex
Téléphone +33 (0) 387 847 300
Télécopieur +33 (0) 387 847 301
info.fr@hubacontrol.com

Huba Control AG

Vestiging Nederland

Hamseweg 20A
3828 AD Hoogland
Telefoon +31 (0) 33 433 03 66
Telefax +31 (0) 33 433 03 77
info.nl@hubacontrol.com

Huba Control AG

Branch Office United Kingdom

Unit 13 Berkshire House
County Park Business Centre
Shrivenham Road
Swindon Wiltshire SN1 2NR
Phone +44 (0) 1993 776667
Fax +44 (0) 1993 776671
info.uk@hubacontrol.com