

Additional lubrication system for MAN B&W Ruston 20RK270M Main Engines pre- and post-lubrication of ABB turbochargers type VTC-304-23.

PUMP DETAILS (Extraction from VARLEY Pumps Ltd.)

Type:

2M1.1/2T4R-04	MOTORISED 002SR-04 1.1kW D90 1.1 kW 4 POLE 400/3/50 SAFE AREA MATERIAL CAST IRON GR220	4.00
---------------	--	------

To Rustons Drawing no 80 338 00009-200

*Positive displacement double helical gear pump, close coupled motorised unit.
Complete with integral safety relief valve. Pump & motor spigot attached to a central mounting bracket, drive by means of a flexible coupling.*

Suction & discharge ports = 3/4 B.S.P

Rotation = Anti-clockwise (LOOKING ON SHAFT END OF THE PUMP)

SEAL TYPE: MECHANICAL

MOTOR DETAIL

1 1/2 HP (1.1 kw) ,1420 RPM.TEFC IP55, 415/400 V/3PH/50 HZ.

PUMP DUTIES

Flowrate : 3.3 igpm (910 l/h) nominal

Discharge Pressure : 42 kg/cm²

Liquid: Oil (SAE 40)

Temp : 7 C / 82 C

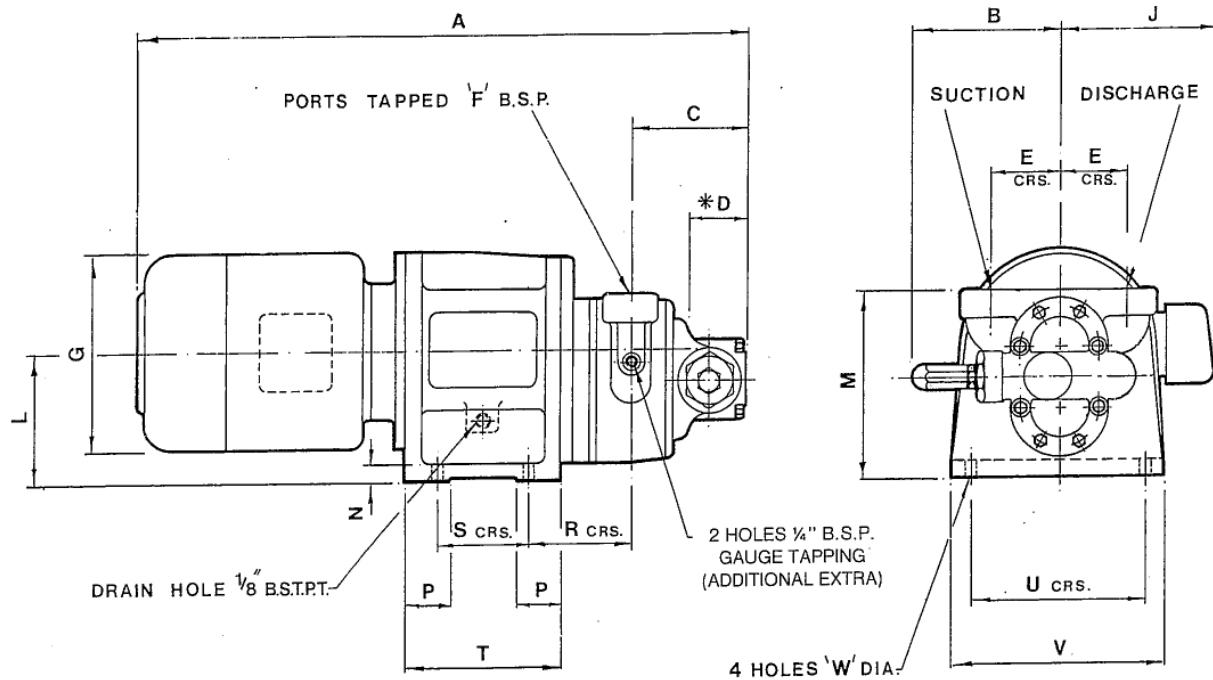
Viscosity@ operating Temp : 10,000 sri / 1200 sri (Approx)I

Suction : 12.2 psi abs

Speed : 1420 rpm.

Dimension Drawings

Horizontal Motorised Pump Sizes 1-2M



* WHEN BY PASS IS NOT FITTED SUBTRACT DIMENSION 'D'

ALL MOTOR DIMENSIONS BASED ON B.C.P. MOTORS

ALL DIMENSIONS IN MILLIMETRES UNLESS STATED OTHERWISE

Nomenclature	A	B	C	D	E	F	G	J	L	M	N	P	R	S	T	U	V	W	Wt Kg
1M½T8R	538	↑	↑	↑	↑	↑	181	140	↑	↑	↑	↑	↑	↑	↑	↑	↑	↑	32
1M¾T8R	563	↑	↑	↑	↑	↑	181	140	↑	↑	↑	↑	↑	↑	↑	↑	↑	↑	34
1M¼T6R	464						152	92											22
1M½T6R	515						164	132											27.5
1M¾T6R	515		70			½" BSP	164	132					70						27.5
1M1T6R	515						164	132											27.5
1M½T4R	464						152	92											22
1M¾T4R	515						164	132											27.5
1M1T4R	515						164	132											27.5
1M½T4R	538		↓			↓	181	140											32
2M½T8R	549	83	↑	33	46	↑	181	140	105	143	12	45	↑	80	140	130	170	11	32
2M¾T8R	574		↑			↑	181	140											34
2M½T6R	526						164	132											27.5
2M¾T6R	526						164	132											27.5
2M1T6R	549						181	140											32
2M1½T6R	574		76			¾" BSP	181	140					76						34
2M½T4R	475						152	92											22
2M¾T4R	526						164	132											27.5
2M1T4R-04	526						164	132											27.5
2M1½T4R-04	549						181	140											32
2M2T4R	574	↓	↓	↓	↓	↓	181	140	↓	↓	↓	↓	↓	↓	↓	↓	↓	↓	34

Pump Performance Curves

Pump Size 2

- Curve A - Viscosity 7400 S.R.I., 1850 Centi-stokes OR 8000 SSU
- Curve B - Viscosity 310 S.R.I., 76 Centi-stokes OR 360 SSU
- Curve C - Viscosity 75 S.R.I., 17 Centi-stokes OR 86 SSU

