

QUICK COUPLING W9 3/8" HOSE BARB

ART. NO. 800082

GENERAL

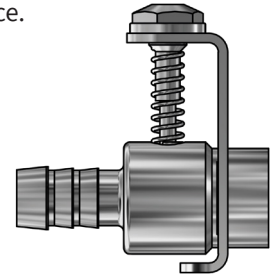
KEOFITT has the widest selection of spare parts and accessories to complete your sampling system.

Compatible with all KEOFITT sampling valves with W9, Sesame, 4KAI and Basix hose piece.

FEATURES

Connection: W9 hose piece in-/outlets

Outlet: Fitting for 10/8 mm PTFE tube (#900047)



CERTIFICATION*

- EU EC 1935/2004 · EU EC 2023/2006 · DK No. 1248 10/2018 · FDA CFR 21 §177.2600
- REACH · RoHS · ADI Free · Keofitt DoC

TECHNICAL DATA

Materials

- Steel parts AISI 316L (1.4404)
- O-ring Silicone, red (#800830)

Surface

- Outside Electropolished
- Inside Ra ≤ 0.5 µm

Pressure & Temperature

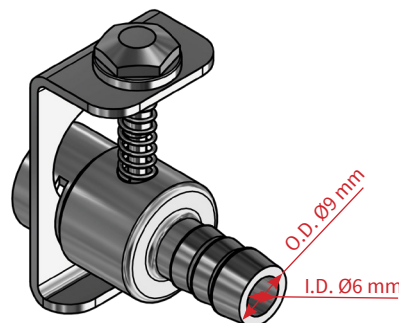
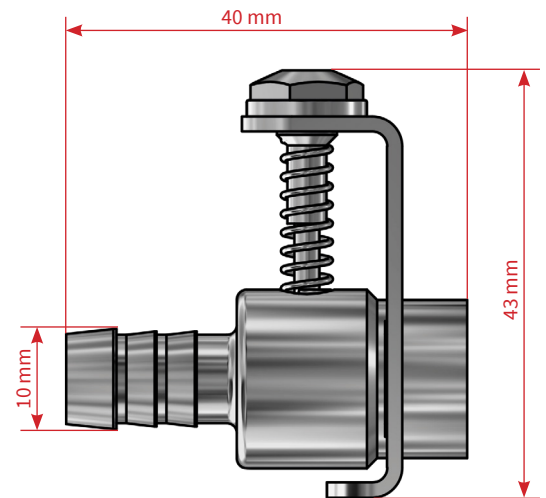
- Pressure 0 - 12 bar / 0 - 174 psi
- Temperatur 1 - 150°C / 34 - 302°F

Net Weight

- kg/lbs 0.005 kg/0.012 lbs

Spareparts

- 800830 10 Pack O-ring silicone 10.3 x 2.4



*For further information and downloads please visit www.keofitt.dk