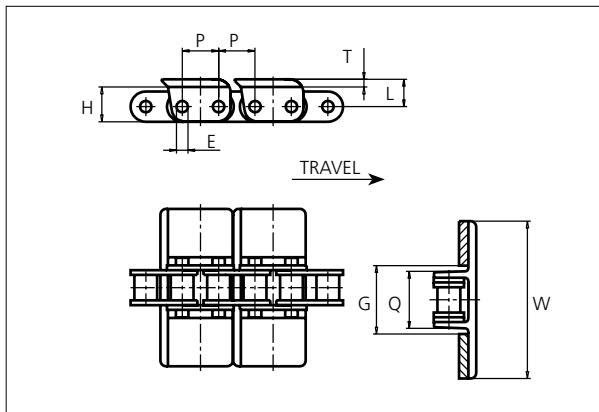




Snap-On Plastic Chain

Series **uni 863** Type -



Snap-On Plastic Chain

Straight running chain
 Pitch: 19.1 mm (0.75 in)
 Backflex radius: 150.0 mm (5.90 in)
 Permissible tensile strength:
 uni 863 with (SS304) stainless steel chain: 2700 N (600 lbf)
 uni 863 with carbon steel chain: 5500 N (1200 lbf)
 Standard shipping lengths:
 No. of roller chain links/box: 160 = 3.048 m (10.0 ft)
 No. of flights/box: 80 = 3.048 m (10.0 ft)

E		G		H		L		P		Q		T	
mm	in	mm	in	mm	in	mm	in	mm	in	mm	in	mm	in
6.0	0.24	36.5	1.44	18.6	0.73	14.3	0.56	19.1	0.75	30.5	1.20	4.0	0.16

All dimensions are for chains in POM material.

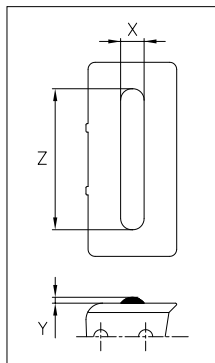
All Snap-On versions can be delivered either with a stainless steel chain (SS304) or a carbon steel chain.

	Width (W)		Flight material & color	Chain material	Weight	
	mm	in			kg/m	lb/ft
K175	44.5	1.75	-	-	-	-
K250	63.5	2.50	-	-	-	-
K325	82.6	3.25	POM-DI G	SS304 or Carbon steel	2.1	1.41
K450	114.3	4.50	POM-LFI BR	SS304 or Carbon steel	2.3	1.55
K600	152.4	6.00	-	-	-	-
K750	190.5	7.50	-	-	-	-

Non standard material and color: See uni Material and Color Overview.

Accessories

Rubber Top



When ordering, please state the required distance between the Rubber Top.

Other Non Standard rubber profiles: See uni Rubber Profile Overview.

Width	Link material	Rubber material	Z		X		Y	
			mm	in	mm	in	mm	in
K325	POM-DI G	05 I	60.0	2.36	10.0	0.39	2.5	0.10
K450	POM-LFI BR	05 I	105.0	4.13	10.0	0.39	2.5	0.10

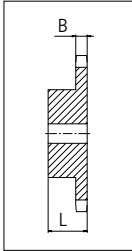
STANDARD

STRAIGHT RUNNING

PITCH 19.1 MM/0.75 IN

Sprocket

No. of teeth	Pitch diameter		Hub diameter		Overall width L		Tooth width B		Bore		Machined S1045
	mm	in	mm	in	mm	in	mm	in	mm	in	
Z19	115.7	4.56	80.0	3.15	35.0	1.38	11.7	0.46	16.0	0.63	✓
Z20	121.8	4.79	80.0	3.15	35.0	1.38	11.7	0.46	16.0	0.63	✓
Z25	152.0	5.98	90.0	3.54	40.0	1.57	11.7	0.46	20.0	0.79	✓



Please ensure that sufficient size shaft and keyway are chosen for corresponding load.

Non standard material and color:
See uni Material and Color Overview.

Other sprocket sizes are available upon request.
uni Retainer Rings: See uni Retainer Ring data sheet.

uni 863/20181203



Expert advice, quality solutions and local service for all your belting needs
www.ammeraalbeltech.com

Ammeraal Beltech Modular A/S
Hjulmagervej 21
DK-7100 Vejle

T +45 7572 3100
F +45 7572 3348
admin@unichains.com
www.unichains.com

This information is subject to alteration due to continuous development. Ammeraal Beltech will not be held liable for the incorrect use of the above stated information. This information replaces previous information. All activities performed and services rendered by Ammeraal Beltech are subject to general terms and conditions of sale and delivery, as applied by its operating companies.