

# TM-5 Lubricator

## Automatic Cyclic



### Operation

Lubricator is a motor-driven piston pump spring discharge type. Pump cycle time is controlled by an integral gear reduction in the motor. Lubricator can be actuated manually by raising and releasing the instant feed button. Available cycle times are shown in the table below.

Cycle Time	
50 Hz	60 Hz
6.4 min	5.3 min
10.6 min	8.8 min
32.0 min	27.7 min
64.0 min	53.5 min
128.0 min	107.0 min



Note: Conversion kits for Crouzet motors are available - request part #26500.

### Technical Data

Reservoir Capacity	1 liter (approximately 1 quart) 1 gallon
Lubricator Inlet Filter	40 micron particle separation
Discharge Pressure	60 psi maximum
Factory Discharge Setting	5cc
Discharge Volume Per Cycle*	2.5 to 5cc infinitely adjustable
Viscosity range	150 to 8,000 SSU at operating temperature

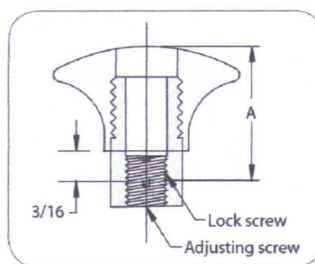
### Notes Regarding Use

1. Lubricator inlet filter should be inspected periodically and cleaned/replaced as required.
2. Discharge pressure will decrease as discharge volume decreases, the number of meter units in the system increases or oil viscosity decreases.

### \*Discharge Volume Per Cycle

To reduce oil delivery, remove lock screw, measure "A", turn adjusting screw clockwise, increasing "A" by "B" dimension, as shown on table below.

B	Discharge
0.40"	2.5cc
0.32"	3.0cc
0.24"	3.5cc
0.16"	4.0cc
0.08"	4.5cc
0"	5.0cc





### Distribution System

Use Type F meter units. Maximum number of meter units permissible is 70. For system flow value ( $\sigma T$ ) limitations, refer to table below.

Meter Units (#)	Discharge Per Cycle (cc)		
	3	4	5
5	700	800	800
10	550	680	750
15	440	520	650
20	360	460	520
25	320	400	450
30	275	325	390
40	210	245	290
50	155	185	220
60	110	135	160

### Motor

Continuous duty, single phase, synchronous induction timing motor for 50/60 Hz, dual wound for 115/230 VAC. Power consumption is 3 watts. Bijur reserves the right to change motor size, mounting dimensions, and/or manufacturer.

### Liquid Level Switch

Models of this lubricator equipped with liquid level switch are listed in the *How to Order* chart on page 3. They are supplied so the switch will close an electrical circuit whenever the oil in the reservoir is **above** the minimum operating level. Thus, when connected to a light or other indicating device, the liquid level can be monitored.

Customers may reverse the operation when desired by inverting the float. When the float is reversed, the switch will close an electrical circuit whenever the oil level is **below** the minimum operating level.

*Note: Switch contact rating is 10 watts maximum (light or indicating device not supplied by Bijur Delimon).*

#### Motor Wiring Connections

115VAC	Yellow & Red wires (Insulate Black wire)
230VAC	Yellow & Black wires (Insulate Red wire)



### How To Order

Cycle Time		TM-5 with 1 Liter Reservoir		TM-5, Pump Only*		Motor & Gear Box
		w/ Level Switch	No Level Switch	w/ Level Switch	No Level Switch	
50 Hz	60 Hz	Part #	Part #	Part #	Part #	Part #
6.4 min	5.3 min	D2986	D2994	D3156	D3150	24278-3
10.6 min	8.8 min	D2988	D2996	D3155	D3151	24278-1
32.0 min	27.7 min	D2990	D2998	D3154	D3006	24278-2
64.0 min	53.5 min	D3187	D3189	D3153	D3454	24278-4
128.0 min	107.0 min	D2992	D3000	D3152	D3153	24278-5

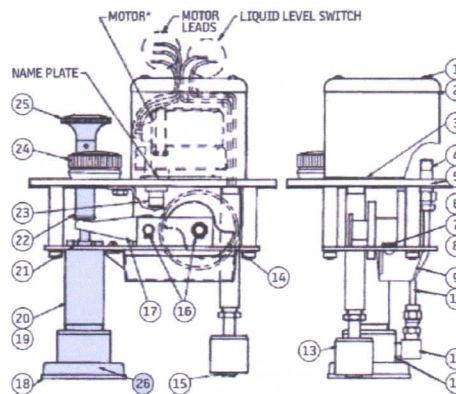
\*Reservoirs are also available for stand-alone lubricators:  
 1 gallon aluminum (part #D3295)  
 or  
 4 liter plastic (part #D3892).

When ordering, specify lubricator type and part number such as: TM-5 Lubricator, Part #D2994.

### Service Parts

Order by part number and name show in table. Include complete lubricator part number and serial letters as shown on nameplate. Example: S109 filter group for lubricator D3150, Serial NF. For major repairs requiring parts not identified on the drawing, return the lubricator for factory rebuilding and adjustment. If a new lubricator is required for replacement, order by part number and serial letters shown on the nameplate.

Item	Part #	Description
1	HS195	Screw-cover Mounting
2	B9826	Motor Cover
3	B9834	Gasket Motor Cover
4	B3108	Thru Coupling
5	B8197	Reservoir Gasket
6	HS276	Screw
7	HW308	Lock Washer
8	HN234	Hex Nut
9	B9302	Reservoir Worm & Gear Lubrication
10	B7301-51/2	Outlet Tube Assembly
11	B3815	Outlet Check Valve
12	B9558	Inlet Valve Assembly
13	B8561	Float Switch Assembly
14	B9311	Cam & Gear Assembly
15	H0402	O-ring
16	HW329	Retaining Ring
17	B9315	Rocker Arm Assembly
18	S109	Filter Group
19	B9475	Piston Assembly
20	B4705	Cylinder Only

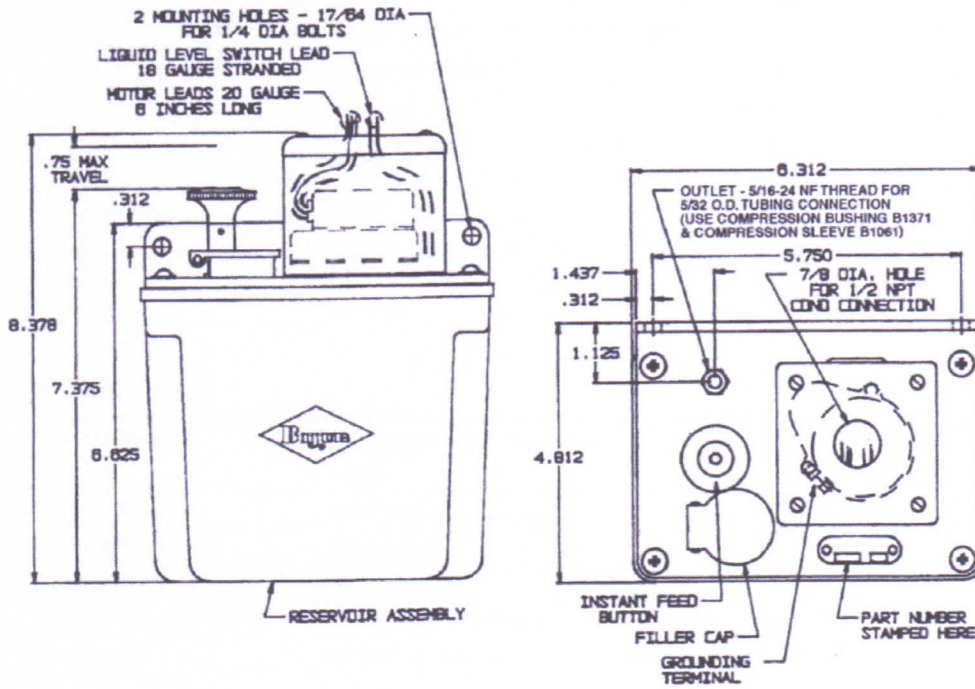


21	B4715	Cylinder Nut
22	B9476	Operating Sleeve
23	B9308	Drive Shaft Assembly
24	B9230C	Filler Cap (Plastic)
	HF705C	Filler Cap (Steel)
25	B8194	Instant Feed Button
26	S295	Piston/Pump Service Group
27	D3218	Replacement Reservoir (not shown)

**Dimensional Schematics**

Measurements shown in inches.

**TM-5 with 1 Liter Reservoir**



**TM-5, Pump Only**

