

# TELECRANE F21-4S

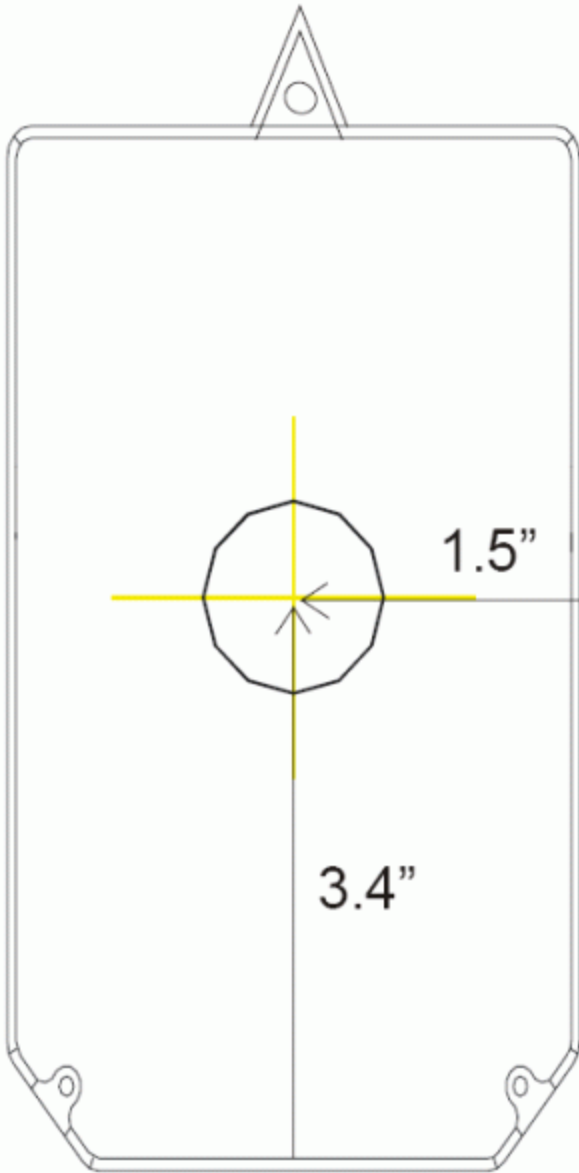
The TELECRANE model F21-4S Industrial Radio Remote Control system is rugged and reliable, suitable for use with 2-motion, 1-speed monorails (up/down/east/west motions), A/B/Both hoist installations, doors, motors, and many other industrial applications. The receiver mounts with a single vibration-damping threaded stud and is pre-cabled for easy installation, and the transmitter is lightweight and convenient to use. The TELECRANE model F21-4S is the safe solution to your wireless control needs.



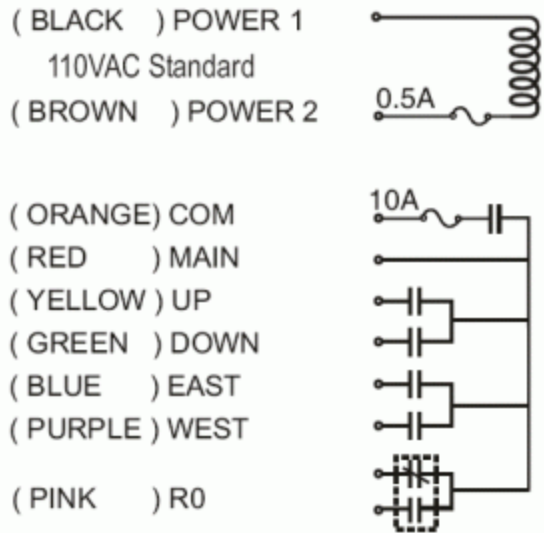
<b>Specifications</b>	
Number of buttons	4
Number of button steps	1
Control voltage	110V AC standard; 220V AC available
Number of transmitters included	1
Typical applications	2-motion, 1-speed monorail hoist
Operating distance	250 ft.
Frequency band	310-320 MHz
Frequency generation	Crystal
Security coding	128-bit framing protocol with 32-bit serial number embedded; error detection and correction encoded
Environmental rating	IP65
Licensing	FCC Part 15 accepted- No license needed
Warranty	1 year against defects in manufacture (casing and consumable parts excepted)
Temperature rating	-35 to 75 deg C (-31 to 167 deg F)
Case material	30% glass-fiber reinforced nylon-6
RX size	7.4 in. (not including cable) x 3.4 in. x 7.1 in. (including antenna)
RX part number	F21-4S-RX

RX power supply input	110V AC standard; 220V AC available
RX relay rating	10A at 250V AC
RX weight	2 lbs.
TX part number	F21-4S-TX
TX size	6.2 in. x 2.4 in. x 2 in.
TX weight	9 oz.
TX power source	2 AA alkaline batteries
TX battery power indication	LED
TX button specifications	Tested to 2,000,000 operations
TX start key	3-position, removable OFF/ON/START rotary key
TX stop button	Push-to-activate, twist-to-release emergency stop button
<b>Transmitter Specifications</b>	
Operating distance	250 ft.
Frequency band	310-320 MHz
Frequency generation	Crystal
Security coding	128-bit framing protocol with 32-bit serial number embedded; error detection and correction encoded
Environmental rating	IP65
Licensing	FCC Part 15 accepted- No license needed
Warranty	1 year against defects in manufacture (casing and consumable parts excepted)
Temperature rating	-35 to 75 deg C (-31 to 167 deg F)
Case material	30% glass-fiber reinforced nylon-6
RX part number	F21-4S-RX
TX size	6.2 in. x 2.4 in. x 2 in.
TX weight	9 oz.

TX power source	2 AA alkaline batteries
TX battery power indication	LED
TX button specifications	Tested to 2,000,000 operations
TX start key	3-position, removable OFF/ON/START rotary key
TX stop button	Push-to-activate, twist-to-release emergency stop button
<b>Receiver Specifications</b>	
Typical applications	2-motion, 1-speed monorail hoist
Operating distance	250 ft.
Frequency band	310-320 MHz
Frequency generation	Crystal
Environmental rating	IP65
Licensing	FCC Part 15 accepted- No license needed
Warranty	1 year against defects in manufacture (casing and consumable parts excepted)
Temperature rating	-35 to 75 deg C (-31 to 167 deg F)
Case material	30% glass-fiber reinforced nylon-6
RX size	7.4 in. (not including cable) x 3.4 in. x 7.1 in. (including antenna)
RX power supply input	110V AC standard; 220V AC available
RX relay rating	10A at 250V AC
RX weight	2 lbs.



### F21-4S Wire Diagram





# F21-4S

**Auto Shut Down time**  
**Default setting : Never**

- 10 minutes
- 20 minutes
- 30 minutes
- 1 hour
- 2 hours
- 3 hours
- 4 hours




**normal, interlocked with button "DOWN"**

- normal, not interlocked
- toggle (on/off)
- on (off is button "DOWN")


**normal, interlocked with button "UP"**

- normal, not interlocked
- toggle (on/off)
- off (on is button "UP")

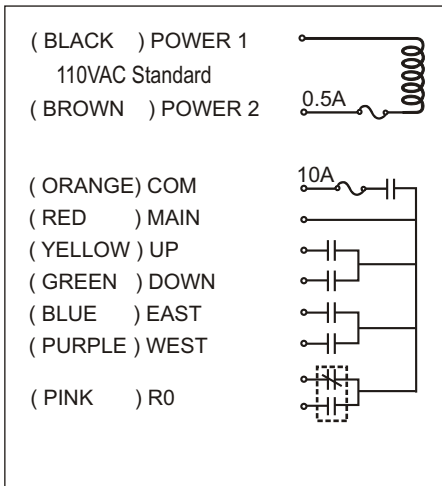

**normal, interlocked with button "WEST"**

- normal, not interlocked
- toggle (on/off)
- on (off is button "WEST")


**normal, interlocked with button "EAST"**

- normal, not interlocked
- toggle (on/off)
- off (on is button "EAST")

## F21-4S Wire Diagram



## Start key second function setting

**Default setting normal momentary control of R0**

- toggle (on/off) of Relay R0
- inching .1 seconds
- inching .2 seconds
- inching .3 seconds
- inching .4 seconds
- inching .5 seconds
- inching .6 seconds
- inching .7 seconds
- inching .8 seconds
- inching .9 seconds