

Low Cost Submersion and In-Line pH Electrodes



S270 Series Ryton Sensors



S260 Series Ryton Sensors



S222 Series Quick Disconnect Models

Economical design for in-line or submersion use

Choose from single or double junction models

Threaded 1/2" or 3/4" NPT connections

Choose from spherical or flat pH measuring surfaces

Special models for low ionic and other specialty applications available

This series of electrodes is designed to provide an economical multi-purpose solution for in-line or submersion pH measurements. Based on our proven S200C bulb and S350CD flat surface pH glass technology, these rugged and durable electrodes are available in Ryton nipples with 1/2" or 3/4" NPT threads; or in our durable epoxy body with or without quick disconnect top caps. Choose from single or double junction designs, flat or recessed measuring surface configurations and cable lengths and connectors as required. For special configurations such as low ionic models, fluoride resistant pH glass and other specialty sensors, please contact the Sensorex sales or technical support department.

Specifications

| | |
|--------------------|--|
| Measuring Range | 0-14 pH (Sodium ion error >12.3pH) |
| Body material | Epoxy (S200,S222, S353, S354 Series) or Ryton (S265-S269 Series, S271CD, S272CD & S273CD) |
| Max Temp/Pressure | S265-S269 Series : 32-176 deg F (0-80 deg C)/70 psig S271CD,S272CD & S273CD : 170 deg F (75 de C)/100 psig, 180 deg F (81 deg C)/85 psig, 212 deg F (100 deg C)/50 psig |
| Connector | BNC, tinned wires (other connectors available for an additional charge), S353CD AND S353CD have DIN Cap and require DIN-EL mating connector |
| Cable length | 30" or longer for S200 Series lengths at additional cost user specified (Cap-cable S653 required for S222 Series). 10ft length for S265-S269 series, 10ft waterproof cable for S271CD, S272CD & S273CD |
| Process Connection | 1/2" or 3/4" MNPT for submersion or in-line, S354CD has DIN 13.5mm threads |

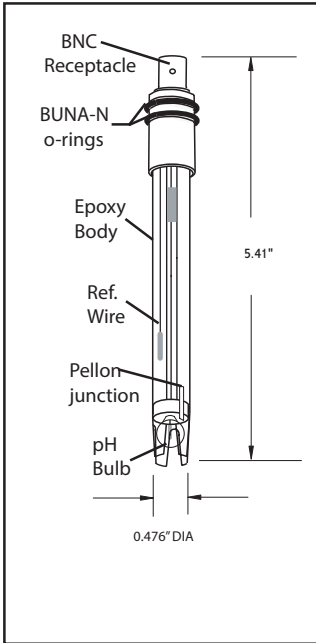
Parts covered by this product data sheet include:

S200C, S200CD, S222C, S222CD, S223C, S223CD, S224C, S224CD, S265C-S269CD, S271CD, S272CD, S272CDTC, S273CD, S273CDTC, S353CD, S354CD

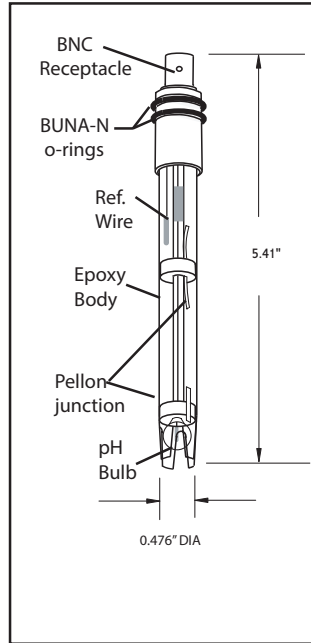
Low Cost Submersion and In-Line pH Electrodes

Designed to provide an economical multi-purpose solution for in-line or submersion pH measurements.

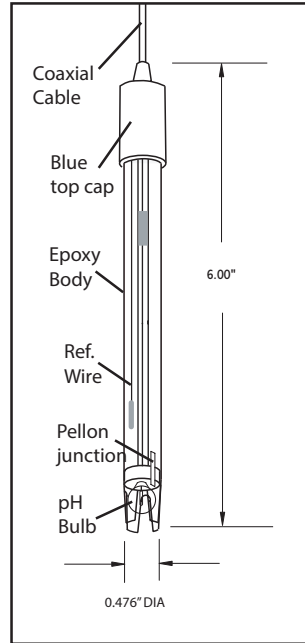
S222C



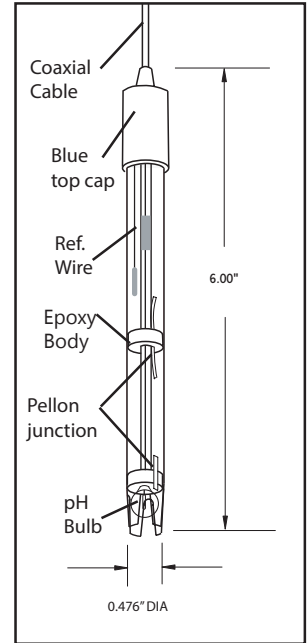
S222CD



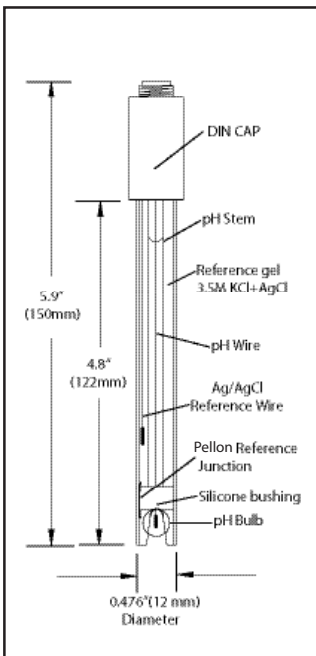
S200C



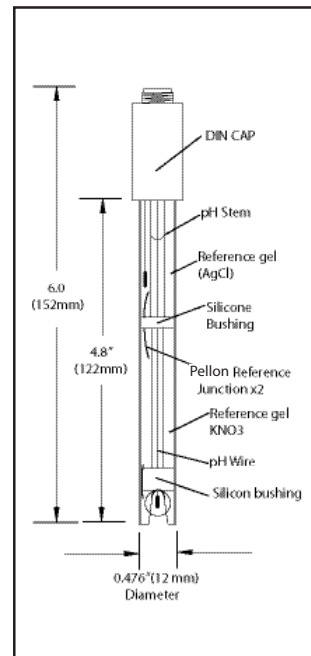
S200CD & S200CD-LC



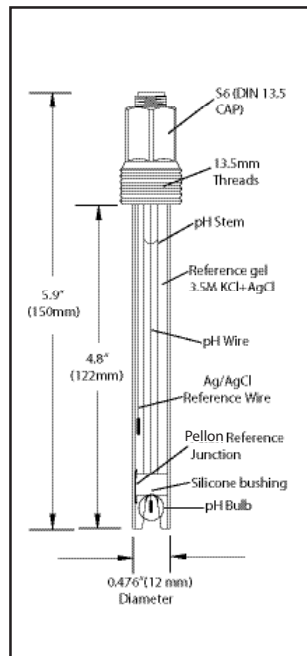
S223C



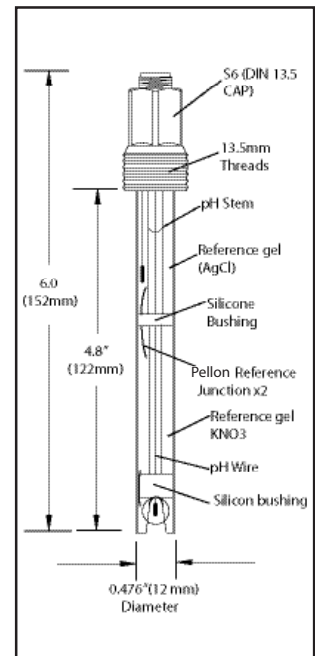
S223CD



S224C



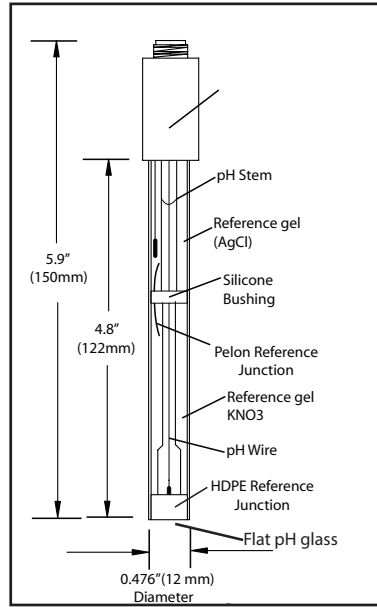
S224CD



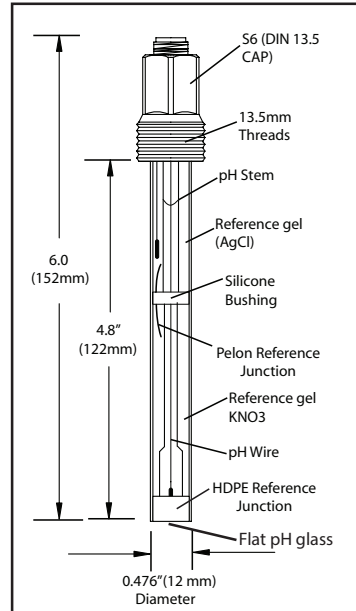
Low Cost Submersion and In-Line pH Electrodes

Designed to provide an economical multi-purpose solution for in-line or submersion pH measurements.

S353CD

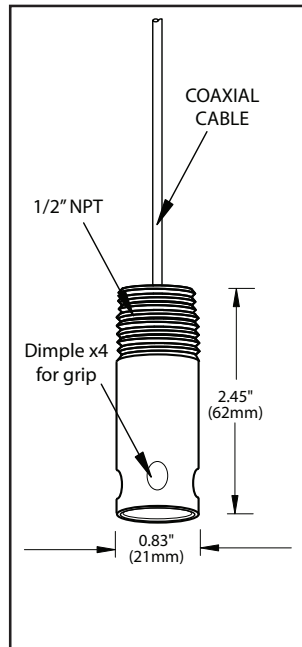
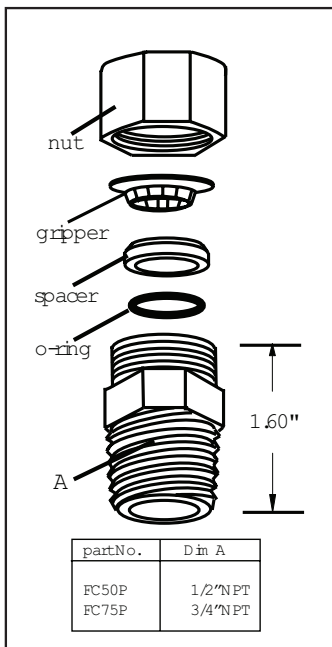


S354CD

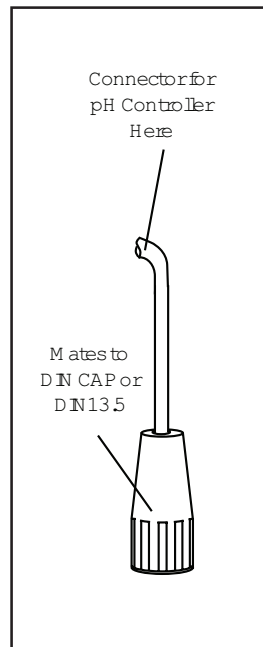


S653 Cap and Cable for Conduit use

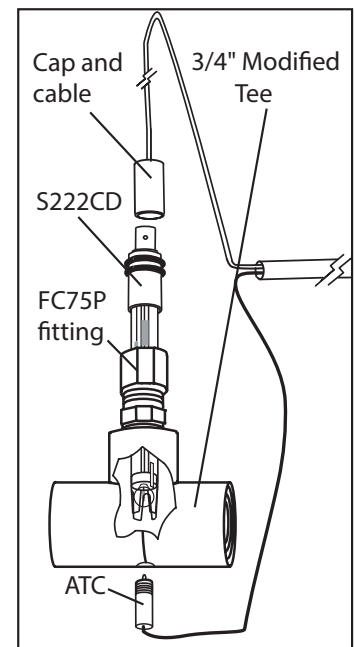
FC50P and FC75P



DIN-EL Ext. Cable for DIN Cap Models

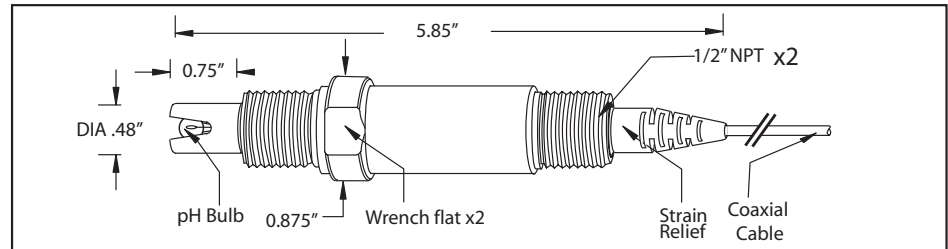
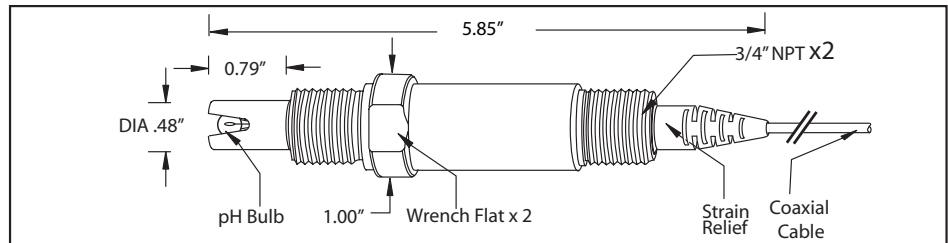
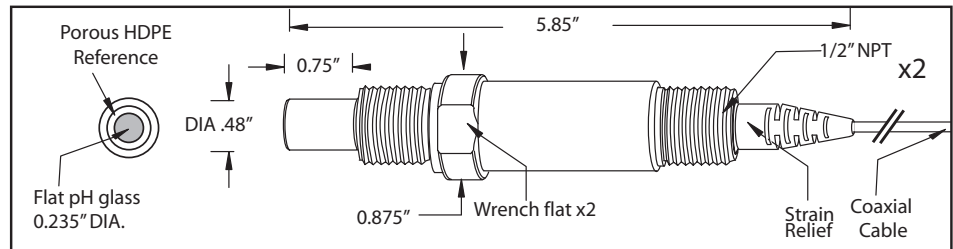
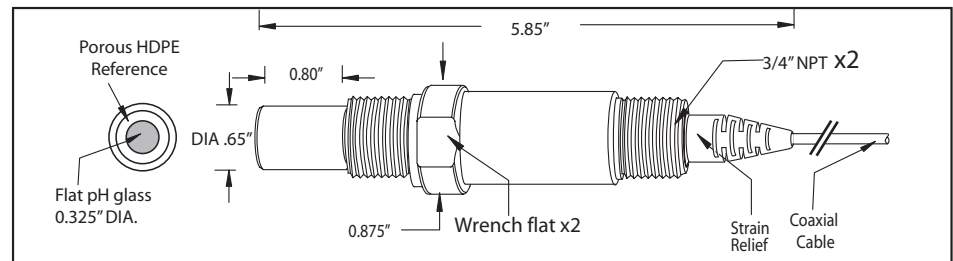


FC75TC Installation



Low Cost Submersion and In-Line pH Electrodes

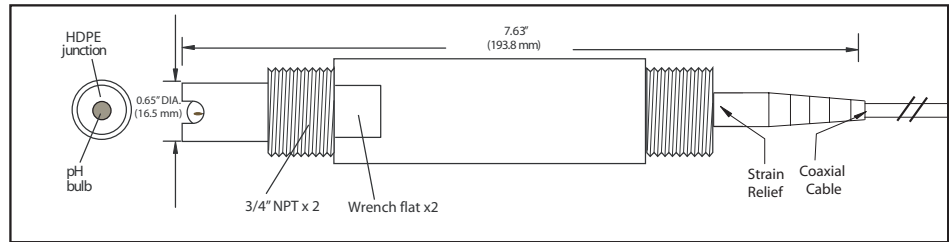
Designed to provide an economical multi-purpose solution for in-line or submersion pH measurements.

S265C/CD

S267C/CD

S268CD

S269CD


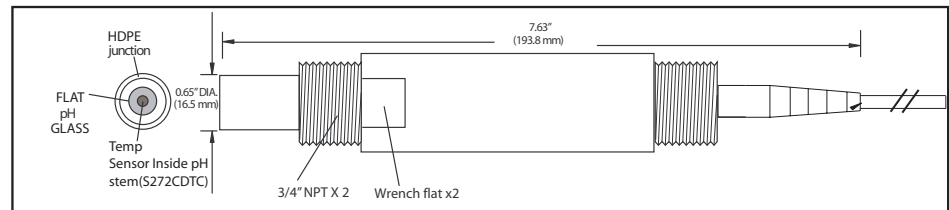
Low Cost Submersion and In-Line pH Electrodes

Designed to provide an economical multi-purpose solution for in-line or submersion pH measurements.

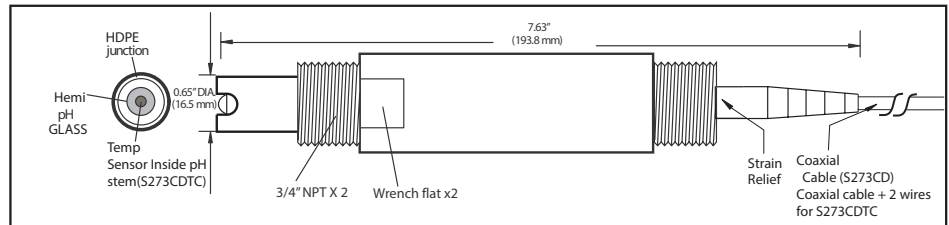
S271CD



S272CD & S272CDTC



S273CD & S273CDTC



Ordering Information

These economical sensors are submersion and in-line ready by utilizing the 1/2" or 3/4" MNPT threads on the sensor. 10ft cable length is standard. Special lengths available upon request.

| pH Sensors | Body Material | Key Features |
|---|---------------|--|
| (To order an ORP model instead of pH, simply add - ORP to the model numbers below.) | | |
| S265C | PPS | Single junction 1/2" NPT spherical bulb |
| S265CD | PPS | Double junction 1/2" NPT spherical bulb |
| S267C | PPS | Single junction 3/4" NPT spherical bulb |
| S267CD | PPS | Double junction 3/4" NPT spherical bulb |
| S268CD | PPS | Double junction 1/2" NPT flat surface |
| S269CD | PPS | Double junction 3/4" NPT flat surface |
| S271CD | PPS | Double junction 3/4" NPT spherical bulb, heavy duty |
| S272CD | PPS | Double junction 3/4" NPT flat surface, heavy duty |
| S272CDTC | PPS | Double junction 3/4" NPT flat surface, heavy duty with Temperature Sensor, Pt100 or Pt1000RTD |
| S273CD | PPS | Double junction 3/4" NPT hemi pH glass surface, heavy duty |
| S273CDTC | PPS | Double junction 3/4" NPT hemi pH glass surface, heavy duty with Temperature Sensor, Pt100 or Pt1000RTD |

Low Cost Submersion and In-Line pH Electrodes

Designed to provide an economical multi-purpose solution for in-line or submersion pH measurements.



Mounting glands



Color coded pH buffers



TX100 2-wire pH transmitter

Ordering Information

These economical sensors can be used for submersion or in-line use. Mounting is accomplished by ordering the appropriate mounting gland listed below.

| Sensor | Type |
|-----------|---|
| S200C | Single junction spherical style bulb |
| S200CD | Double junction spherical style bulb |
| S200CD-LC | Low ionic, double junction, spherical style bulb |
| S222C | Single junction spherical style bulb-Quick disconnect |
| S222CD | Double junction spherical style bulb-Quick disconnect |
| 970796 | Double junction flat pH glass-Quick disconnect |
| S223C | Single junction spherical style bulb- DIN Cap |
| S223CD | Double junction spherical style bulb-DIN Cap |
| S353CD | Double junction flat pH glass-DIN Cap |

DIN 13.5 Threaded Cap Sensors - (Do not require mounting fitting. Mount via DIN 13.5 thread)

| Sensor | Type |
|--------|--|
| S224C | Single junction spherical style bulb- DIN 13.5 Cap(S6) |
| S224CD | Double junction spherical style bulb-DIN 13.5 Cap(S6) |
| S354CD | Double junction flat pH glass-DIN 13.5 Cap(S6) |

Accessories

| | |
|------------------------|---|
| FC50P | 1/2 " NPT mounting gland for 12mm electrodes |
| FC75P | 3/4 " NPT mounting gland for 12mm electrodes |
| FC75TC | 3/4 "flow cell, mounting gland and ATC cable for 12mm electrodes |
| S653 | Cap Cable assembly for S222 series (Specify cable length and connector termination when ordering) |
| EXT Cable - DIN EL/"X" | Extension cable for DIN cap and DIN 13.5 electrodes (Series S223, S224, S354) |
| TX100 | 4-20mA loop-powered pH transmitter |
| B104 | 1 pint 4.01 pH Buffer |
| B107 | 1 Pint 7.00 pH Buffer |
| B110 | 1 Pint 10.00 pH Buffer |