

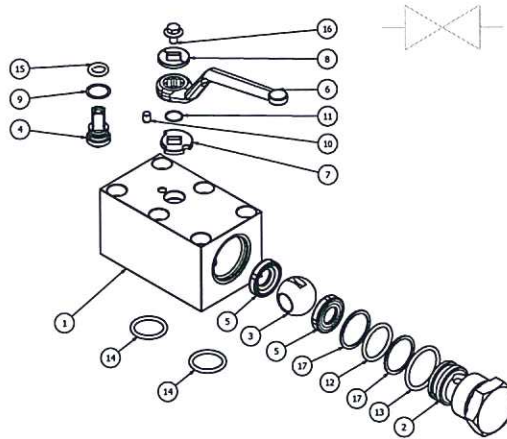
— GPK2

2-WAY HIGH PRESSURE BALL VALVES

CARBON STEEL

- Type: ball valve GPK 2 way
- Body: square
- Ball seats: from DN6 up to DN50
- Operating pressure: 500 Bar
depending on valve size and seal materials selected
- Temp range: -20°C to +100°C
depending on seal material selected

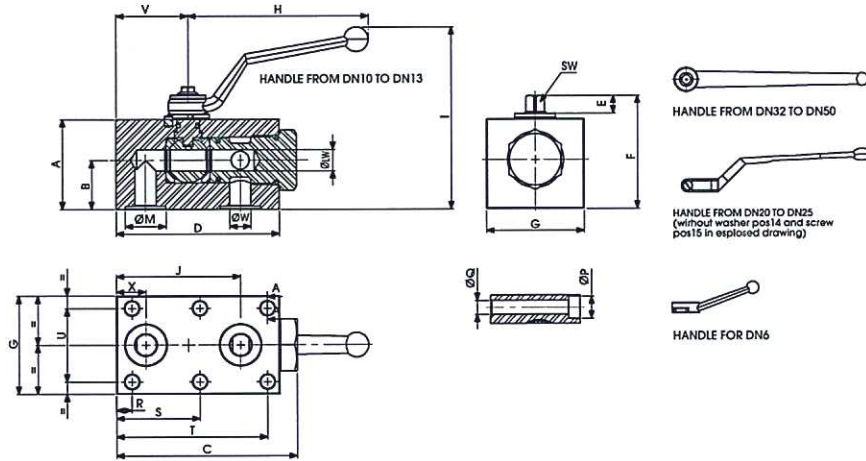




CARBON STEEL				CARBON STEEL							
POS	DESCRIPTION	MATERIAL	Q.TY	GPK2	DN13	1	1	1	1	A	B
1	Body	1,0737	1								
2	Adapter	1,0737	1								
3	Ball	1,0737	1								
4	Stem	1,0737	1								
5	Ball seat	POM	2								
6	Handle	ZINC	1								
7	Washer	1,0116	1								
8	Washer	1,0116	1								
9	Stem ring	POM	1								
10	Spine	1,0737	1								
11	Seeger	1,4301	1								
12	Adapter o-ring	NBR	1								
13	Adapter o-ring	NBR	1								
14	Body o-ring	NBR	2								
15	Stem o-ring	NBR	1								
16	Screw	Din 6921 8,8	1								
17	Back-Up	PTFE	2								
				TYPE AND WAY OF VALVE	NOMINAL DIMENSION	BODY MATERIAL	ADAPTER MATERIAL	STEM MATERIAL	BALL MATERIAL	BALL SEAT MATERIAL	ADAPTER AND STEM SEAL MATERIAL
				GPK 2-way	DN6 DN10 DN13 DN20 DN25 DN32 DN40 DN50	1 1,0737	1 1,0737	1 1,0737 4 1,4404*	1 1,0737 4 1,4404*	A POM D PEEK* G PAG12* K GEMPTFE* C PTFE*	B NBR E FKM*

- *On request:
- Reduced bore
 - Pressure class up to PN50 Mpa
 - Pneumatic and electrical actuator
 - Locking device

For further special requests please consult our technical/commercial service



GPK2 DIN ISO 228 BSP

Standard

CARBON STEEL

TYPE	PN	DN	A	B	C	D	E	F	G	H	I	ØM	ØW	X	J	ØP	ØQ	R	S	T	U	V	SW	ØLW	Kg	ITEM CODE
GPK2	50 MPa	6	35	22,5	64,5	58	7,5	42,5	40	60	61	11,8	6	9,5	44,5	10,5	6,5	9	-	44	27	26,5	6	6	0,593	GP200T15011A000
GPK2	50 MPa	10	45	22,5	79,5	70	11	59	55	110	101	14,9	9,8	10	54	13,5	8,5	7,5	-	62,5	40	28,75	9	10	1,304	GP200T25011A000
GPK2	40 MPa	13	55	30	110,5	100	11	69	60	110	111	24,9	13	18	76	13,5	8,5	9,5	51	92,5	45	44	9	13	2,387	GP200T34011A000
GPK2	35 MPa	20	70	38,5	129	118	14	88,5	70	180	121,5	29	20	21	90	16,5	10,5	11,5	60	108,5	51	52	14	20	4,079	GP200T43011A000
GPK2	35 MPa	25	79,5	44	146	135	14	98	80	180	131	34,9	25	24	105	16,5	10,5	9	66,5	124	60	61,25	14	25	5,883	GP200T53011A000
GPK2	35 MPa	32	105,5	58,75	183,5	165	14	124	100	300	124	39,7	32	28	124	19	13	11	79	147	78	74	17	32	12,169	GP200T63011A000
GPK2	35 MPa	40	115	61,25	201,5	185	14	133,5	130	300	134	47,7	37	29	141	25	16,5	29	85	141	95	85	17	40	18,624	GP200T73011A000
GPK2	35 MPa	50	129	72	256,5	240	14	147	150	300	147,5	59,8	48	38	174	31	21	38	106	174	112	106	17	48	30,644	GP200T83011A000