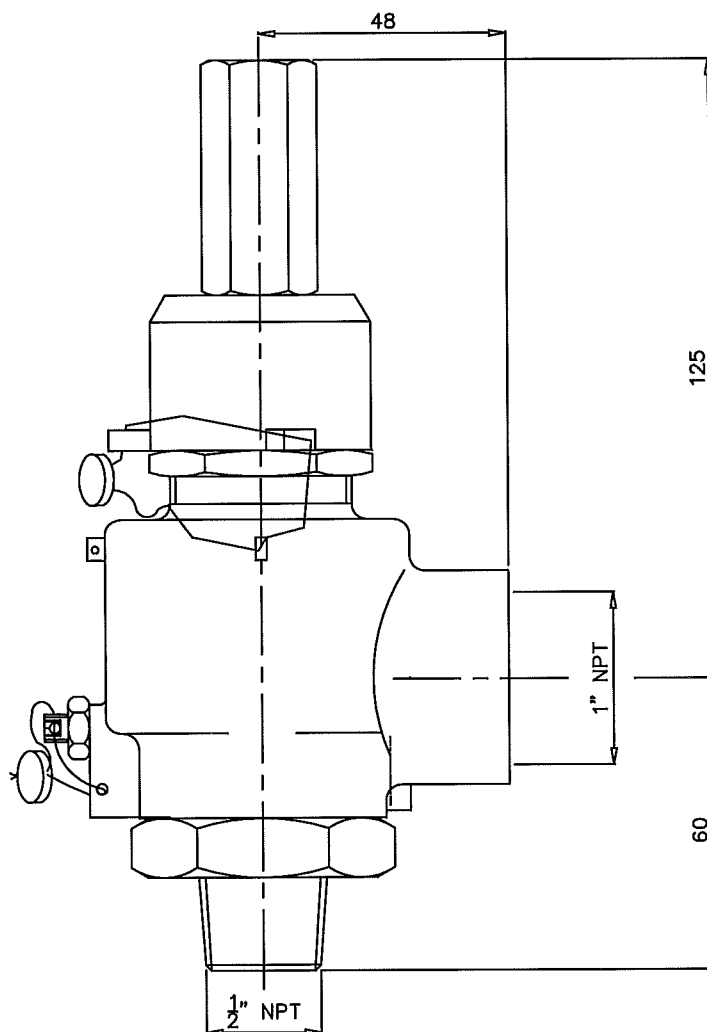


This drawing and the copyright therein are the property of BESTOBELL VALVES LIMITED, and all information which it contains is confidential. The drawing must not be reproduced or disclosed, nor must any information taken therefrom be disclosed, without the prior consent in writing of BESTOBELL VALVES LIMITED.

DO NOT SCALE - IF IN DOUBT ASK



TEMPERATURE RATING: -
-196°C TO 65°C

PRESSURE RATING :-
50 BAR

SET PRESSURE		
PSI	BAR	GA. NUMBER
25-40	1.72-2.76	CWT20LR05N00
40-54	2.76-3.72	CWT20LR12N00
54-80	3.72-5.51	CWT20LR17N00
80-112	5.51-7.70	CWT20LR25N00
112-149	7.70-10.30	CWT20LR32N00
149-220	10.30-15.20	CWT20LR38N00
220-290	15.20-20.00	CWT20LR48N00
290-435	20.00-30.00	CWT20LR53N00
435-580	30.00-40.00	CWT20LR63N00

DESCRIPTION	MATERIAL	QTY
BODY	S.S. ASTM A351 CF8M	1
SPINDLE ASSEMBLY		
DISC HOLDER	PHOS.BRZ PB102 BS2874	1
RETAINER	HI-TENSILE BRASS CZ114 BS.2874	1
SEAL	25% GRAPHITE FILLED PTFE TF7196	1
NUT, LOCK	LEADED BRASS CZ121 BS.2874	1
SEAT	S.S. BSEN10088-3 1.4401 (316)	1
CAP	S.S. BSEN10088-3 1.4401 (316)	1
CAP, ADJUSTING	S.S. BSEN10088-3 1.4401 (316)	1
BLOW DOWN RING	BSEN 1982 CC491K	1
SPRING	SS 302S26 BS2056	1
LABEL	ALUMINIUM LM4-M BS1490	1
TAG	LEAD	1
WIRE	COPPER BS2871	1
SCREW, SET	SS 303S15/16 (A2)	1
SCREW, SET	SS 303S15/16 (A2)	1
RIVET	SS 303S15/16 (A2)	1
NUT, LOCK	SS 316S31/33 (A4)	1
NUT, GLAND LOCKING	S.S. BSEN10088-3 1.4401 (316)	1

Bestobell Valves

TITLE	DN10 S.S. RELIEF VALVE BRZ INT. 1/2" NPT MALE INLET x 1" NPT FEMALE OUTLET		
BESTOBELL No.	SEE TABLE	DRAWN	SF
CUSTOMER No.	*	DATE	1/12/98
ISSUE No.	A	SCALE	NTS