

DRG. No.  
BL/D8012 INST

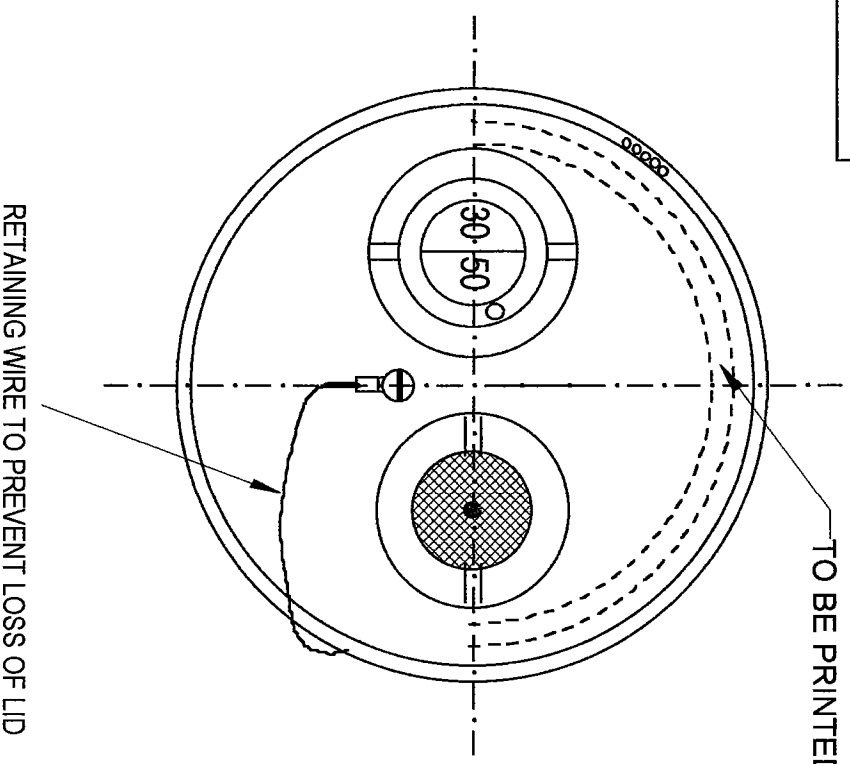
USED ON BL

**THIRD ANGLE PROJECTION**

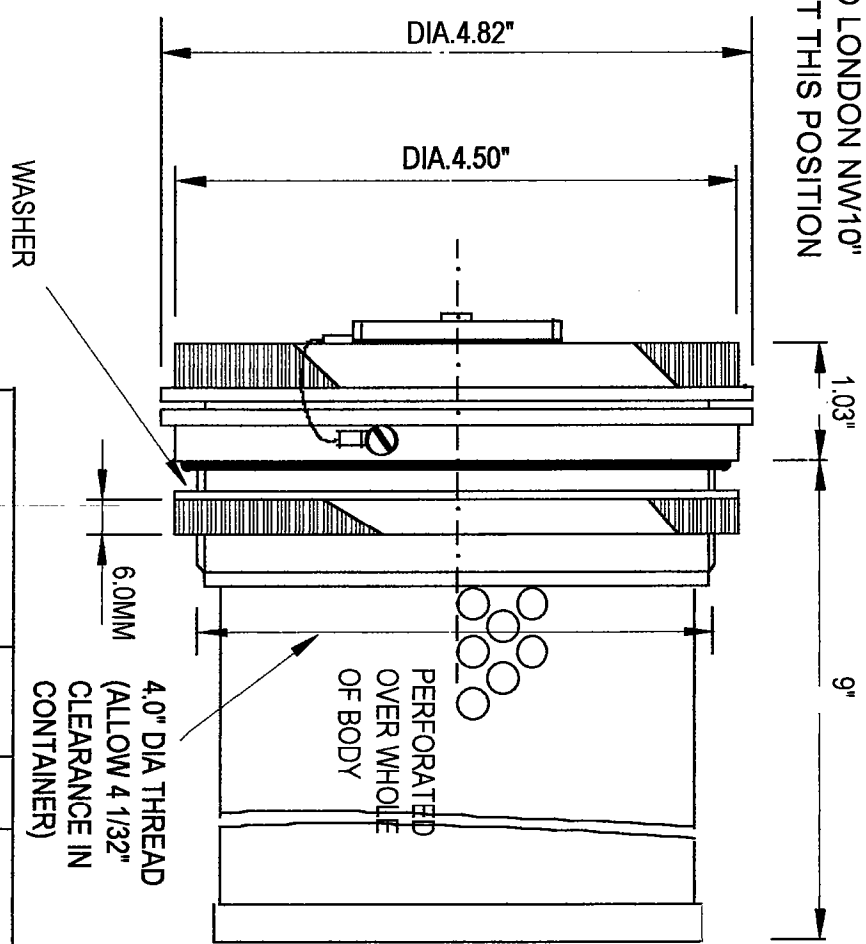
**DO NOT SCALE - ASK**

THIS DESIGN IS THE PROPERTY OF BROWNELL LTD AND MAY NOT BE REPRODUCED WITHOUT THEIR PRIOR WRITTEN PERMISSION

"DESICCANT PORT BLD8013."  
BROWNELL LIMITED LONDON NW10"  
TO BE PRINTED AT THIS POSITION



RETAINING WIRE TO PREVENT LOSS OF LID



WASHER

4.0" DIA THREAD  
(ALLOW 4 1/32"  
CLEARANCE IN  
CONTAINER)

PERFORATED  
OVER WHOLE  
OF BODY

<b>MATERIAL</b>	<b>PROTECTIVE TREATMENT</b>	<b>TOLERANCES</b>
BODY PERFORMANCE OTHER PARTS ALUMINIUM ALLOY	BODY PASSIVATED OTHER PARTS ANODISE TO DEF STAN 03-25/2 & DYE BLACK	EST. WT. DIMNS. IN INS. & MM. SCALE

**BROWNELL LTD. LONDON. NW10**

TITLE: DESICCANT PORT WITH 2 WAY VALVE, MANUAL RELIEF, HUMIDITY INDICATOR AND 1KG DESICCANT BASKET

CHANGE	MOD. No.	ISSUE	DATE
DRAWN NGH	CHECKED GGH		
DRAWING No.			
<b>BL/D8012 INST</b>			

ORIGINAL	1	21-8-98