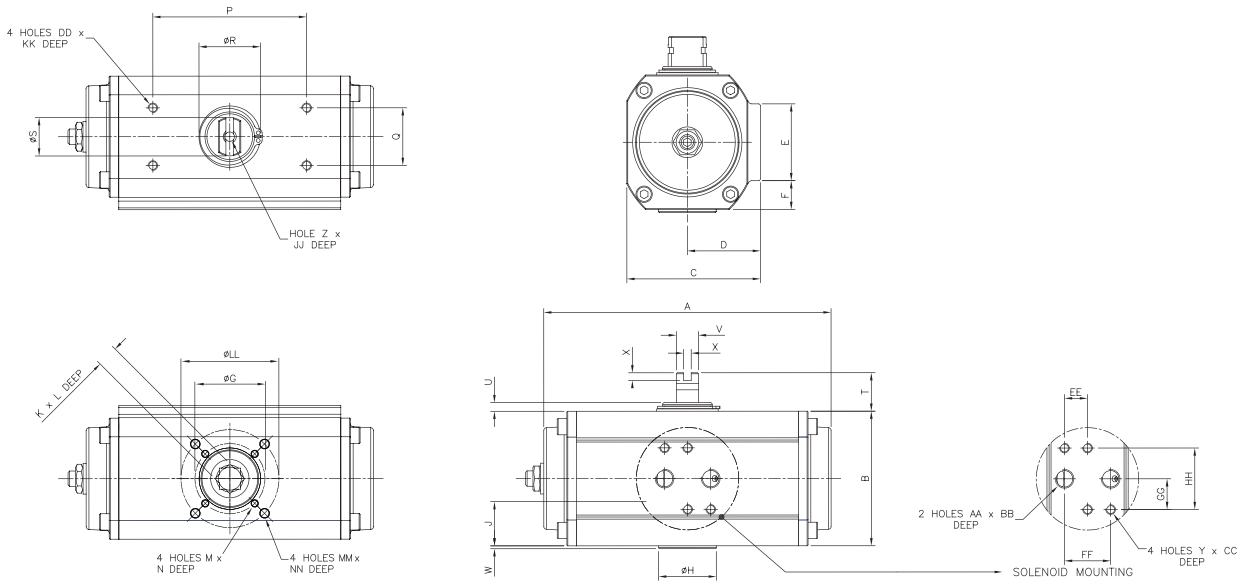


TruTorq Pneumatic Actuator Type S, Metric Size 3, 5 and 10

- Double acting (DA) and Spring Return (SR)
- Single End Stop Adjustment, open position



DIMENSIONS, METRIC (mm)

Actuator size	ISO	A	B	C	D	E	F	ØG	ØH	J	K	L	M	N	P	Q	ØR	ØS	T	U
TT 3	F04	149.5	70.0	69.5	38.0	49.0	10.5	36.0	30.0	23.0	11.0	11.0	M5	8.0	80.0	30.0	32.0	20.0	20.0	4.5
TT 5	F05/F07	186.5	87.0	90.5	49.0	49.0	22.0	50.0	35.0	34.5	14.0	15.0	M6	10.0	80.0	30.0	32.0	20.0	20.0	4.5
TT 10	F05/F07	206.0	118.0	113.0	59.0	43.0	8.0	50.0	35.0	29.5	14.0	19.0	M6	10.0	80.0	30.0	32.0	20.0	20.0	4.55

Actuator size	ISO	V	W	X	Y	Z	AA	BB	CC	DD	EE	FF	GG	HH	JJ	KK	ØLL	MM	NN
TT 3	F04	11.5	1.5	4.0	M5	M6	G1/8	10.0	8.0	M5	12.0	24.0	16.0	32.0	12.0	8.0	50.0	M6	10.0
TT 5	F05/F07	11.5	3.0	4.0	M5	M6	G1/8	10.0	8.0	M5	12.0	24.0	16.0	32.0	12.0	8.0	70.0	M8	12.0
TT 10	F05/F07	11.5	2.9	4.0	M5	M6	G1/8	10.0	8.0	M5	12.0	24.0	16.0	32.0	12.0	8.0	70.0	M8	13.0

TORQUE

Actuator size	Air Supply	DA Torque	SR Torque (Nm)				
	BAR	Nm	Air - Start	Air - End	Spring - Start	Spring - End	Spring Qty
TT 3	6	23	15	8	15	8	12
TT 5	6	50	32	18	32	18	12
TT 10	6	101	61	40	61	40	12

OPERATING DETAILS

Actuator size	Operating time (sec) *				Air consumption (litre)		Overall weight (kg)	
	DA Open	DA Close	SR Open	SR Close	Open	Close	DA	SR
TT 3	< 1	< 1	< 1	< 1	0.1	0.1	1.0	1.1
TT 5	< 1	< 1	< 1	< 1	0.2	0.3	1.8	1.9
TT 10	< 1	< 1	< 1	< 1	0.4	0.5	2.8	2.9

* Note! May be affected by air pipe diameter and type of solenoid valve