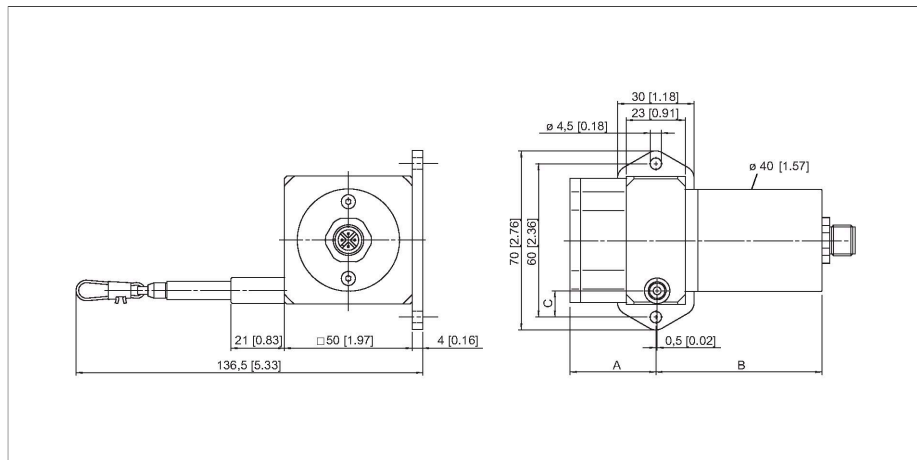


DW500-70-7E-H1441

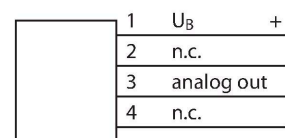
Draw-Wire – Analog



Features

- Measuring range up to 500mm
- M12 connector
- Protection class: IP65 (Encoder)
- Analog output, 4...20 mA
- Supply voltage 12...30 VDC

Wiring diagram

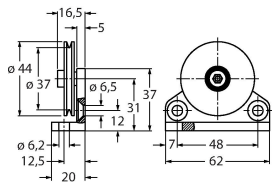


Technical data

Type	DW500-70-7E-H1441
ID	1544534
Remark to product	Turck description modified: previously DW...-H1441
Measuring range	500 mm
Linearity deviation	≤ 0.1 %
Operating voltage	12...30 VDC
Short-circuit protection	yes
Wire breakage/Reverse polarity protection	yes
Output function	4-pin, Analog output
Current output	4...20 mA
Design	Draw Wire
Housing material	Titanium anodized aluminium
min. extension force	3.4 N
max. extension force	4 N
max. extension speed	8 m/s
Pull acceleration max.	200 m/s ²
wire material	Stainless steel
Electrical connection	Connector, M12 × 1
Ambient temperature	-20...+60 °C
Protection class	IP65

Signal	+U _B	-	Analog out	-	-	-	-	-
Pin configuration	1	2	3	4	-	-	-	-

Accessories

RDR-1**1544753**

Deflection roller for aluminium draw-wire sensors