

Specification

Technical Data

Materials

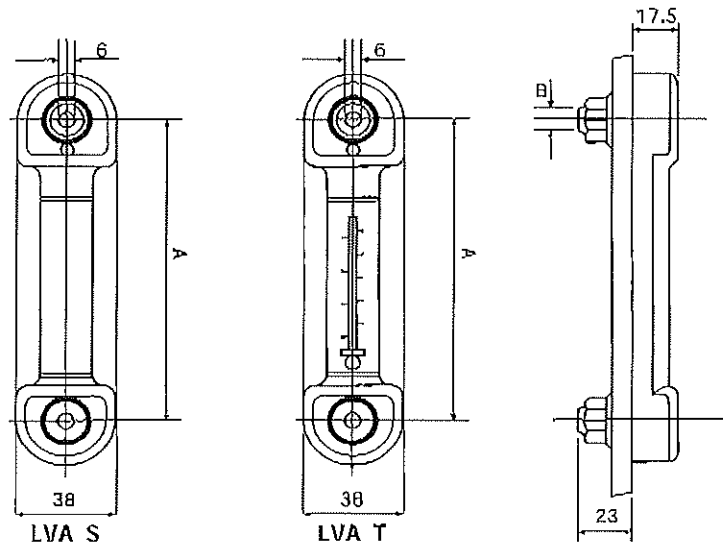
Cover	Aluminum
Seals	Standard
Viewing Glass	Trogamid plastic
Working Pressure	2 bar
Working Temperature	-30°C to +100°C
Tightening Torque	10 Nm maximum

Fluid Compatibility

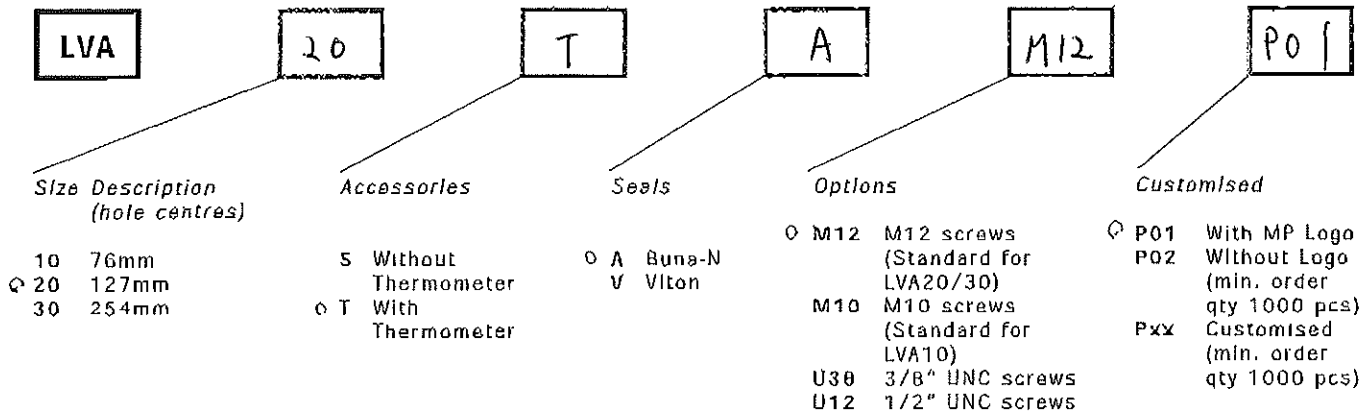
- Mineral Oils
- Synthetic fluids
- Water based emulsions
- Phosphate esters

Dimensions

Size	Dimensions	
	A	B
LVA 10	76	M10
LVA 20	127	M12
LVA 30	254	M12



Ordering information



Material specification

Hydraulic equipment Sa09056
Valve panel 09056VB1 and 09056VB2

Article no: 3SA09056

Part list

Drawing no: 3SA09056P&ID

Customer Dynasafe AB

Pos	Article no	Article name	Quantity	Remark
1	310HAN04000ES-RF	Tank Han-0400-ES-RF spålränna Elpa	1,00	Tank
2	903627	Nivåglas LVA-20-T-AM12-P01	1,00	Levsiglass
3	908844	Påfyln.lock TAP90RLD3AMOC120 3MIC	1,00	Filter cap
4	911119	Kolvump PVP-C-5073/1D	1,00	Piston pump
	902351	Gängfläns 3000 2" o-ring	1,00	Thread flange
	902353	Gängfläns 6000 1 1/4" o-ring	1,00	Thread flange
5:1	811955	Nav SPIDEX A42 GG kod K	1,00	Pump hub
5:2	903490	Kuggtrans SPIDEX stl 42 92 Sh.	1,00	Flexible element
5:3	905144	Nav SPIDEX A42 GG id 48 H7	1,00	Pump hub
6	907742	Mellanstycke RV 350/204275	1,00	Bell housing
7	922784	EM BLUSCK 18,5KW 1470Rpm400VD B35	1,00	Elmotor
	920050	Vib.dämpare C 75/36 A 65" HÄRD	4,00	Damper
8	907270	Tankm.filter MPF400-2-AG2/A10HBT	1,00	Return line filter
8:2	906970	Indikator EC (1,5 bar) elind växl.	1,00	Indicator
	906191	Filterinsats MF400-2-A10HB	0,00	Filter element
9	914257	Backventil RHZ 30 S G 1 1/4"	1,00	Non return valve
10	SLANG	Hydraulslang	1,00	Hose
11	922839	Tryckfilter FMP320-2-BAG2/A10N/S	1,00	Pressure filter
11:2	903794	Indikator E7 5 bar VXL elek.	1,00	Indicator
12	922572	11051008/427018082/427018082/0500	1,00	Hose
13	914365	Mätpipet DKSO 10	1,00	Nipple
14	906840	Tryckb.ventil RV12-28A-0-N-35	1,00	Pressure relief valve
	6803308171	Ventilhus 3-308171 12-1-3/4"	1,00	Valve housing
15	919411	Tryckgivare D7160bar 4-20mA G 1/2"	1,00	Pressure sensor
16	921911	Kuggtjulsump SNP2NN/011-R-N-01	1,00	Gear pump
	907730	Ansl.fläns 1 RG 1/2"	2,00	Flange
	906984	Packning plan för pumpar Grp 2	1,00	Gasket for pump grp.2