



- A PART OF ADDTECH GROUP

DATA SHEET

| | |
|------------|------------|
| Customer: | |
| Ref.: | |
| Order: | |
| Motor: | |
| Serial nr: | |
| Date: | 16-05-2017 |

ASYNCHRONOUS MOTOR 4A 802-6

Nameplate data:

Code: 113743

| Type: | 4A 802-6 | | | IP55 | F/B | Amb. temp.: Max. 40° | | |
|-------|----------|-----------|------|------|------|----------------------|------|------------|
| kW | Hz | V | A | Rpm | Cos | Eff. 100% | Duty | IE.class |
| 0,55 | 50 | 220-240 D | 2,78 | 880 | 0,72 | 65,5% | S1 | IE1-(Eff2) |
| 0,55 | 50 | 380-415 Y | 1,60 | 880 | 0,72 | 65,5% | | |
| 0,66 | 60 | 440-480 Y | 1,67 | 1056 | 0,72 | 65,0% | | |

Description:

| | |
|---------------------|------------|
| Mounting form: | B14 |
| Bearing DE: | 6204-2Z/C3 |
| Bearing NDE: | 6204-2Z/C3 |
| Weight - Kg.: | 10,5 |
| Heater: | No Heater |
| PTC: | No PTC |
| Kgm ² : | 0,0019 |
| Sound press.-db(A): | 45,0 |

Other:

| | |
|--|--|
| | |
| | |
| | |
| | |
| | |
| | |
| | |
| | |
| | |
| | |

Test data S1-duty, Amb.temp 40°C:

| | |
|---|------|
| Voltage - V: | 400 |
| Frequency - Hz: | 50 |
| Power - kW: | 0,55 |
| Full load speed - Rpm: | 880 |
| Full load current - A: | 1,60 |
| Full load power factor - Cos: | 0,72 |
| Locked rotor current - A: | 7,5 |
| Locked rotor factor - A _{st} /A _n : | 4,7 |

| | |
|---|-------|
| Efficiency 100% load - %: | 65,5% |
| Efficiency 75% load - %: | |
| Efficiency 50% load - %: | |
| Full load torque - Nm: | 6,0 |
| Locked rotor torque - Nm: | 12,5 |
| Locked rotor torque - Nm _{st} /Nm _n : | 2,1 |
| Max. Pull out torque - Nm: | 11,3 |
| Max. Pull out torque. - Nm _{st} /Nm _n : | 1,9 |

| Over load/speed test | kW | Hz | V | A | Rpm |
|---------------------------|------|----|-----------------------|------|------|
| Over load 160% - 15sec. | 0,88 | 50 | 400 | 2,56 | 880 |
| Over speed 125% - 2 min. | 0,55 | 63 | 400 | 1,60 | 1100 |
| H-Pot test voltage: 1800V | | | Temp. rise in stator: | | |

The motor is produced in accordance with following harmonized standards:

IEC60034-1, IEC60034-2, IEC60034-5, IEC60034-6, IEC60034-7, IEC60034-8, IEC60034-9
IEC60034-12, IEC60034-14, IEC60034-30, IEC60072.

Additional specifications in accordance with:

RINA - GL - LRS - BV - DNV - ABS - KR - RR - CCS - CCC - RMRS.

Bevi Group:

| | | | |
|-----------------------------|-------------|------------------|------------------|
| BEVI AB, Sweden | www.bevi.se | sales@bevi.se | +46 499 271 00 |
| BEVI Nord AB, Sweden | www.bevi.se | bevinord@bevi.se | +46 90 70 44 30 |
| BEVI A/S, Denmark | www.bevi.dk | bevi@bevi.dk | +45 39 67 36 05 |
| BEVI Norge A/S, Norway | www.bevi.no | info@bevi.no | +47 22 07 66 50 |
| BEVI Finland OY AB, Finland | www.bevi.fi | info@bevi.fi | +358 9 2709 1210 |
| BEVI Est Oü, Estonia | www.bevi.ee | bevi@bevi.ee | +372 6828 755 |
| BEVI UAB, Lithuania | www.bevi.lt | info@bevi.lt | +370 5 2611 112 |
| BEVI CHINA, China | www.bevi.cn | sales@bevi.cn | +86 21 5032 5200 |

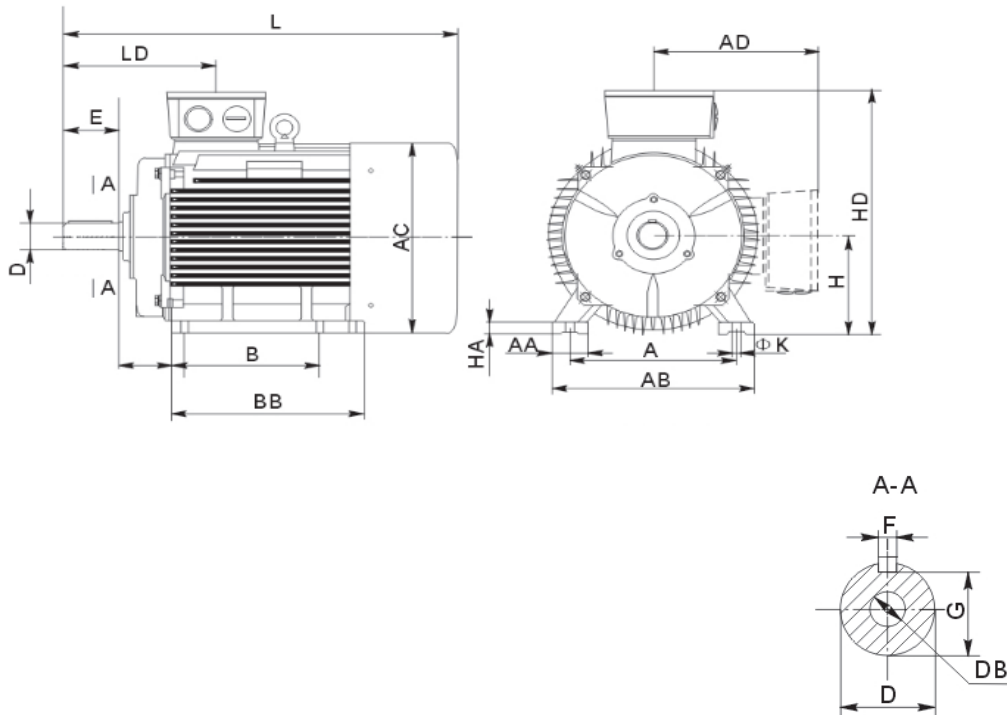


- A PART OF ADDTECH GROUP

DATA SHEET

| | |
|------------|------------|
| Customer: | |
| Ref.: | |
| Order: | |
| Motor: | |
| Serial nr: | |
| Date: | 16-05-2017 |

Foot mounted motor 4A 802-6 B3



| | | |
|-------------|---------|---------|
| A: 125 | HD: 215 | E: 40 |
| B: 100 | C: 50 | D: 19 |
| AB: 165 | H: 80 | G: 15,5 |
| AC: 175 | K: 10 | DB: M6 |
| AD: 134 | L: 287 | F: 6 |
| L (V1): 337 | | |

Bevi Group:

BEVI AB, Sweden
 BEVI Nord AB, Sweden
 BEVI A/S, Denmark
 BEVI Norge A/S, Norway
 BEVI Finland OY AB, Finland
 BEVI Est Oü, Estonia
 BEVI UAB, Lithuania
 BEVI CHINA, China

www.bevi.se
 www.bevi.se
 www.bevi.dk
 www.bevi.no
 www.bevi.fi
 www.bevi.ee
 www.bevi.lt
 www.bevi.cn

sales@bevi.se
 bevinord@bevi.se
 bevi@bevi.dk
 info@bevi.no
 info@bevi.fi
 bevi@bevi.ee
 info@bevi.lt
 sales@bevi.cn

+46 499 271 00
 +46 90 70 44 30
 +45 39 67 36 05
 +47 22 07 66 50
 +358 9 2709 1210
 +372 6828 755
 +370 5 2611 112
 +86 21 5032 5200

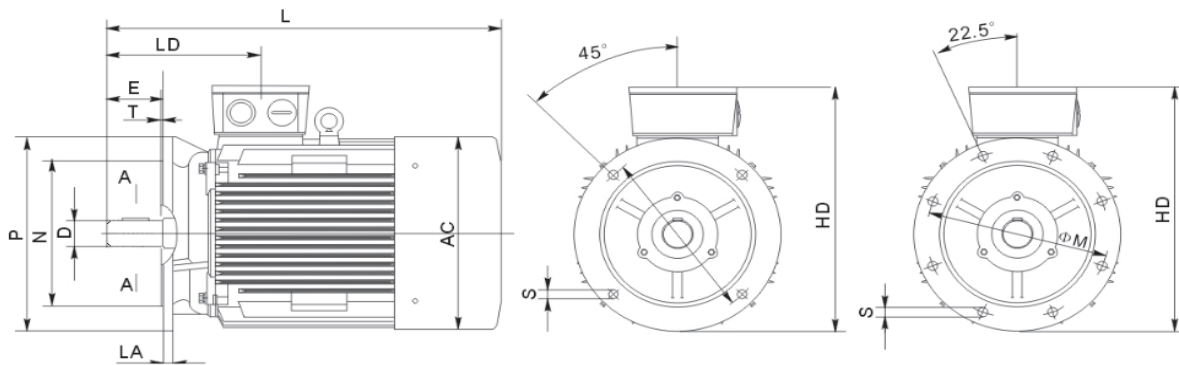


- A PART OF ADDTECH GROUP

DATA SHEET

| | |
|------------|------------|
| Customer: | |
| Ref.: | |
| Order: | |
| Motor: | |
| Serial nr: | |
| Date: | 16-05-2017 |

Flange mounted motor 4A 802-6 B5 (V1)



| | | |
|--------|-------------|---------|
| M: 165 | HD: 215 | E: 40 |
| N: 130 | L: 287 | D: 19 |
| P: 200 | L (V1): 337 | G: 15,5 |
| S: 12 | | DB: M6 |
| | | F: 6 |

Bevi Group:

BEVI AB, Sweden
 BEVI Nord AB, Sweden
 BEVI A/S, Denmark
 BEVI Norge A/S, Norway
 BEVI Finland OY AB, Finland
 BEVI Est Oü, Estonia
 BEVI UAB, Lithuania
 BEVI CHINA, China

www.bevi.se
www.bevi.se
www.bevi.dk
www.bevi.no
www.bevi.fi
www.bevi.ee
www.bevi.lt
www.bevi.cn

sales@bevi.se
bevinord@bevi.se
bevi@bevi.dk
info@bevi.no
info@bevi.fi
bevi@bevi.ee
info@bevi.lt
sales@bevi.cn

+46 499 271 00
 +46 90 70 44 30
 +45 39 67 36 05
 +47 22 07 66 50
 +358 9 2709 1210
 +372 6828 755
 +370 5 2611 112
 +86 21 5032 5200

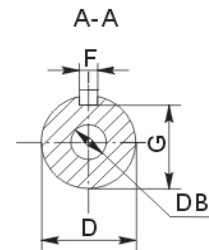
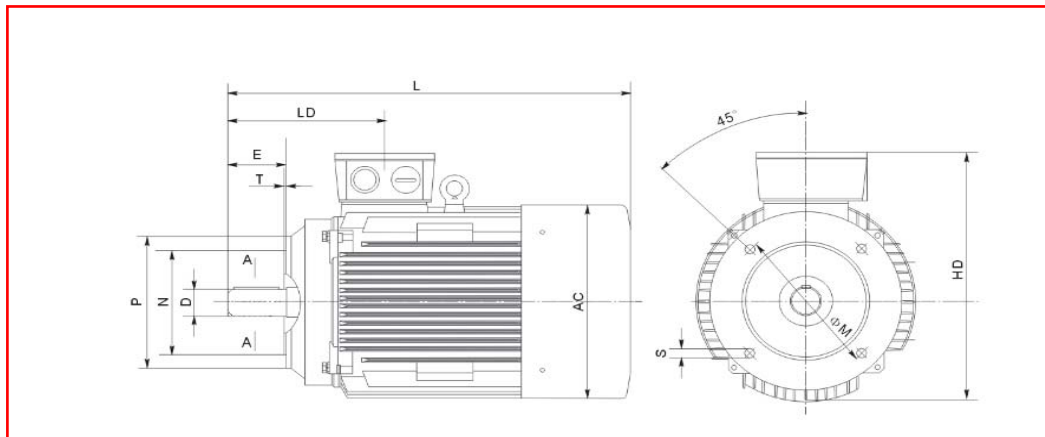


- A PART OF ADDTECH GROUP

DATA SHEET

| | |
|------------|------------|
| Customer: | |
| Ref.: | |
| Order: | |
| Motor: | |
| Serial nr: | |
| Date: | 16-05-2017 |

Flange mounted motor B14A & B14B



Flange type: B14A

| |
|--------|
| M: 100 |
| N: 80 |
| P: 120 |
| S: M6 |

B14B

| |
|-----|
| 130 |
| 110 |
| 160 |
| M8 |

| |
|-------------|
| HD: 215 |
| L: 287 |
| L (V1): 337 |

| |
|---------|
| E: 40 |
| D: 19 |
| G: 15,5 |
| DB: M6 |
| F: 6 |

Bevi Group:

BEVI AB, Sweden
 BEVI Nord AB, Sweden
 BEVI A/S, Denmark
 BEVI Norge A/S, Norway
 BEVI Finland OY AB, Finland
 BEVI Est Oü, Estonia
 BEVI UAB, Lithuania
 BEVI CHINA, China

www.bevi.se
 www.bevi.se
 www.bevi.dk
 www.bevi.no
 www.bevi.fi
 www.bevi.ee
 www.bevi.lt
 www.bevi.cn

sales@bevi.se
 bevinord@bevi.se
 bevi@bevi.dk
 info@bevi.no
 info@bevi.fi
 bevi@bevi.ee
 info@bevi.lt
 sales@bevi.cn

+46 499 271 00
 +46 90 70 44 30
 +45 39 67 36 05
 +47 22 07 66 50
 +358 9 2709 1210
 +372 6828 755
 +370 5 2611 112
 +86 21 5032 5200

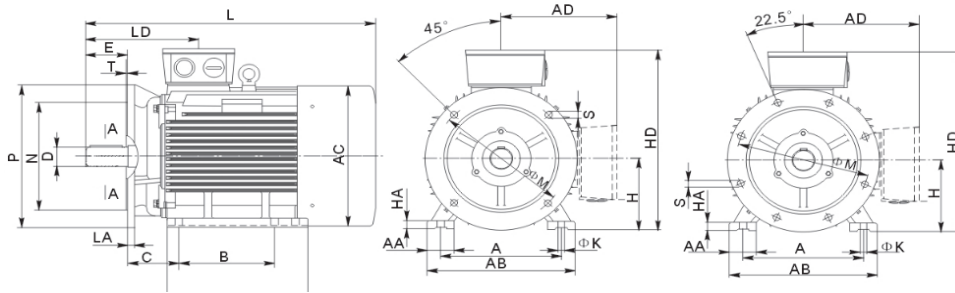


- A PART OF ADDTECH GROUP

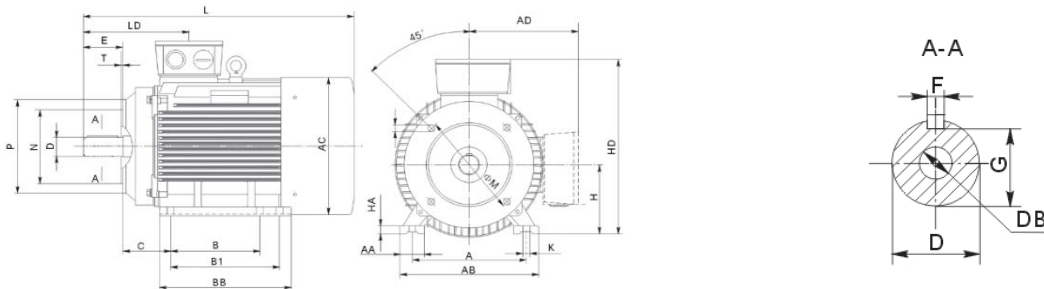
DATA SHEET

| | |
|------------|------------|
| Customer: | |
| Ref.: | |
| Order: | |
| Motor: | |
| Serial nr: | |
| Date: | 16-05-2017 |

Foot & flange mounted motor B3/B5



B3/B14A & B3/B14B



Flange type: B5

M: 165
N: 130
P: 200
S: 12

A: 125
B: 100
AB: 165
AC: 175
AD: 134

B14A

M: 100
N: 80
P: 120
S: M6

HD: 215
C: 50
H: 80
K: 10
L: 287

B14B

M: 130
N: 110
P: 160
S: M8

E: 40
D: 19
G: 15,5
DB: M6
F: 6

L (V1): 337

Bevi Group:

BEVI AB, Sweden
BEVI Nord AB, Sweden
BEVI A/S, Denmark
BEVI Norge A/S, Norway
BEVI Finland OY AB, Finland
BEVI Est Oü, Estonia
BEVI UAB, Lithuania
BEVI CHINA, China

www.bevi.se
www.bevi.se
www.bevi.dk
www.bevi.no
www.bevi.fi
www.bevi.ee
www.bevi.lt
www.bevi.cn

sales@bevi.se
bevinord@bevi.se
bevi@bevi.dk
info@bevi.no
info@bevi.fi
bevi@bevi.ee
info@bevi.lt
sales@bevi.cn

+46 499 271 00
+46 90 70 44 30
+45 39 67 36 05
+47 22 07 66 50
+358 9 2709 1210
+372 6828 755
+370 5 2611 112
+86 21 5032 5200