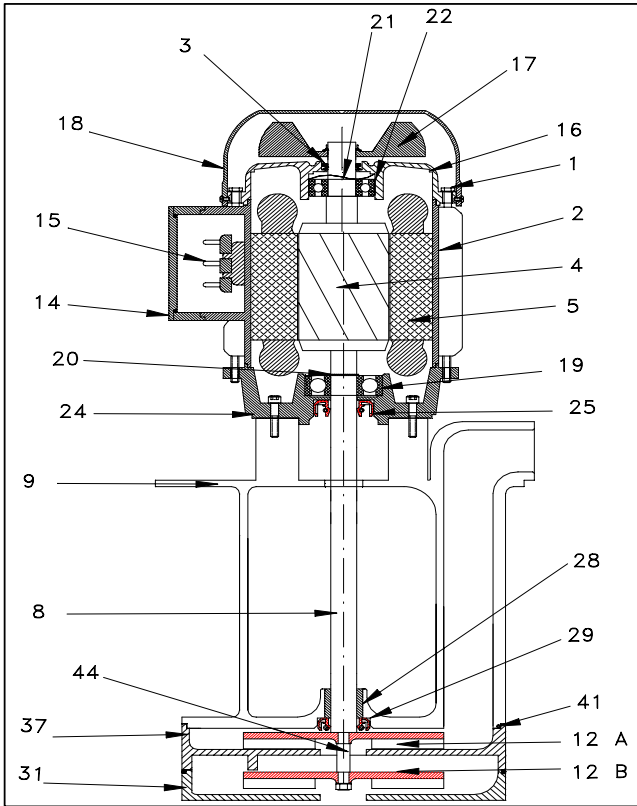
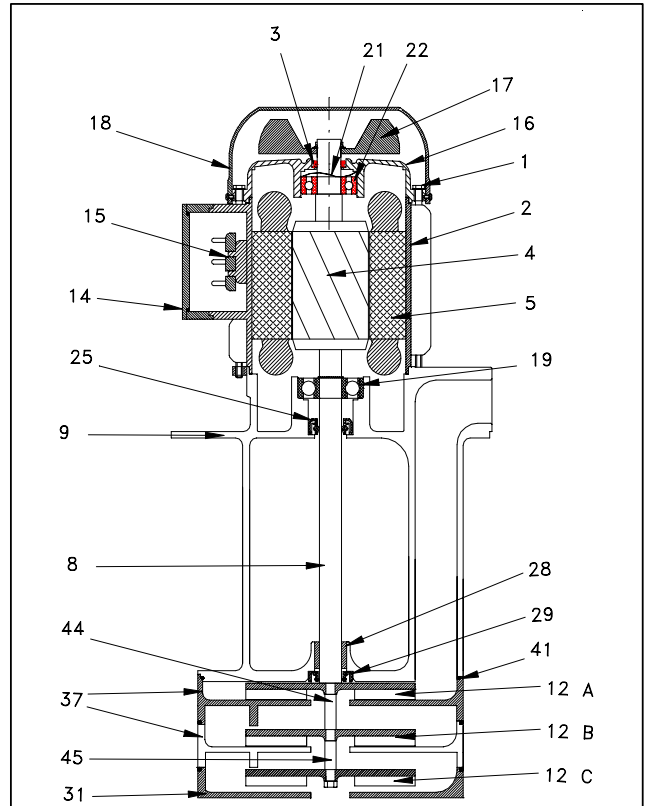


**MP 80 C**



**MP 90 B - 100 B**



MP 80 C	
Teile	Materialien
1	Schrauben Stahl
2	Mortorgehäuse Aluminium
3	V-Ring NBR ø 20
4	Rotor
5	Stator
8	Welle Stahl C 40**
9	Pumpenkörper Aluminium
12	Laufrad Messing 58
14	Klemmenkasten Nylon
15	Klemmenbrett mm. 50x32 6P
16	Lagerschild Aluminium
17	Lüfterflügel Nylon
18	Lüfterhaube Nylon***
19	Kugellager 6305 ZZ
21	Federscheibe ø 47
22	Kugellager 6204 ZZ
24	Motorflansch Aluminium
25	Simmerring NBR 25x40x7
28	Bronze-Hülse 23x20x20
29	Simmerring NBR 20x32x7
31	Fussdeckel Aluminium
37	Diffusor N. 1 Aluminium
41	O-Ring NBR 180X2
44	Distanzring Stahl 20X14X23,5
45	Distanzring

MP 90 B	MP 100 B
Materialien	Materialien
Stahl	Stahl
Aluminium	Aluminium
NBR ø 20	NBR ø 20
Stahl C 40**	Stahl C 40**
Aluminium	Aluminium
Messing 58	Messing 58
Nylon	Nylon
mm. 50x32 6P	mm. 50x32 6P
Aluminium	Aluminium
Nylon	Nylon
Nylon***	Nylon***
6305 ZZ	62207 2RS
ø 52	ø 62
6205 ZZ	6206 ZZ
Aluminium	Aluminium
NBR 25X47X7	NBR 35X47X7
23x20x20	23x20x20
NBR 20x32x7	NBR 20X32X5
Aluminium	Aluminium
N. 2 Aluminium	N. 2 Aluminium
NBR 180X2	NBR 180X2
Stahl 20X14X23	Stahl 20X14X21
Stahl 20X14X22	Stahl 20X14X21

**auf Anfrage**

Stahl Aisi 420

Blech

\*\*

\*\*\*