

**General Description**

Series C4V hydraulically pilot operated check valves allow free flow from A to B. The counter-flow direction is blocked.

When pressure is applied to control port X, the ring chamber flow from B to A is released.

Up to four different pilot control ratios are available (see Ordering Information).

Check valves allow free flow from A to B. The counter direction is blocked. The C4V series are equipped with a leak-free seat type cartridge.

**Operation**

When no pressure is applied to the X-port, the flow from B to A is blocked, because the pressure in B is also in effect on top of the poppet.

Pressurizing the X port relieves the area on top of the poppet to the drain port and allows flow from B to A.

The seat design of the C4V valve series provides leak-free separation of port A and B in the closed position.

**Features**

- High flow, low pressure drop design
- Minimal internal leakage

**Ordering Information**

**C4V**

Pilot Operated Check Valve

Size

**5**

Maximum Pressure  
350 Bar  
(5075 PSI)

**9**

Y1 Port  
G1/4"

Opening Ratio

Approximate Cracking Pressure

**B**

Design Series

Seal

Options Check with Factory

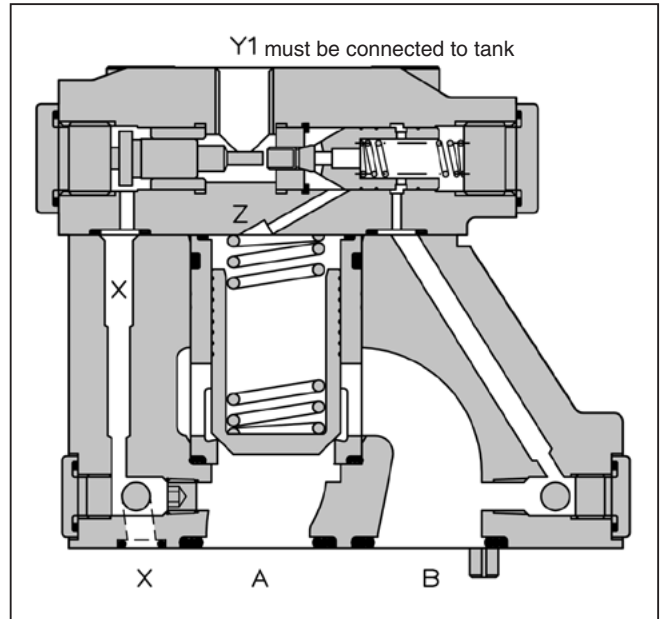
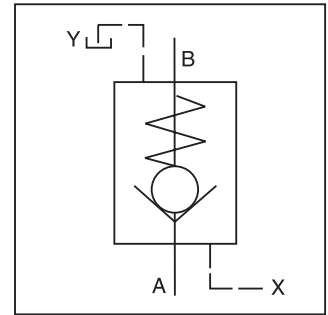
Code	Description
03	NG10
06	NG25
10	NG32

Code	Description
1	1:1
3	3:1
8	8:1
9	10:1

Code	Description
1	Nitrile
5	Fluorocarbon

**Weight:**

C4V03	2.8 kg (6.2 lbs)
C4V06	4.6 kg (10.1 lbs.)
C4V10	6.1 kg (13.5 lbs.)



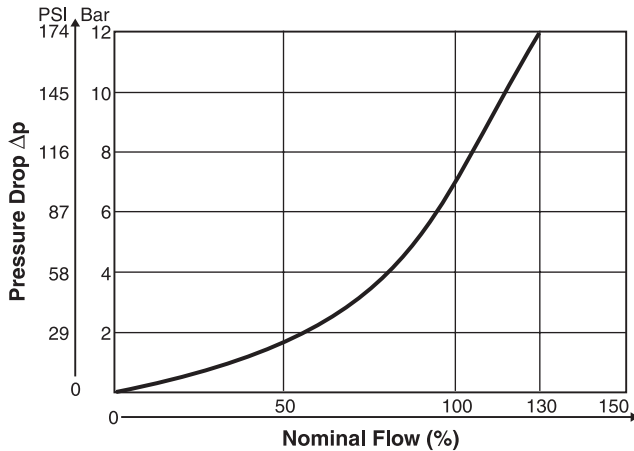
Code	Description	Flow A to B	Flow A to B
		<b>Flow A to B</b>	<b>Flow A to B</b>
		<b>C4V03</b>	<b>C4V06 / C4V10</b>
2	1.0 Bar (14.5 PSI)	1.0 Bar (14.5 PSI)	1.0 Bar (14.5 PSI)
4	4.0 Bar (58.0 PSI)	3.5 Bar (50.8 PSI)	3.5 Bar (50.8 PSI)
6	2.0 Bar (29.0 PSI)	2.2 Bar (31.9 PSI)	2.2 Bar (31.9 PSI)
		<b>Flow B to A</b>	<b>Flow B to A</b>
		<b>C4V03</b>	<b>C4V06 / C4V10</b>
2	1.5 Bar (21.8 PSI)	1.7 Bar (24.7 PSI)	1.7 Bar (24.7 PSI)
4	5.5 Bar (79.8 PSI)	6.0 Bar (87.0 PSI)	6.0 Bar (87.0 PSI)
6	3.0 Bar (43.5 PSI)	3.8 Bar (55.1 PSI)	3.8 Bar (55.1 PSI)

## Specifications

General				
Size	NG10		NG25	NG32
Subplate Mounting	ISO 5781			
Mounting Position	Unrestricted			
Ambient Temperature Range	-20°C to +80°C (-4°F to +176°F)			
Hydraulic				
Maximum Operating Pressure	350 Bar (5075 PSI)			
Nominal Flow	150 LPM (39.7 GPM)	270 LPM (71.4 GPM)	450 LPM (119.0 GPM)	
Fluid	Hydraulic oil to DIN 51524			
Viscosity	<b>Recommended Permitted</b>	30 to 50 cSt / mm <sup>2</sup> /s (139 to 232 SSU) 20 to 380 cSt / mm <sup>2</sup> /s (93 to 1761 SSU)		
Fluid Temperature	<b>Recommended Permitted</b>	+30°C to +50°C (86°F to +122°F) -20°C to +70°C (-4°F to +158°F)		
Filtration	ISO Class 4406 (1999) 18/16/13 (meet NAS 1638:7)			

**E**

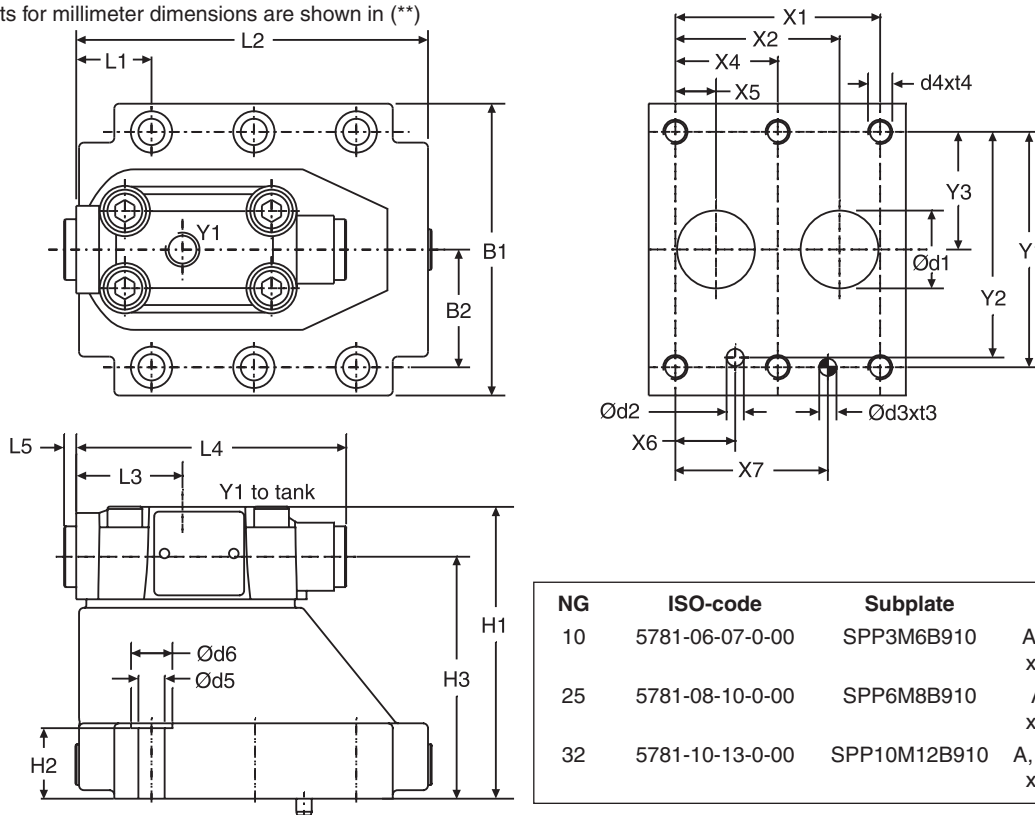
## Performance Curve



**Dimensions**

**Check Valves  
Series C4V (Pilot Operated)**

Inch equivalents for millimeter dimensions are shown in (\*\*)



NG	ISO-code	x1	x2	x3	x4	x5	x6	x7	y1	y2	y3	y4	y5	y6
10	5781-06-07-0-00	42.9 (1.69)	35.8 (1.41)	-	-	7.2 (0.28)	21.5 (0.85)	31.8 (1.25)	66.7 (2.63)	58.8 (2.31)	33.4 (1.31)	-	-	-
25	5781-08-10-0-00	60.3 (2.37)	49.2 (1.94)	-	-	11.1 (0.44)	20.6 (0.81)	44.5 (1.75)	79.4 (3.13)	73.0 (2.87)	39.7 (1.56)	-	-	-
32	5781-10-13-0-00	84.2 (3.31)	67.5 (2.66)	-	42.1 (1.66)	16.7 (0.66)	24.6 (0.97)	62.7 (2.47)	96.8 (3.81)	92.8 (3.65)	48.4 (1.91)	-	-	-

Tolerance for all dimensions ±0.2 mm (0.01 inches)

NG	ISO-code	B1	B2	H1	H2	H3	H4	H5	H6	L1	L2	L3	L4	L5	L6
10	5781-06-07-0-00	87.3 (3.44)	33.4 (1.31)	83.0 (3.27)	21.0 (0.83)	62.5 (2.46)	-	-	-	29.4 (1.16)	95.2 (3.75)	43.7 (1.72)	111.0 (4.37)	5.0 (0.20)	-
25	5781-08-10-0-00	105 (4.13)	39.7 (1.56)	109.5 (4.31)	29.0 (1.14)	89.0 (3.50)	-	-	-	35.1 (1.38)	127.2 (5.01)	43.7 (1.72)	111.0 (4.37)	5.0 (0.20)	-
32	5781-10-13-0-00	120 (4.72)	48.4 (1.91)	120.0 (4.72)	29.0 (1.14)	99.5 (3.92)	-	-	-	31.0 (1.22)	144.7 (5.70)	43.7 (1.72)	111.0 (4.37)	5.0 (0.20)	-

NG	ISO-code	d1max	d2max	d3	t3	d4	t4	d5	d6
10	5781-06-07-0-00	15.0 (0.59)	7.0 (0.28)	7.1 (0.28)	8.0 (0.31)	M10	16.0 (0.63)	10.8 (0.43)	17.0 (0.67)
25	5781-08-10-0-00	23.4 (0.92)	7.1 (0.28)	7.1 (0.28)	8.0 (0.31)	M10	18.0 (0.71)	10.8 (0.43)	17.0 (0.67)
32	5781-10-13-0-00	32.0 (1.26)	7.1 (0.28)	7.1 (0.28)	8.0 (0.31)	M10	20.0 (0.79)	10.8 (0.43)	17.0 (0.67)

NG	ISO-code	Bolt Kit			Seal Kit		Surface finish
					Nitrile	Fluorocarbon	
10	5781-06-07-0-00	BK505	4xM10 x 35 DIN 912 12.9	68 Nm (50.2 lb-ft) ±15%	S16-39362-0	S16-39362-5	
25	5781-08-10-0-00	BK485	4xM10 x 45 DIN 912 12.9	68 Nm (50.2 lb-ft) ±15%	S16-39364-0	S16-39364-5	
32	5781-10-13-0-00	BK506	6xM10 x 45 DIN 912 12.9	68 Nm (50.2 lb-ft) ±15%	S16-39366-0	SS16-39366-5	

